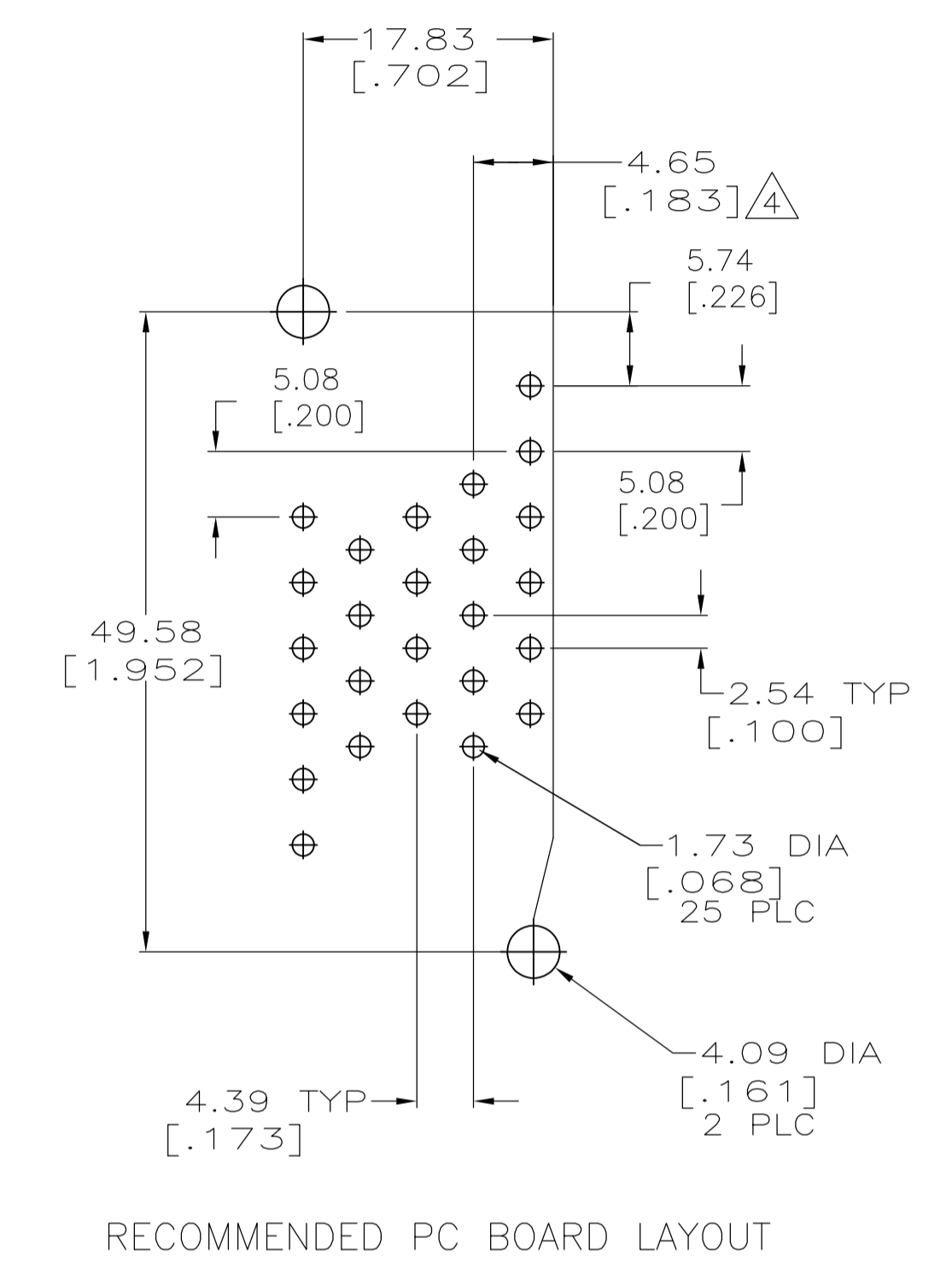
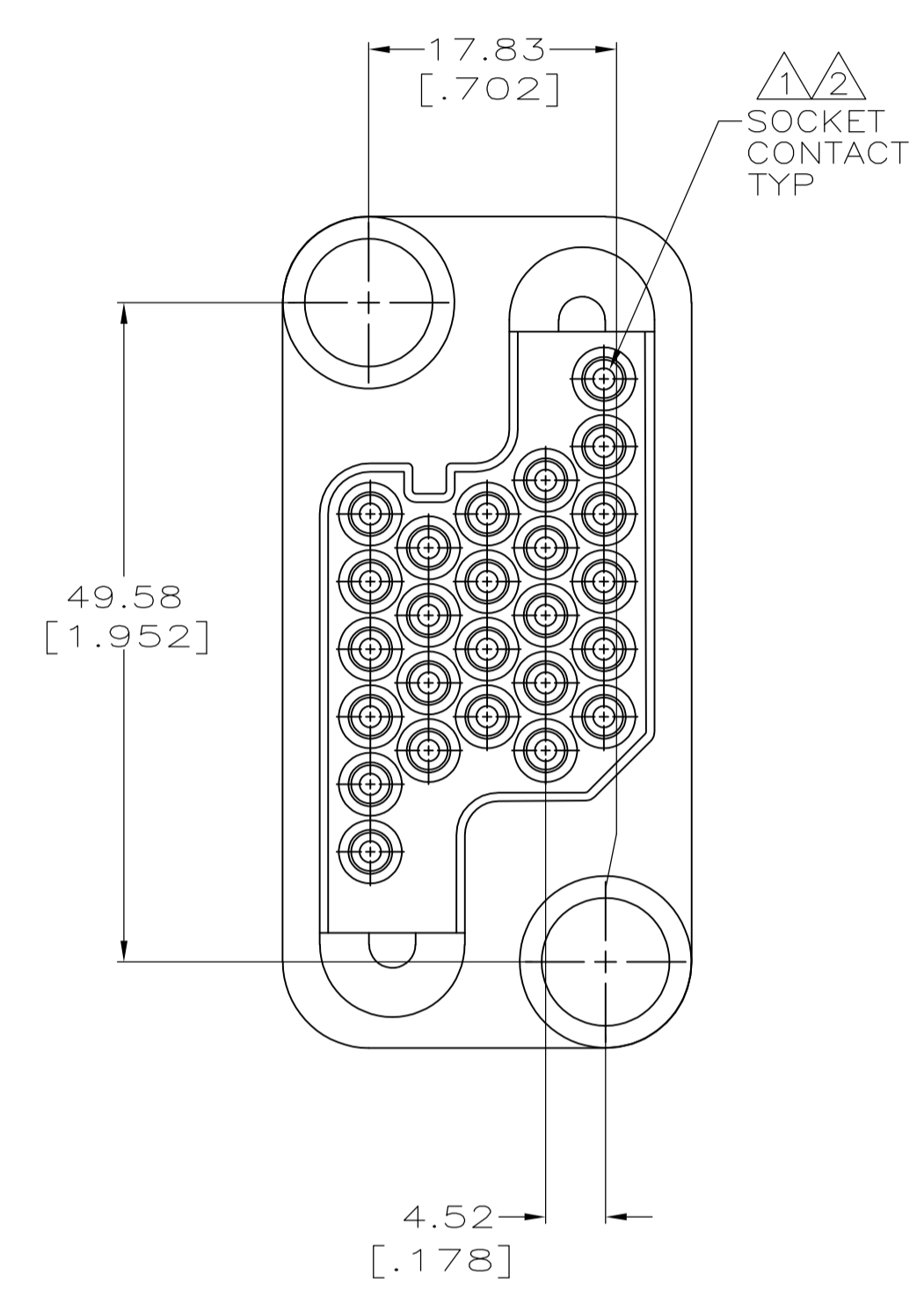
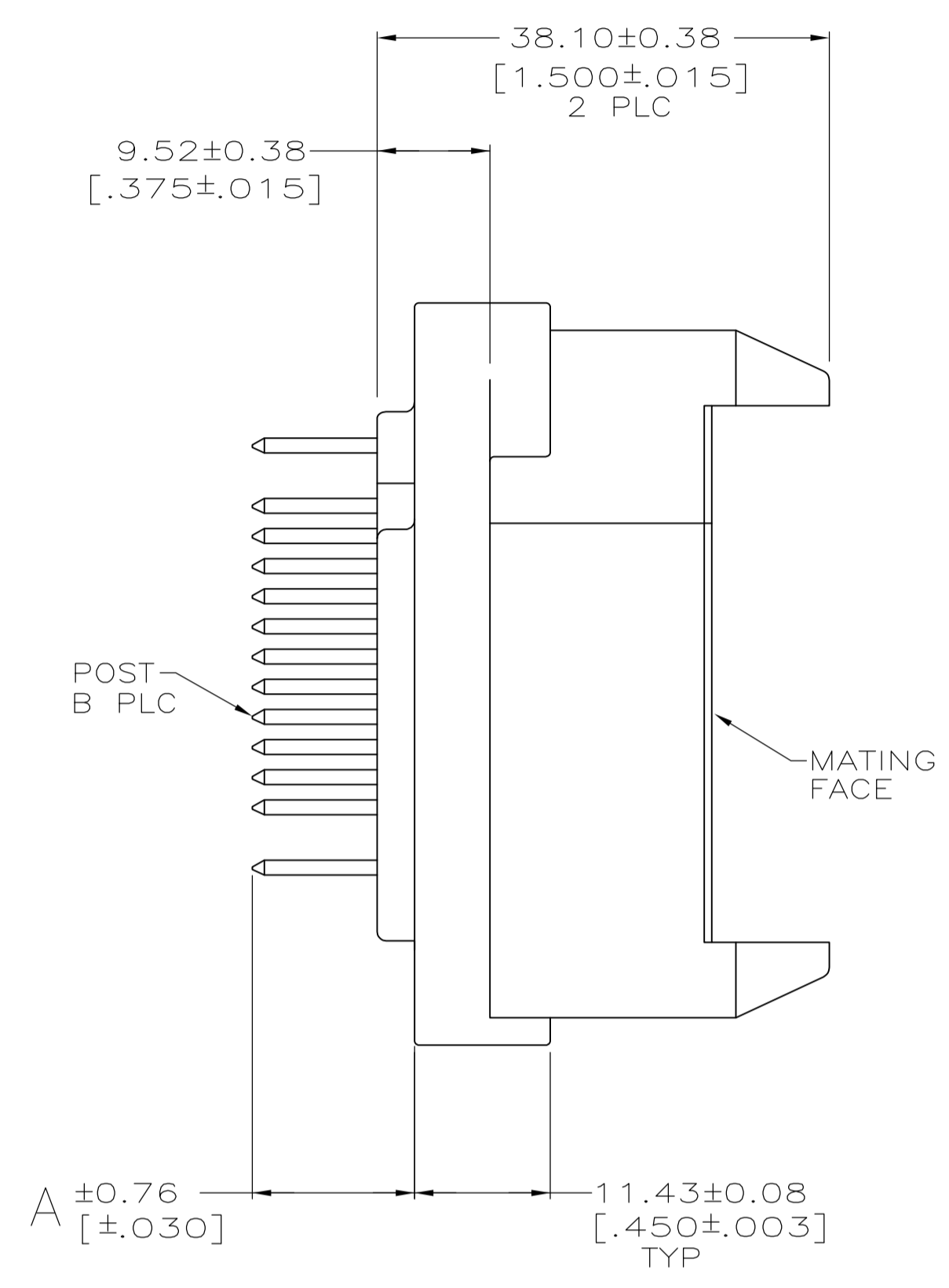
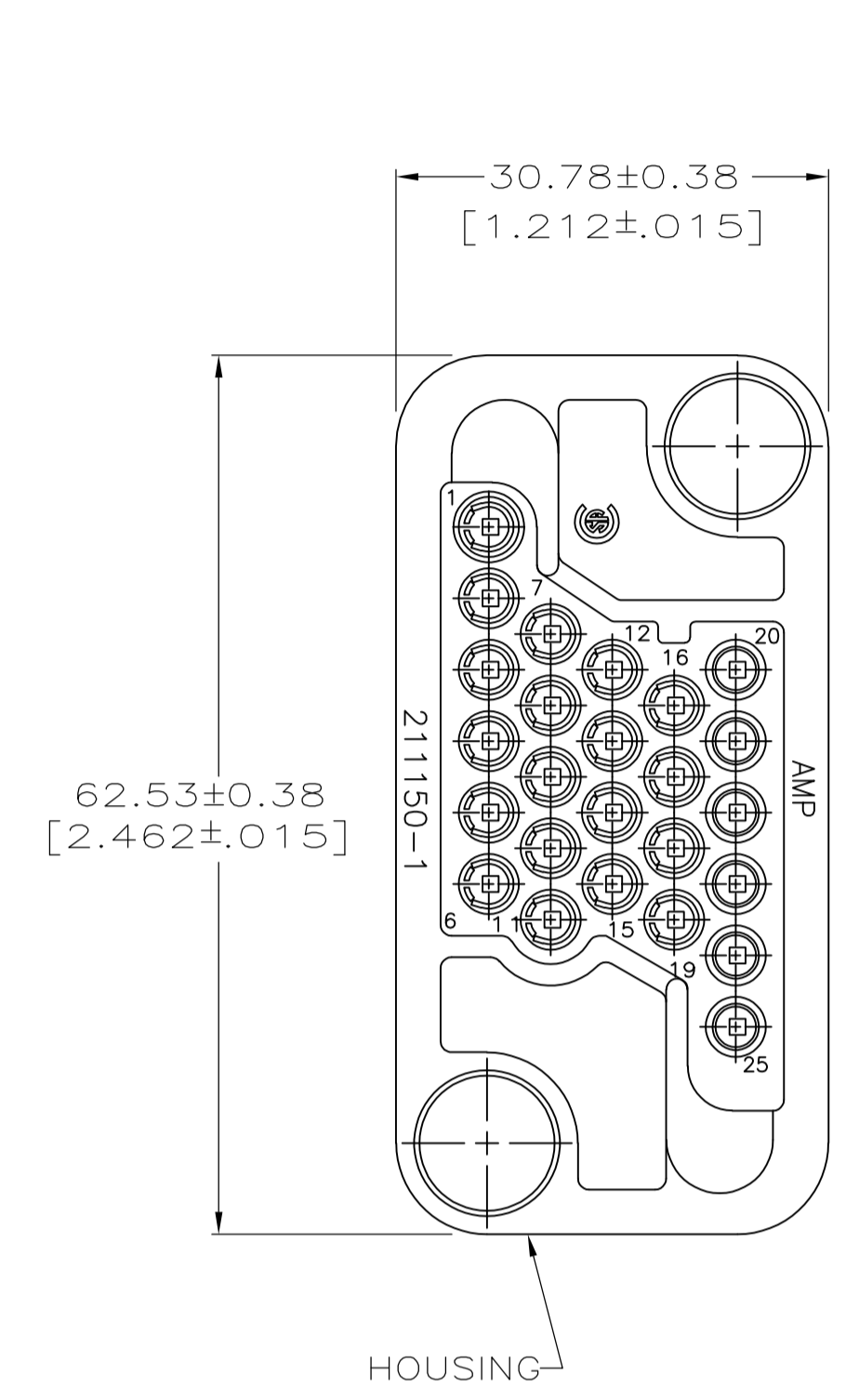


LOC		DIST		REVISIONS			
P	LTR	DESCRIPTION	DATE	DMN	APVD		
B		REVISED PER 063B-0230-05	4/28/05	SS	GS		
B1		REVISED PER ECO-09-022424	27AUG09	KK	AEG		



- ⚠ ALL POSITIONS LOADED WITH POSTED SOCKET CONTACTS EXCEPT 4,13,17,21, & 25.
- ⚠ SOCKET CONTACT: 0.76um[.000030] MIN GOLD FOR A LENGTH OF 5.08[.200] MIN FROM MATING END, GOLD FLASH ON THE REMAINDER, BOTH OVER 1.27um[.000050] MIN NICKEL ON SOCKET END. POST: 2.54um[.000100] MIN TIN-LEAD OVER 2.54um[.000100] MIN COPPER.
- 3. CONTACT ASSEMBLY SHOULD BE FULLY SEATED IN HOUSING PRIOR TO SOLDERING TO PRINTED CIRCUIT BOARD.
- ⚠ THIS DIMENSION HAS BEEN CHANGED FROM THE STANDARD MOUNTING DIMENSION BY 0.13[.005] DUE TO THE POSTED CONTACT.
- ⚠ HOUSING: POLYESTER, BLACK.  
SOCKET CONTACT: BRASS.  
SPRING: STAINLESS STEEL.  
POST: BRASS.
- ⚠ SOCKET CONTACT: 0.76um[.000030] MIN GOLD FOR A LENGTH OF 5.08[.200] MIN FROM MATING END, GOLD FLASH ON THE REMAINDER, BOTH OVER 1.27um[.000050] MIN NICKEL ON SOCKET END. POST: 2.54um[.000100] MIN TIN OVER 2.54um[.000100] MIN COPPER.
- ⚠ OBSOLETE PARTS: OBSOLETE CIS STREAMLINING PER D.RENAUD/D.SINISI

OBsolete	⚠	⚠ (20)	20	13.18 [.519]	213881-4
	⚠	FULLY (25)	25	9.40 [.370]	213881-3
OBsolete	⚠	⚠ (20)	20	13.18 [.519]	213881-2
	⚠	FULLY (25)	25	9.40 [.370]	213881-1
FINISH		CAVITIES LOADED	B	A	PART NUMBER

THIS DRAWING IS A CONTROLLED DOCUMENT.

DIMENSIONS: mm [INCHES]	TOLERANCES UNLESS OTHERWISE SPECIFIED:	DIN C. OBERMAN 5-30-95	Tyco Electronics Corporation Harrisburg, Pa 17105-3608
0 PLC ± -	1 PLC ± -	CIK R. STONE 5-30-95	NAME M. McALONIS
2 PLC ± 0.13 [.005]	3 PLC ± -	APVD M. McALONIS	PRODUCT SPEC
4 PLC ± -	ANGLES ± -	APPLICATION SPEC	SIZE CAGE CODE DRAWING NO
MATERIAL	FINISH	WEIGHT	A1 00779 C=213881
		CUSTOMER DRAWING	SCALE 2:1 SHEET 1 OF 1 REV B1