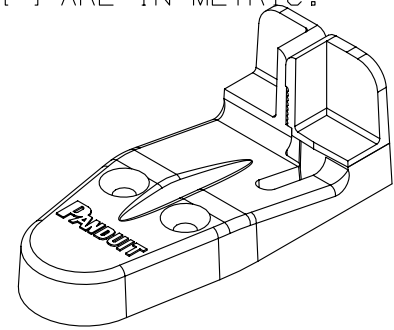
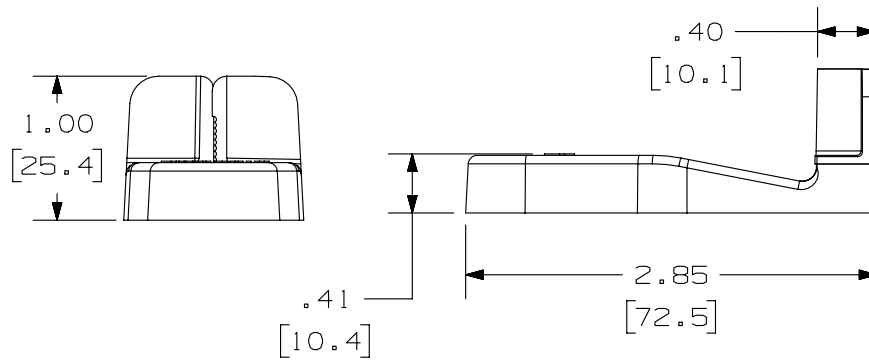
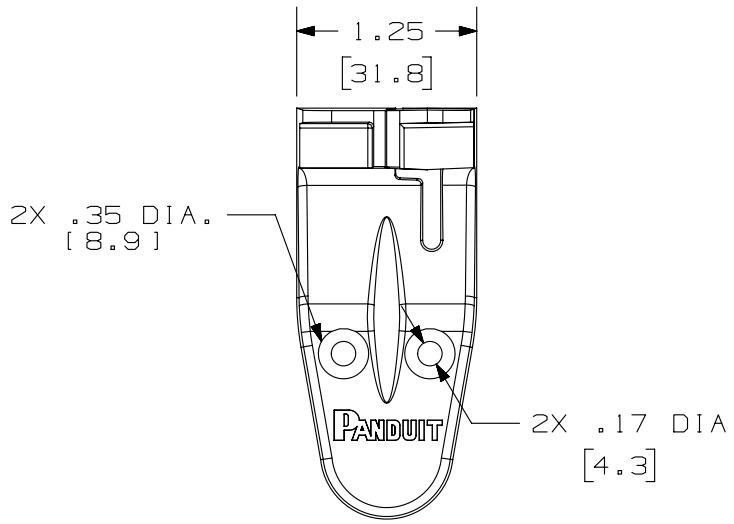


THIS COPY IS PROVIDED ON A RESTRICTED BASIS AND IS NOT TO BE USED IN ANY WAY DETRIMENTAL TO THE INTERESTS OF PANDUIT CORP.



| PANDUIT P/N | WEIGHT |
|-------------|-----------------------------------|
| WPT-8 | .26 LB/10 PCS. (118 G/10 PCS.) |

NOTES:

- SEE CURRENT CATALOG FOR ADDITIONAL PART NUMBER SUFFIXES TO INDICATE PACKAGE QUANTITY.
- SEE CATALOG FOR COMPLETE LIST OF PARTS APPLICABLE FOR USE WITH THIS PART.
- USED TO PREPARE 24 AWG COPPER CONDUCTORS FOR PLUG TERMINATION.
- THIS TOOL IS USED WITH THE MP588-L OR MP588-M. USED TO HELP HOLD THE WIRES FOR EASIER FEED THROUGH INTO MODULAR PLUG.
- DIMENSIONS IN [] ARE IN METRIC.

| | | | |
|---|---------|-------------------------|-------|
| PART NUMBER | | WPT-8 | |
| TITLE | | | |
| WIRE PREPERATION TOOL | | | |
| CUSTOMER DRAWING | | | |
| ITEM REVISION NAME | | D35558BH/00 | |
| DATASET FILE NAME | | D35558BH_DC_HTDRAFT/00A | |
| UNLESS OTHERWISE SPECIFIED, DIMENSIONAL TOLERANCES ARE: IN [mm] | | MATERIAL: | |
| .X ± .xxx ± .010 [.3] | | ABS | |
| .xx ± .03 [.8] | | DRAWING NUMBER: | |
| THIRD ANGLE PROJECTION | | 35558-08 | |
| DRAWN BY | DATE | CHK | SCALE |
| JBA | 7-03-97 | CEF | NONE |
| SHT 1 OF 1 | | A | |

| REV | DATE | BY | CHK | APR | DESCRIPTION | ECN |
|-----|---------|-----|------|-----|---------------------------------|----------|
| 1 | 5/21/14 | JSP | REFR | EJH | A. REVISED DRAWING TITLE BLOCK. | 35558-08 |
| R | 7-03-97 | JBA | CEF | CEF | RELEASED TO PRODUCTION | 35558-08 |

D10100DA/14