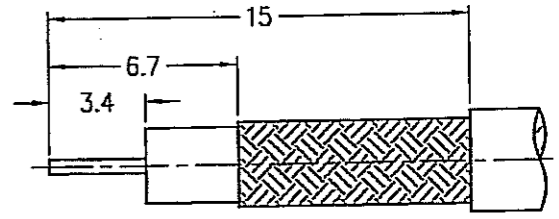
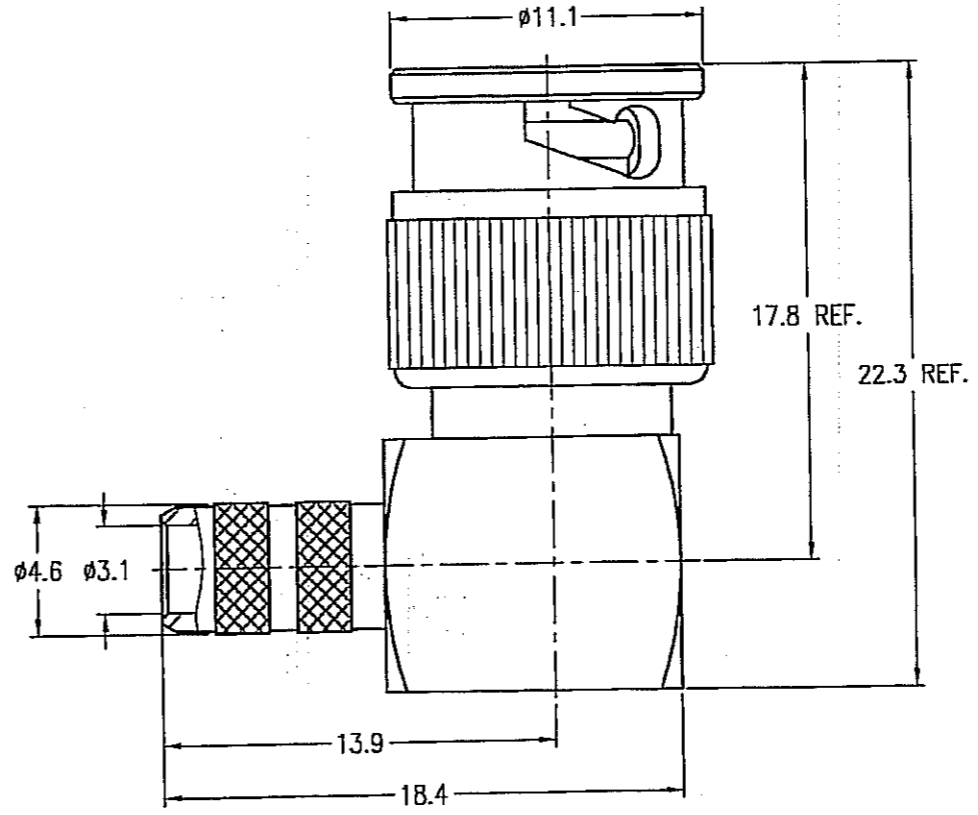
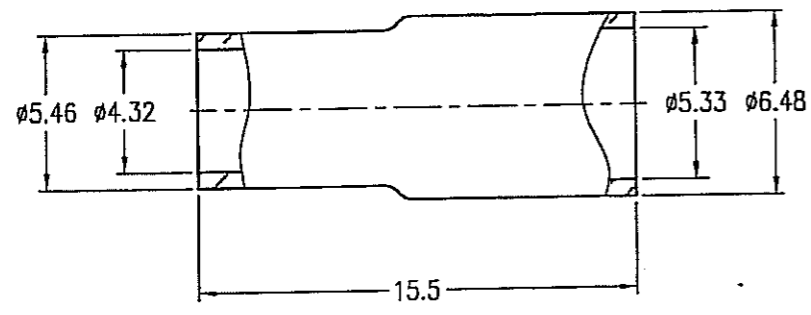


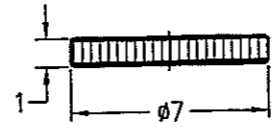
NOTES:

1. MATERIALS AND FINISHES(PLATING THICKNESS IN MICRO-INCHES):
 BODY - PHOSPHOR BRONZE, NICKEL PLATING
 CONTACT - BRASS, GOLD PLATING
 INSULATOR - PTFE
2. ELECTRICAL:
 A. IMPEDANCE: 75 OHM
 B. FREQUENCY RANGE: DC-1 GHz
 C. VSWR(RETURN LOSS): 1.5 MAX.
 D. DIELECTRIC WITHSTANDING VOLTAGE: 750 VRMS, MIN.
3. CRIMPED FERRULE
 HEX CRIMP SIZE .213"
 CONTACT PIN TO SOLDER

| | | | | |
|--------------------------|-----|-----------------|---------|------------|
| MNB1112A1-NT30G-1855A-75 | | REVISIONS | | |
| DRAWING NO. | REV | DESCRIPTION | DATE | ECO |
| THIRD ANGLE PROJ. | A | RELEASE TO MFG. | 9/15/06 | 46130 |
| | | | | APPR KL |



RECOMMENDED
CABLE STRIPPING DIM'S



CUSTOMER OUTLINE DRAWING
ALL OTHER SHEETS ARE FOR INTERNAL USE ONLY

GLOBAL P/N
31-70340

UNLESS OTHERWISE SPECIFIED, DIMENSIONS ARE IN METRIC AND TOLERANCES ARE:
 0.5 - 6mm ±0.1mm 6 - 30mm ±0.2mm 30 - 120mm ±0.3mm ANGLES ±1°

NOTICE - These drawings, specifications, or other data (1) are, and remain the property of Amphenol Corp. (2) must be returned upon request; and (3) are confidential and not to be disclosed to any person other than those to whom they are given by Amphenol Corp. The furnishing of these drawings, specifications, or other data by Amphenol Corp., or to any other person to anyone for any purpose is not to be regarded by implication or otherwise in any manner licensing, granting rights or permitting such holder or any other person to manufacture, use or sell any product, process or design, patented or otherwise, that may in any way be related to or disclosed by said drawings, specifications, or other data.

| | | | | |
|-----------|------------------------------------|--------------------------|--------------------------|--|
| MATERIAL | DRAWN | DATE | TITLE | Amphenol RF Danbury, CT, USA Tainan, Taiwan Shenzhen, China www.amphenolrf.com |
| | KATE | 09-Jun-06 | | |
| REFERENCE | ENGINEER | DATE | ITEM NO. 311112AAA17NC7F | SCALE: 3/1 |
| | [Signature] | 09-Jun-06 | | SHEET 2 OF 2 |
| FINISH | APPROVED | DATE | CODE ID | DWG SIZE |
| | [Signature] | 6/12/06 | 74868 | B |
| PART NO. | CAD FILE | DRAWING NO. | REV | |
| | F:\DWG\MNB\1112A1\1855A-75\NT30GSZ | MNB1112A1-NT30G-1855A-75 | A | |