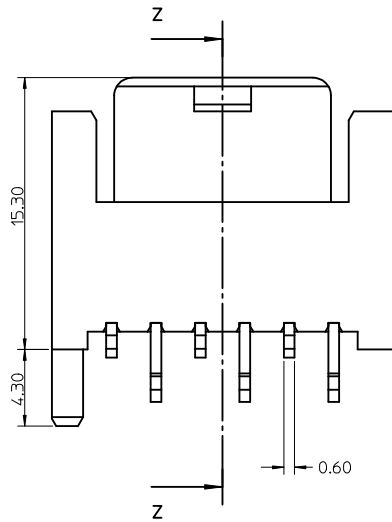
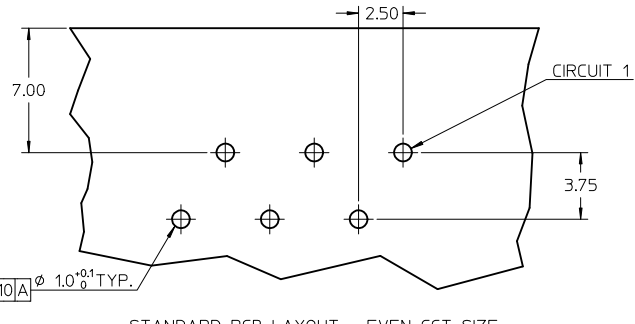


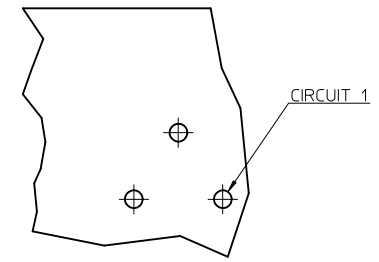
Z-Z



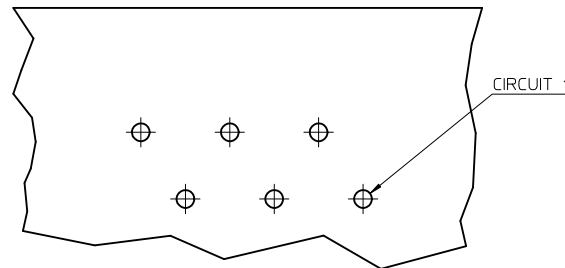
Z



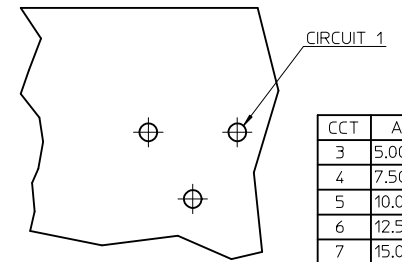
STANDARD PCB LAYOUT - EVEN CCT SIZE



STANDARD PCB LAYOUT - ODD CCT SIZE



OPPOSITE PCB LAYOUT - EVEN CCT SIZE



OPPOSITE PCB LAYOUT - ODD CCT SIZE

CCT	A	B	C
3	5.00	10.10	11.70
4	7.50	12.60	14.20
5	10.00	15.10	16.70
6	12.50	17.60	19.20
7	15.00	20.10	21.70
8	17.50	22.60	24.20
9	20.00	25.10	26.70
10	22.50	27.60	29.20
11	25.00	30.10	31.70
12	27.50	32.60	34.20
13	30.00	35.10	36.70
14	32.50	37.60	39.20
15	35.00	40.10	41.70

NOTES:

- MATERIAL: HOUSING - PA66 25% G/F, UL94 V-0
COLOUR: NATURAL
TERMINAL - BRASS
PLATING - 3-7um Sn over 1.27um Min Ni
- PARTS PACKED AS PER PK-90370-001
- PRODUCT SPECIFICATION: PS-93070-001
- RECOMMENDED PCB THICKNESS: 1.5+/-0.14mm

ADDED 93070-0011 EC NO: E2011-0284 DRAWN:BGOLDEN 2011/10/19 CHKD: APPR:BMAGUIRE 2011/10/05	QUALITY SYMBOLS	GENERAL TOLERANCES (UNLESS SPECIFIED)	DIMENSION STYLE	SCALE	DESIGN UNITS	THIRD ANGLE PROJECTION																										
	$\nabla=0$ $\nabla=0$	<table border="1"> <tr><th>mm</th><th>INCH</th></tr> <tr><td>4 PLACES ± ---</td><td>± ---</td></tr> <tr><td>3 PLACES ± 0.05</td><td>± ---</td></tr> <tr><td>2 PLACES ± 0.10</td><td>± ---</td></tr> <tr><td>1 PLACE ± 0.20</td><td>± ---</td></tr> </table>	mm	INCH	4 PLACES ± ---	± ---	3 PLACES ± 0.05	± ---	2 PLACES ± 0.10	± ---	1 PLACE ± 0.20	± ---	<table border="1"> <tr><th>mm ONLY</th><th>DATE</th></tr> <tr><td>DRAWN BY TITOURISH</td><td>2008/03/14</td></tr> <tr><td>CHECKED BY BRUTTLE</td><td>2008/03/14</td></tr> <tr><td>APPROVED BY BMAGUIRE</td><td>2011/10/05</td></tr> </table>	mm ONLY	DATE	DRAWN BY TITOURISH	2008/03/14	CHECKED BY BRUTTLE	2008/03/14	APPROVED BY BMAGUIRE	2011/10/05	5:1	METRIC	<table border="1"> <tr><td colspan="2">TITLE</td></tr> <tr><td colspan="2">RAST 2.5 APPLI-MATE</td></tr> <tr><td colspan="2">RIGHT ANGLE MALE HEADER</td></tr> <tr><td colspan="2">2.5 PITCH</td></tr> </table>	TITLE		RAST 2.5 APPLI-MATE		RIGHT ANGLE MALE HEADER		2.5 PITCH	
	mm	INCH																														
	4 PLACES ± ---	± ---																														
3 PLACES ± 0.05	± ---																															
2 PLACES ± 0.10	± ---																															
1 PLACE ± 0.20	± ---																															
mm ONLY	DATE																															
DRAWN BY TITOURISH	2008/03/14																															
CHECKED BY BRUTTLE	2008/03/14																															
APPROVED BY BMAGUIRE	2011/10/05																															
TITLE																																
RAST 2.5 APPLI-MATE																																
RIGHT ANGLE MALE HEADER																																
2.5 PITCH																																
DRAFT WHERE APPLICABLE MUST REMAIN WITHIN DIMENSIONS	SEE SHEET 2&3 SIZE A 2	MATERIAL NO. DOCUMENT NO. SD-93072-001	SHEET NO. 1 OF 4																													

3 CIRCUIT

MOLEX PART NO.	BLOCKED POSITION KEYS	TERMINAL VOID POSITION	CONFIGURATION	LATCH	CCT 1 LOCATION	
93072-0001	NONE	NONE		YES	STANDARD	
93072-0002	b d	NONE		YES	STANDARD	
93072-0003	b c	NONE		YES	STANDARD	
93072-0004	d	NONE		YES	STANDARD	
93072-0005	a	NONE		YES	STANDARD	
93072-0006	a b	NONE		YES	STANDARD	
93072-0007	a c	NONE		YES	STANDARD	
93072-0008	a d	NONE		YES	STANDARD	
93072-0009	c d	NONE		YES	STANDARD	
93072-0010	b	NONE		YES	STANDARD	
93072-0011	NONE	NONE		NO	STANDARD	
93072-0012	b d	NONE		YES	STANDARD	BLUE
93072-0013	b c	NONE		YES	STANDARD	RED
93072-0014	d	NONE		YES	STANDARD	GREEN
93072-0015	a	NONE		YES	STANDARD	BLACK

4 CIRCUIT

MOLEX PART NO.	BLOCKED POSITION KEYS	TERMINAL VOID POSITION	CONFIGURATION	LATCH	CCT 1 LOCATION	
93072-0501	NONE	NONE		YES	STANDARD	
93072-0502	b c	NONE		YES	STANDARD	
93072-0503	b c	CCT 4		YES	STANDARD	
93072-0504	c d	NONE		YES	STANDARD	
93072-0505	NONE	CCT 1		YES	STANDARD	
93072-0601	b c	NONE		YES	OPPOSITE	
93072-0506	b	NONE		YES	STANDARD	
93072-0507	c	NONE		YES	STANDARD	
93072-0508	d	NONE		YES	STANDARD	
93072-0509	a c d	NONE		YES	STANDARD	
93072-0510	b c d	NONE		YES	STANDARD	
93072-0511	b c d	NONE		YES	STANDARD	
93072-0512	d	NONE		YES	STANDARD	RED

5 CIRCUIT

MOLEX PART NO.	BLOCKED POSITION KEYS	TERMINAL VOID POSITION	CONFIGURATION	LATCH	CCT 1 LOCATION	
93072-1001	NONE	NONE		YES	STANDARD	
93072-1002	c d	NONE		YES	STANDARD	
93072-1003	a d f	NONE		YES	STANDARD	
93072-1101	NONE	NONE		YES	OPPOSITE	
93072-1004	d	NONE		YES	STANDARD	
93072-1005	a b e f	NONE		YES	STANDARD	
93072-1006	b c d e	NONE		YES	STANDARD	
93072-1007	c d	NONE		YES	STANDARD	RED
93072-1008	a b e f	NONE		YES	STANDARD	BLUE
93072-1009	b c d e	NONE		YES	STANDARD	GREEN

NOTES:
 1. + DENOTES TERMINAL VOIDED POSITION
 ● DENOTES TERMINAL LOADED POSITION

SEE SHEET 1 EC NO: E2011-0284 DRW: BOLDEN CHKD: APPR: BMAGUIRE	2011/10/05 DESCRIPTION	QUALITY SYMBOLS	GENERAL TOLERANCES (UNLESS SPECIFIED)	DIMENSION STYLE	SCALE	DESIGN UNITS	THIRD ANGLE PROJECTION		
		$\nabla=0$ $\nabla=0$	mm INCH 4 PLACES ± --- ± --- 3 PLACES ± 0.05 ± --- 2 PLACES ± 0.10 ± --- 1 PLACE ± 0.20 ± --- ANGULAR ± 2 °	M M ONLY DRAWN BY DATE T TOURISH 2008/03/14 CHECKED BY DATE BRUTTLE 2008/03/14 APPROVED BY DATE BMAGUIRE 2011/10/05	1:1	METRIC			
		DRAFT WHERE APPLICABLE MUST REMAIN WITHIN DIMENSIONS		SEE CHARTS	TITLE RAST 2.5 APPLI-MATE RIGHT ANGLE MALE HEADER 2.5 PITCH		MOLEX INCORPORATED DOCUMENT NO. SD-93072-001 SHEET NO. 2 OF 4		
		THIS DRAWING CONTAINS INFORMATION THAT IS PROPRIETARY TO MOLEX INCORPORATED AND SHOULD NOT BE USED WITHOUT WRITTEN PERMISSION							

6 CIRCUIT

MOLEX PART NO.	BLOCKED POSITION KEYS	TERMINAL VOID POSITION	CONFIGURATION	LATCH	CCT 1 LOCATION
93072-1501	NONE	NONE		YES	STANDARD
93072-1502	d f	CCT 2, 5		YES	STANDARD
93072-1503	c e	NONE		YES	STANDARD
93072-1505	d f	NONE		YES	STANDARD
93072-1506	b d f	CCT 4, 5		YES	STANDARD
93072-1507	NONE	CCT 2		YES	STANDARD
93072-1508	c f	CCT 2		YES	STANDARD
93072-1509	d	NONE		YES	STANDARD
93072-1510	a b c e f	NONE		YES	STANDARD
93072-1511	e f	NONE		YES	STANDARD
93072-1512	d f	NONE		YES	STANDARD GREEN

7 CIRCUIT

MOLEX PART NO.	BLOCKED POSITION KEYS	TERMINAL VOID POSITION	CONFIGURATION	LATCH	CCT 1 LOCATION
93072-2001	NONE	NONE		YES	STANDARD
93072-2002	a f	CCT 2, 6		YES	STANDARD
93072-2003	d g	CCT 4		YES	STANDARD
93072-2004	a e	CCT 4		YES	STANDARD
93072-2005	d f g	CCT 4		YES	STANDARD
93072-2006	a f	CCT 4		YES	STANDARD
93072-2007	a	NONE		YES	STANDARD
93072-2008	NONE	CCT 2		YES	STANDARD
93072-2009	a	CCT 4		YES	STANDARD
93072-2010	h	CCT 2		YES	STANDARD
93072-2011	b e g	NONE		YES	STANDARD
93072-2012	NONE	NONE		YES	STANDARD
93072-2007	h	CCT 2		YES	STANDARD

8 CIRCUIT

MOLEX PART NO.	BLOCKED POSITION KEYS	TERMINAL VOID POSITION	CONFIGURATION	LATCH	CCT 1 LOCATION
93072-2501	NONE	NONE		YES	STANDARD
93072-2502	c f h i	NONE		YES	STANDARD
93072-2503	b c d h i	CCT 4, 7		YES	STANDARD
93072-2601	NONE	CCT 4, 7		YES	OPPOSITE
93072-2504	b c d h i	NONE		YES	STANDARD

ENTER DESCRIPTION IEC NO: E2071-0284 DRAWN BY: DRWINGOLDEN CHKD: APPR: BMAGUIRE DATE: 2011/01/19 DESCRIPTION: 2011/10/05	QUALITY SYMBOLS	GENERAL TOLERANCES (UNLESS SPECIFIED)	DIMENSION STYLE	SCALE	DESIGN UNITS	FIRST ANGLE PROJECTION
	$\nabla=0$ $\nabla=0$	mm INCH 4 PLACES ± --- ± --- 3 PLACES ± 0.05 ± --- 2 PLACES ± 0.10 ± --- 1 PLACE ± 0.20 ± --- ANGULAR ± 2°	MM ONLY DRAWN BY: T. TOURISH DATE: 2008/03/14 CHECKED BY: BRUTTLE DATE: 2008/03/14 APPROVED BY: BMAGUIRE DATE: 2011/10/05	5:1	METRIC	
	DRAFT WHERE APPLICABLE MUST REMAIN WITHIN DIMENSIONS	SEE CHARTS	MATERIAL NO. SD-93072-001 DOCUMENT NO. 3 OF 4	TITLE: RAST 2.5 APPLI-MATE RIGHT ANGLE MALE HEADER 2.5 PITCH MOLEX INCORPORATED		
	THIS DRAWING CONTAINS INFORMATION THAT IS PROPRIETARY TO MOLEX INCORPORATED AND SHOULD NOT BE USED WITHOUT WRITTEN PERMISSION					

9 CIRCUIT

MOLEX PART NO.	BLOCKED POSITION KEYS	TERMINAL VOID POSITION	CONFIGURATION	LATCH	CCT 1 LOCATION
93072-3001	NONE	NONE		YES	STANDARD
93072-3002	ALL	CCT 2, 5, 8		YES	STANDARD
93072-3101	NONE	CCT 3, 5, 8		YES	OPPOSITE
93072-3003	c d e i j	CCT 3, 5, 8		YES	STANDARD
93072-3004	NONE	CCT 2, 5, 8		YES	STANDARD
93072-3005	b c d e f g i	CCT 3, 5, 8		YES	STANDARD

10 CIRCUIT

MOLEX PART NO.	BLOCKED POSITION KEYS	TERMINAL VOID POSITION	CONFIGURATION	LATCH	CCT 1 LOCATION
93072-3501	NONE	NONE		YES	STANDARD
93072-3502	NONE	CCT 2, 5, 7, 9		YES	STANDARD
93072-3503	a b d e f g i j	NONE		YES	STANDARD

11 CIRCUIT

MOLEX PART NO.	BLOCKED POSITION KEYS	TERMINAL VOID POSITION	CONFIGURATION	LATCH	CCT 1 LOCATION
93072-4001	NONE	NONE		YES	STANDARD

12 CIRCUIT

MOLEX PART NO.	BLOCKED POSITION KEYS	TERMINAL VOID POSITION	CONFIGURATION	LATCH	CCT 1 LOCATION
93072-4501	NONE	NONE		YES	STANDARD
93072-4502	NONE	CCT 2, 5, 8, 11		YES	STANDARD

13 CIRCUIT

MOLEX PART NO.	BLOCKED POSITION KEYS	TERMINAL VOID POSITION	CONFIGURATION	LATCH	CCT 1 LOCATION
93072-5001	NONE	NONE		YES	STANDARD
93072-5002	NONE	CCT 4, 6, 8, 10, 12		YES	STANDARD

14 CIRCUIT

MOLEX PART NO.	BLOCKED POSITION KEYS	TERMINAL VOID POSITION	CONFIGURATION	LATCH	CCT 1 LOCATION
93072-5501	NONE	NONE		YES	STANDARD

15 CIRCUIT

MOLEX PART NO.	BLOCKED POSITION KEYS	TERMINAL VOID POSITION	CONFIGURATION	LATCH	CCT 1 LOCATION
93072-6001	NONE	NONE		YES	STANDARD
93072-6002	o p	CCT 4, 6, 8, 10, 12, 14		YES	STANDARD
93072-6003	a d g i j n o p	NONE		YES	STANDARD

NOTES:
 1. + DENOTES TERMINAL VOIDED POSITION
 ⊕ DENOTES TERMINAL LOADED POSITION

SEE SHEET 1 SEC NO: E2011-0284 DRAWN BY: DRWINBOLDEN CHKD: A APPR: BMAGUIRE	2011/01/19	2011/10/05	QUALITY SYMBOLS ▽=0 ▽=0	GENERAL TOLERANCES (UNLESS SPECIFIED) mm INCH 4 PLACES ± --- ± --- 3 PLACES ± 0.05 ± --- 2 PLACES ± 0.10 ± --- 1 PLACE ± 0.20 ± --- ANGULAR ± 2°	DIMENSION STYLE MM ONLY	SCALE 1:1	DESIGN UNITS METRIC	THIRD ANGLE PROJECTION
	DRAWN BY DATE TOURISH 2008/03/14		CHECKED BY DATE BRUTTLE 2008/03/14		APPROVED BY DATE BMAGUIRE 2011/10/05		MATERIAL NO. SEE CHARTS	
	DRAWN BY DATE TOURISH 2008/03/14		CHECKED BY DATE BRUTTLE 2008/03/14		APPROVED BY DATE BMAGUIRE 2011/10/05		MATERIAL NO. SEE CHARTS	
	DRAWN BY DATE TOURISH 2008/03/14		CHECKED BY DATE BRUTTLE 2008/03/14		APPROVED BY DATE BMAGUIRE 2011/10/05		MATERIAL NO. SEE CHARTS	
DRAFT WHERE APPLICABLE MUST REMAIN WITHIN DIMENSIONS						THIS DRAWING CONTAINS INFORMATION THAT IS PROPRIETARY TO MOLEX INCORPORATED AND SHOULD NOT BE USED WITHOUT WRITTEN PERMISSION		

RAST 2.5 APPLI-MATE
 RIGHT ANGLE MALE HEADER
 2.5 PITCH

MOLEX INCORPORATED
 SD-93072-001
 SHEET NO. 4 OF 4