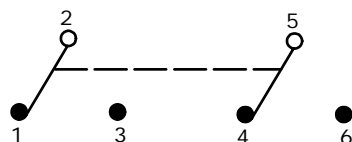


SWITCH FUNCTION		
POS. 1	POS. 2	POS. 3
(ON)	OFF	(ON)
2-3, 5-6	OPEN	2-1, 5-4

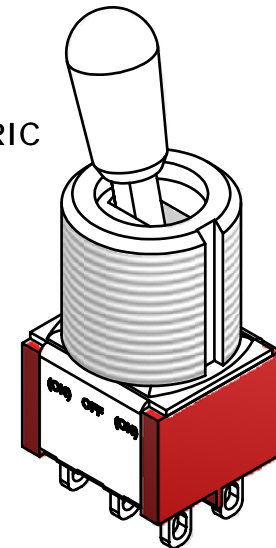
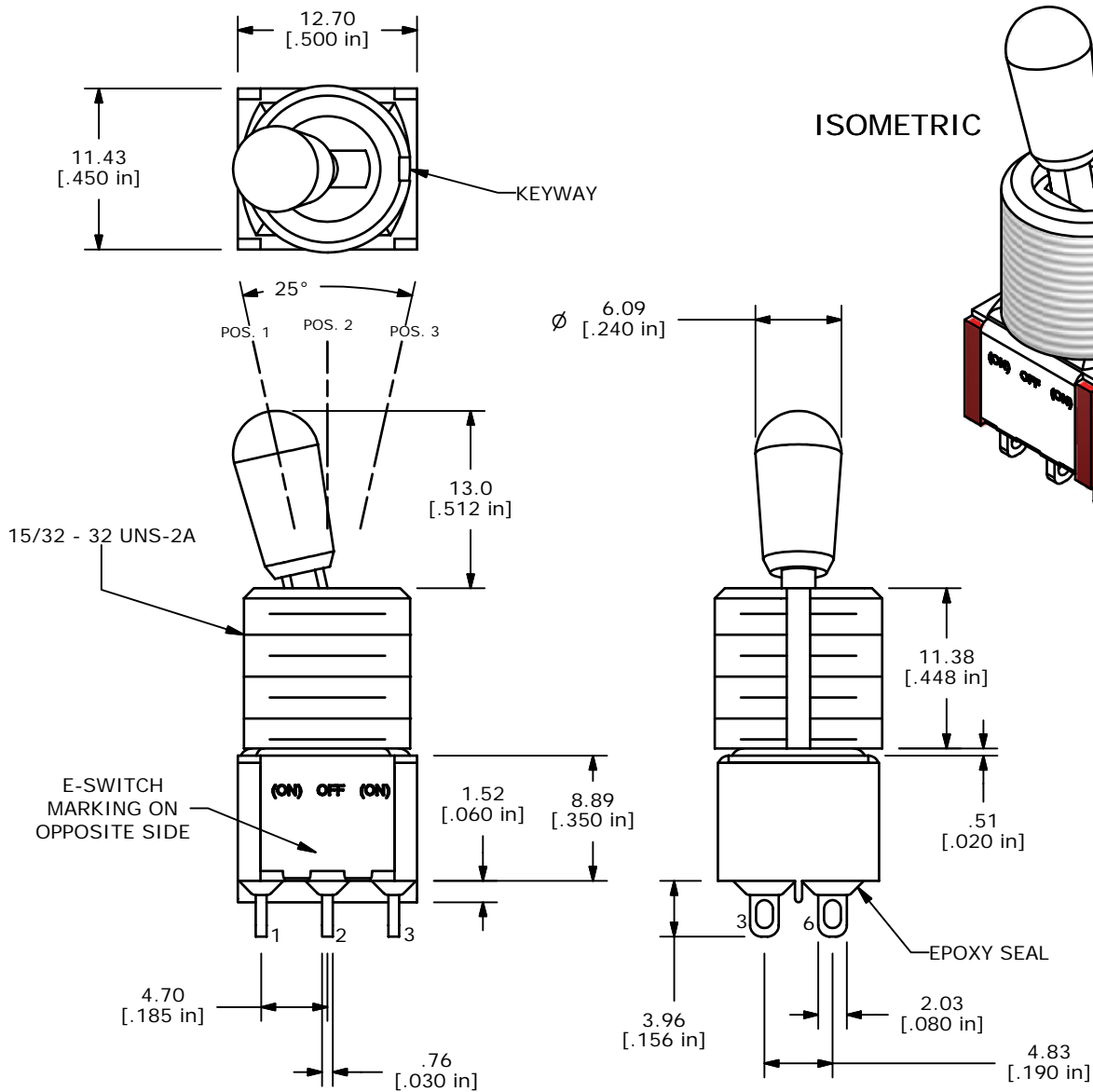
(ON) = MOMENTARY



CIRCUIT: DPDT

NOTE:

1. ALL DIMENSIONS IN MM [INCH]
2. GENERAL TOLERANCE: X.X=±0.4
X.XX=±0.25
3. TERMINAL NUMBERS FOR REF ONLY
4. CONTACT MATERIAL: SILVER
- ▲ 5. RATING: 5A W/RESISTIVE LOAD @120VAC OR 28 VDC
2A W/RESISTIVE LOAD @250VAC
6. ELECTRIC LIFE: 40,000 make-and-break cycles at full load.
7. INSULATION RESISTANCE: 1,000 Mega-ohm min.
8. DIELECTRIC STRENGTH: 1,000 V RMS @sea level.
9. OPERATING TEMP.: -30°C to 85°C
10. ▲ DENOTES CRITICAL PARAMETER.
11. 2002/95/EC (ROHS) COMPLIANT
- ▲ 12. HARDWARE TO BE SUPPLIED IN BULK:
T100012 - LOCKWASHER QTY-1
T100003 - LOCKRING QTY-1
T100004 - HEX NUT QTY-2



ISOMETRIC



B	17886	CORRECT DRAWING TITLE, MODEL	12/4/07	BLR
A	17873	RELEASE HARDWARE VERSION	11/28/07	BLR
REV	PCR NO	DESCRIPTION	DATE	BY

TITLE 100DP4T7B13M1QE H				
SCALE	DATE	DR	DWG	REV
2:1	12/4/2007	BLR	ST124005	B

THE INFORMATION CONTAINED IN THIS DOCUMENT IS PROPRIETARY TO E-SWITCH AND IS NOT TO BE COPIED OR TRANSFERRED