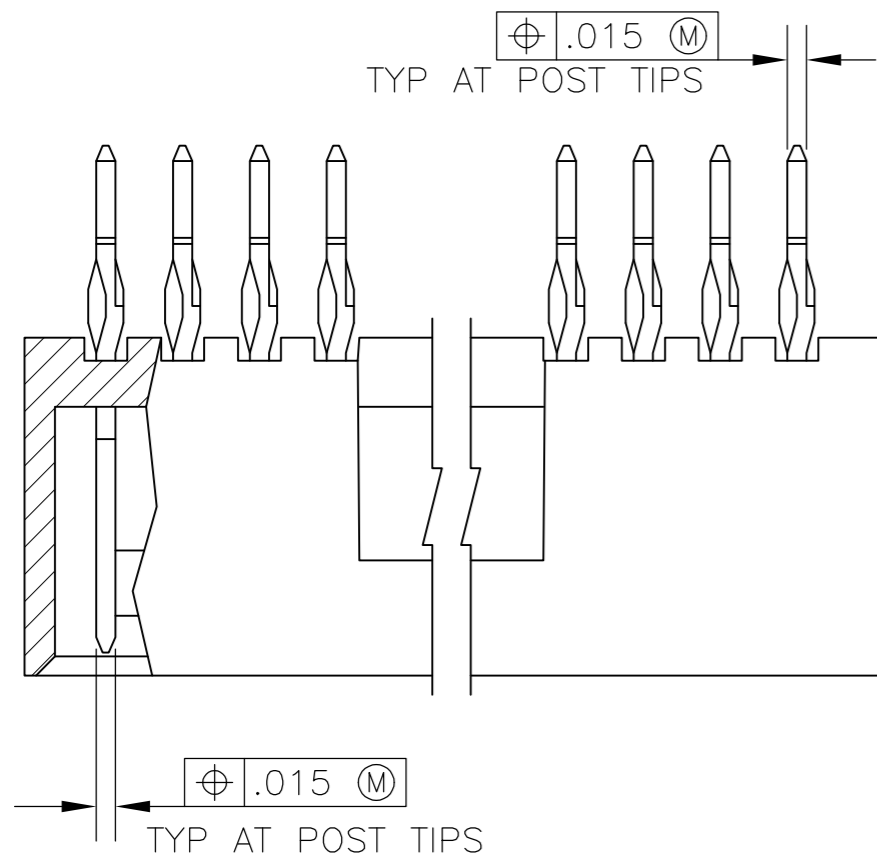
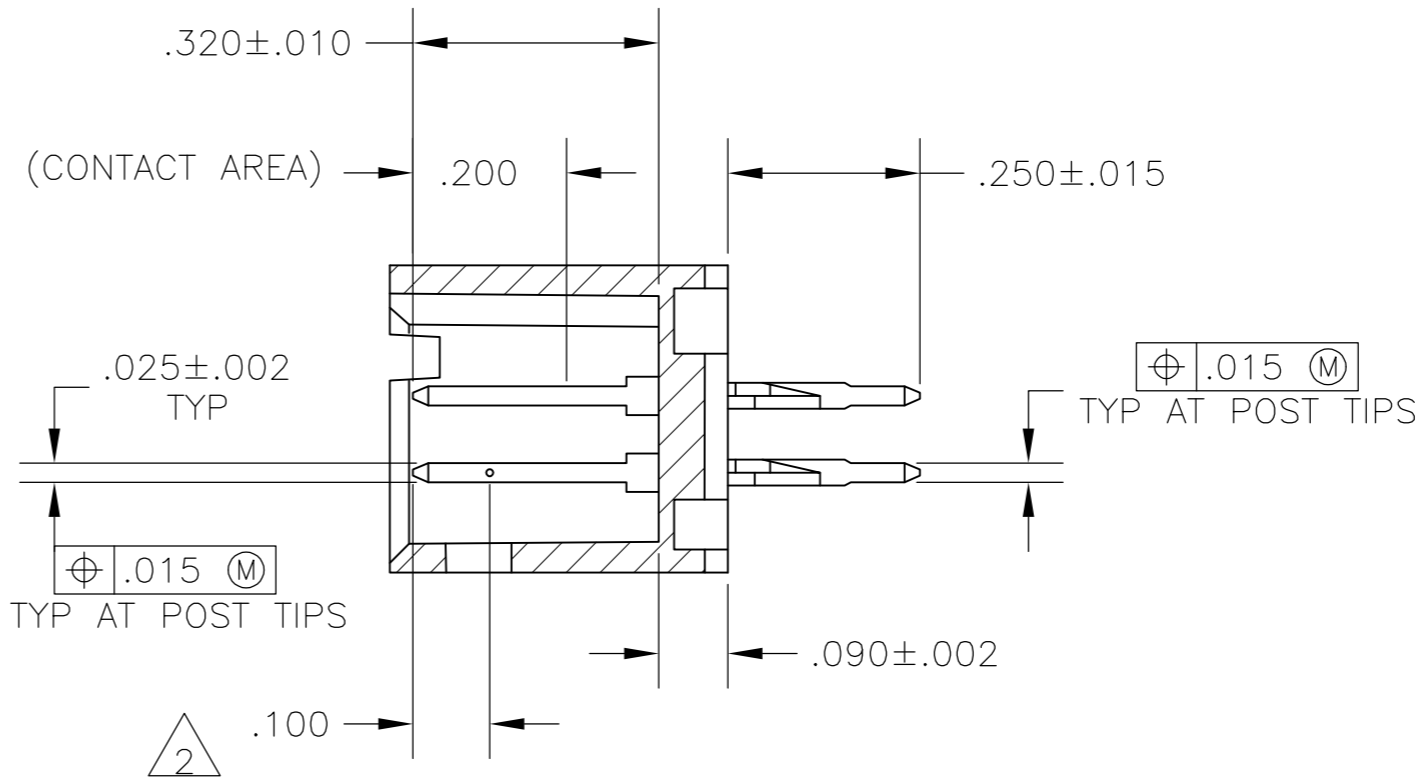
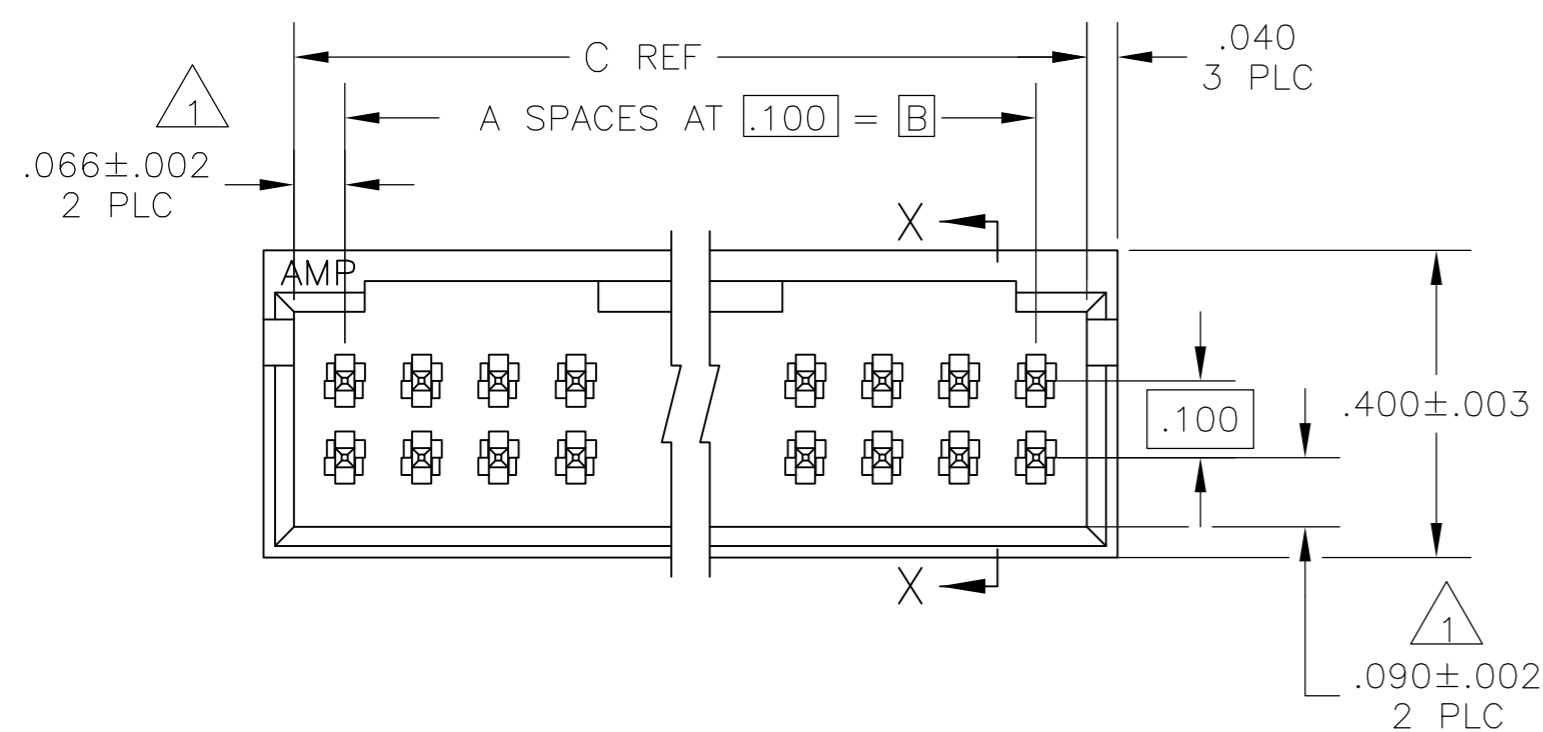


THIS DRAWING IS UNPUBLISHED. RELEASED FOR PUBLICATION
 © COPYRIGHT BY TYCO ELECTRONICS CORPORATION. ALL RIGHTS RESERVED.

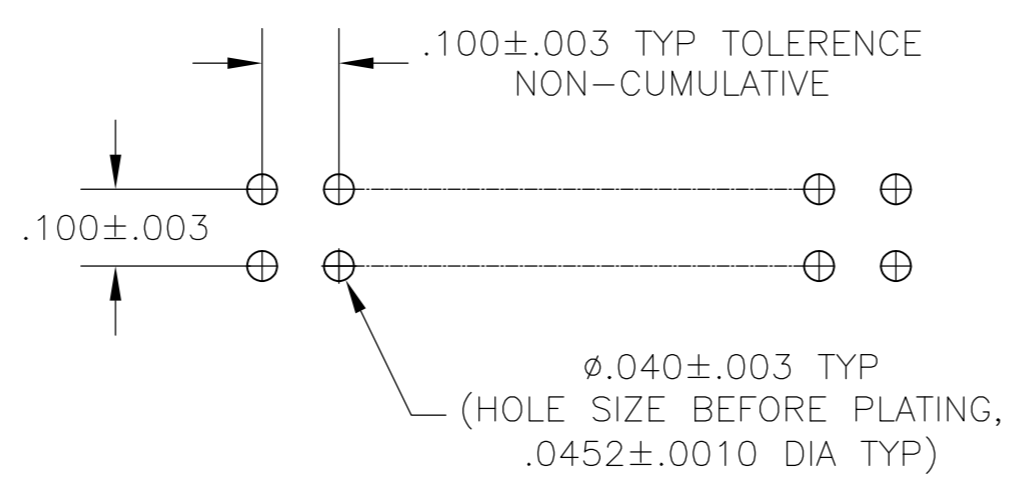
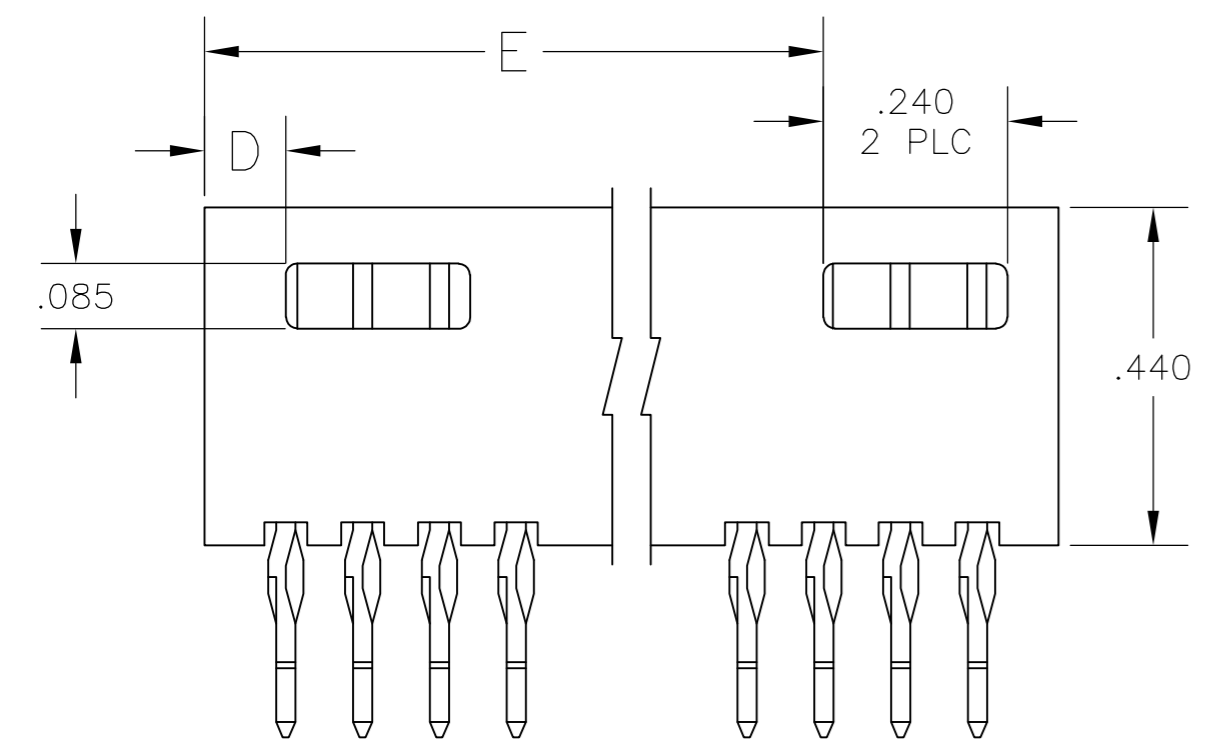
LOC	DIST	REVISIONS			
P	LTR	DESCRIPTION	DATE	DWN	APVD
	B	EC 0G3C 0224 05	11MAY05	BSV	JLG
	B1	REVISED PER ECO-09-023929	24OCT09	KK	AEG



- 1 THE NOTED DIMENSIONS APPLY AT THE INTERSECTION OF THE POST AND HOUSING
- 2 POINT OF MEASUREMENT FOR PLATING THICKNESS
- 3 POSTS: .000030 GOLD ON CONTACT AREA, .000100-.000200 MATTE TIN-LEAD ON SOLDER TAIL, ALL OVER .000050 NICKEL
- 4 POSTS: .000030 GOLD ON CONTACT AREA, .000100-.000200 MATTE TIN ON SOLDER TAIL, ALL OVER .000050 NICKEL
- 5 OBSOLETE PARTS: OBSOLETE CIS STREAMLINING PER D.RENAUD/D.SINISI



SECTION X-X



RECOMMENDED HOLE LAYOUT

PLATING	E	D	C	B	A	NO OF POSN	ASSEMBLY PART NUMBER
5 OBSOLETE	.806	.106	1.032	.900	9	20	5-1571311-1
	.806	.106	1.032	.900	9	20	1571311-1

THIS DRAWING IS A CONTROLLED DOCUMENT.

DWN	R BROWN	06JUN02
CHK	J GESFORD	06JUN02
APVD	J GESFORD	06JUN02
PRODUCT SPEC	NAME	
APPLICATION SPEC	HDR ASSY, MOD II, COMPLIANT PIN, DBL ROW, .100X.100 CL, 4 SIDED SHROUD, FOR .062 THICK PCB	
WEIGHT	-	SIZE
CUSTOMER DRAWING	A2	CAGE CODE
	00779	DRAWING NO
	C=1571311	RESTRICTED TO
		SCALE
	4:1	SHEET
	1	OF
	1	REV
		B1

Tyco Electronics Corporation
 Harrisburg, Pa 17105-3608
 Tyco Electronics