

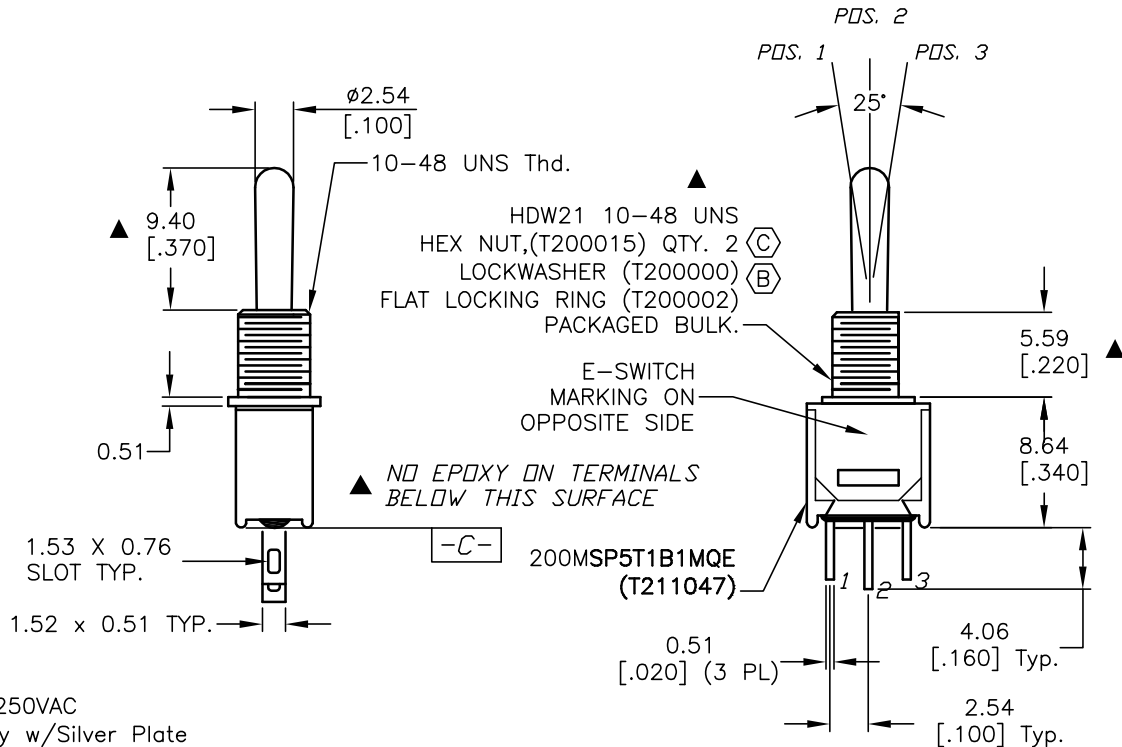
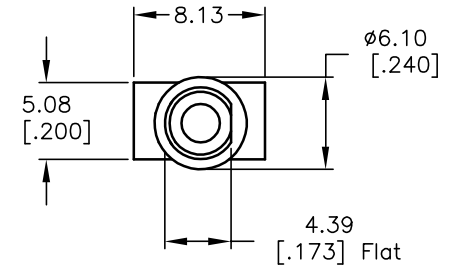
CIRCUIT: SPDT
CONTACT CONFIGURATION

SWITCH FUNCTION		
PDS. 1	PDS. 2	PDS. 3
<DN>	OFF	<DN>
2-3	OPEN	2-1

< >=MOMENTARY

NOTES:

1. ALL DIMENSIONS IN MM
2. GENERAL TOLERANCE: X.X=±0.4
X.XX=±0.25
3. TERM. NOS. FOR REFERENCE ONLY.
4. CONTACT RATING: 3A @120VAC OR 28VDC, 1A @250VAC
- ▲ 5. FIXED TERMINAL & MOVING CONTACT: Copper Alloy w/Silver Plate
6. ELECTRIC LIFE: 30,000 make-and-break cycles at full load.
7. INSULATION RESISTANCE: 1,000 M ohm min.
8. DIELECTRIC STRENGTH: 1,000 V RMS @sea level.
9. OPERATING TEMP. -30°C to 85°C
- ▲ 10. HARDWARE PACKAGED BULK WITH SWITCH.
11. ▲ DENOTES CRITICAL PARAMETER.



C	13468	ADD QUANTITY TO NUT	9/18/03	AR
B	13279	ADD HARDWARE COMPONENTS	7/10/03	AR
A	13060	RELEASED FOR PRODUCTION	4/18/03	AR
REV.	ECN No.	DESCRIPTION	DATE	CHKD

THE INFORMATION CONTAINED IN THIS DOCUMENT IS PROPRIETARY TO E-SWITCH AND IS NOT TO BE COPIED OR TRANSFERRED

E-SWITCH®

TITLE
200MSP4T1B1M1QE W/HARDWARE 21

SCALE 2:1	DATE 4/18/03	DR AR	DWG XT0111A	REV C
--------------	-----------------	----------	----------------	----------