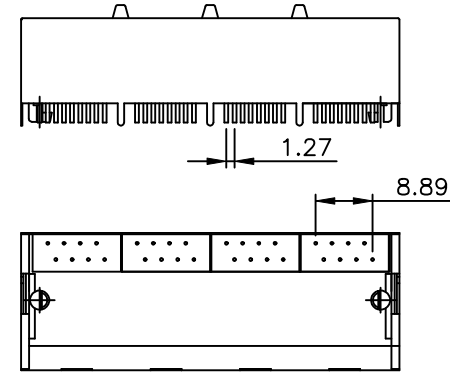
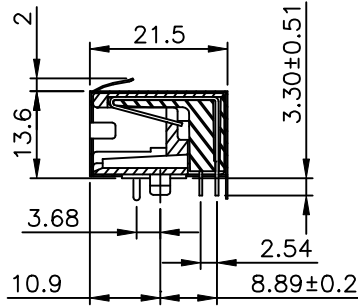
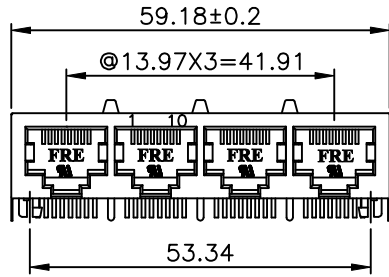


REVISION RECORD				
REV	ECO	DESCRIPTION	DRFT	CHKD
△		ADD PART NUMBER	HAOQIN 8/28/05	



NOTES:

ELECTRICAL:

- VOLTAGE RATING : 125 VAC RMS.
- CURRENT RATING : 1.5 AMP.
- CONTACT RESISTANCE : 45 MILLIOHMS MAX.
- INSULATION RESISTANCE: 1000 MEGOHMS MIN @ 500 VDC.
- DIELECTRIC STRENGTH : 1000 VAC RMS 60Hz, 1MIN.

MECHANICAL:

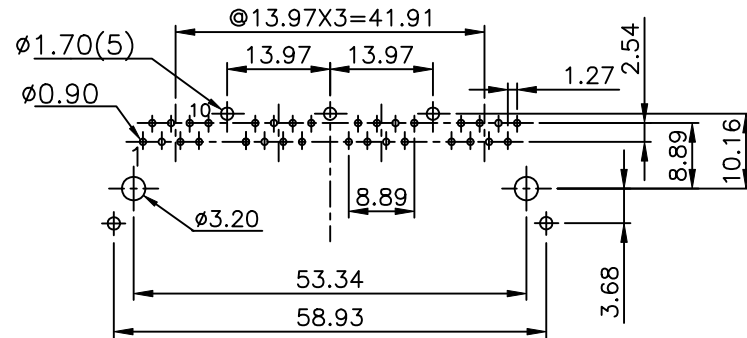
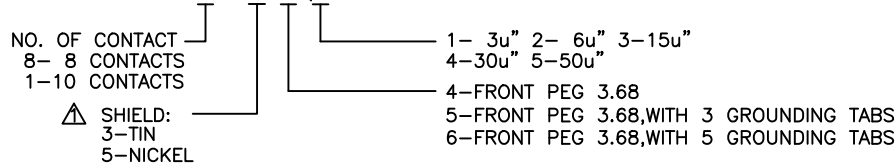
- HOUSING MATERIAL : NYLON+30%GF(FR52) UL94V-0.
- INSERT MATERIAL : NYLON+30%GF(FR52) UL94V-0.
- CONTACT MATERIAL : PHOSPHOR BRONZE $\phi 0.46\text{mm}$.
- PLATING : GOLD PLATING OVER NICKEL.
- OPERATING LIFE : 750 CYCLES MIN.
- PCB RETENTION PRE-SOLDER : 1 LB MIN.
- PCB RETENTION POST-SOLDER: 10 LBS MIN.
- SHIELD PLATING : NICKEL PLAIN OVER BRASS .

ENVIRONMENTAL:

- STORAGE : -40°C TO $+85^{\circ}\text{C}$.
- OPERATION: -40°C TO $+85^{\circ}\text{C}$.
- WAVE:SOLDERING TEMPERATURE 255-265°C(5~10 SECONDS)

MATES WITH MODULAR PLUG CONFORMING TO
CUL FILE NO. E163191

ROHS PART NUMBER: E590X-2XCXQX-L



PC Board Layout Component Side Shown

DETACHED LISTS	MM (INCH)	DFTO QJSJ	DATE 03/19/05'	FULL RISE ELECTRONIC CO., LTD	
	TOLERANCES EXCEPT AS NOTED	CHKD QIANPU	DATE 2005/6/6		
	MM	MFO	DATE	TITLE 20.57 PCB JACK 4 PORT	
	.0 ± 0.2	APPVLLUSHENG	DATE 2005/6/6		
.00 ± 0.15	MATERIAL :	QTY :	DRAWING NO. GE593A84-LA	SIZE A3	REV 1
.000 ± 0.075	ANGLES ±	FINISH :	/PART NO. SEE NOTE	DO NOT SCALE DRAWING SHEET OF	
THIRD ANGLE PROJECTION	SCALE : 1.25:1				