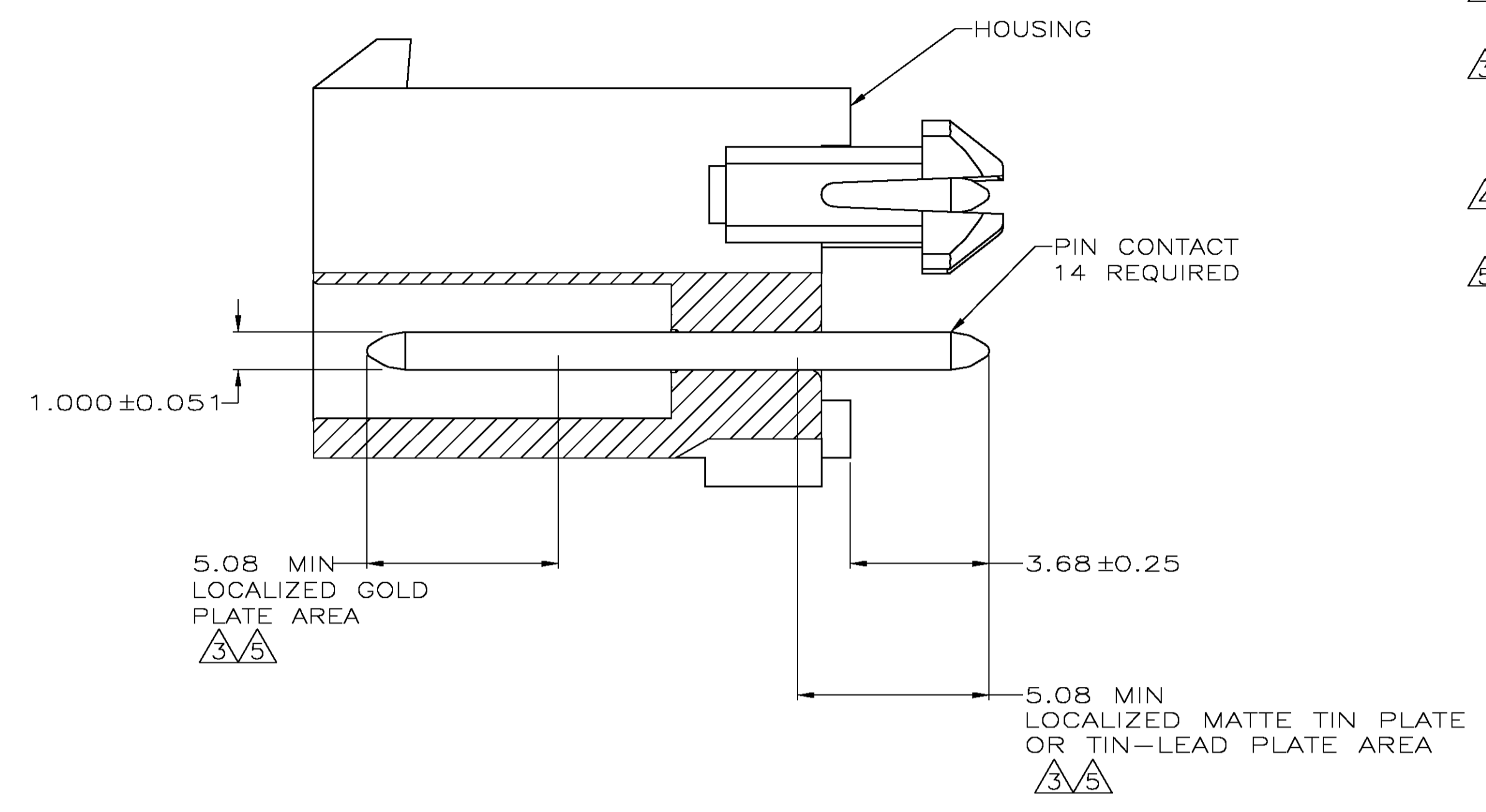
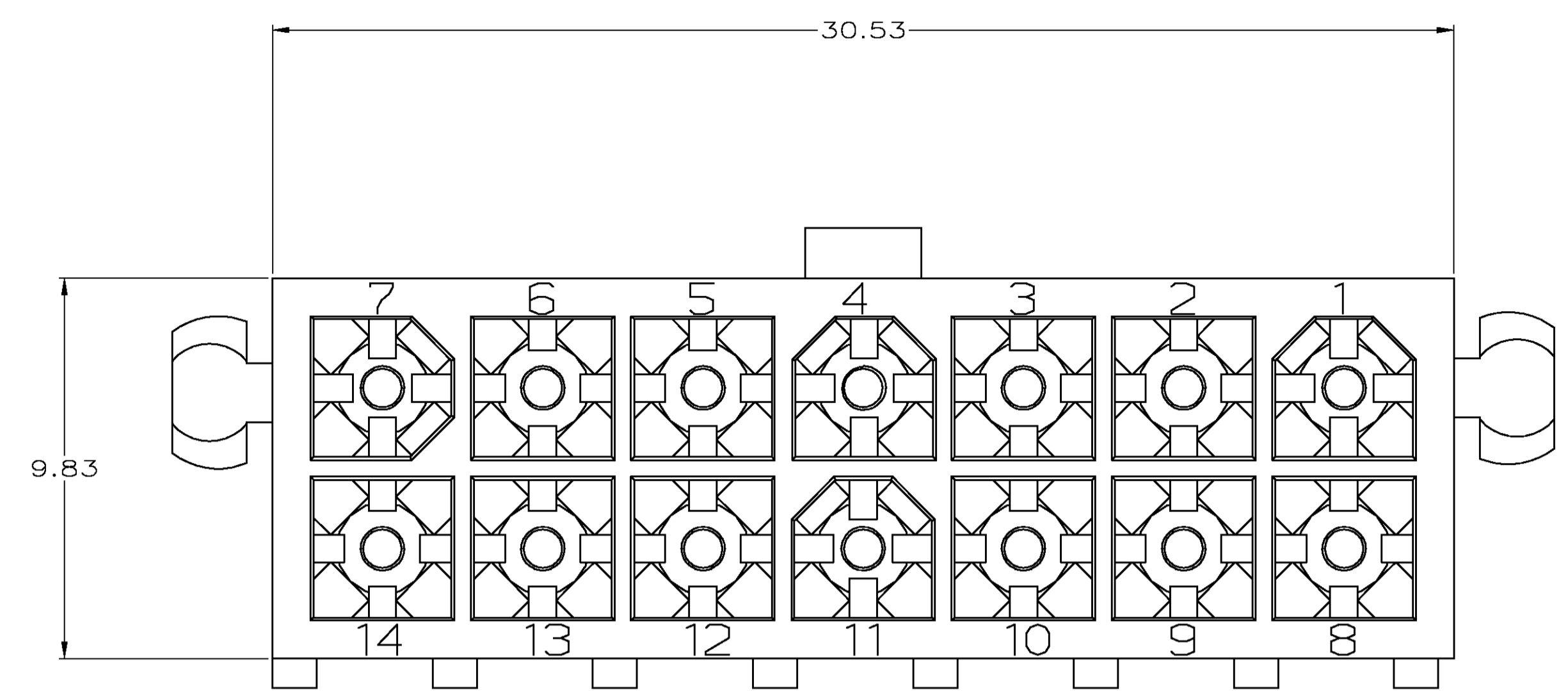
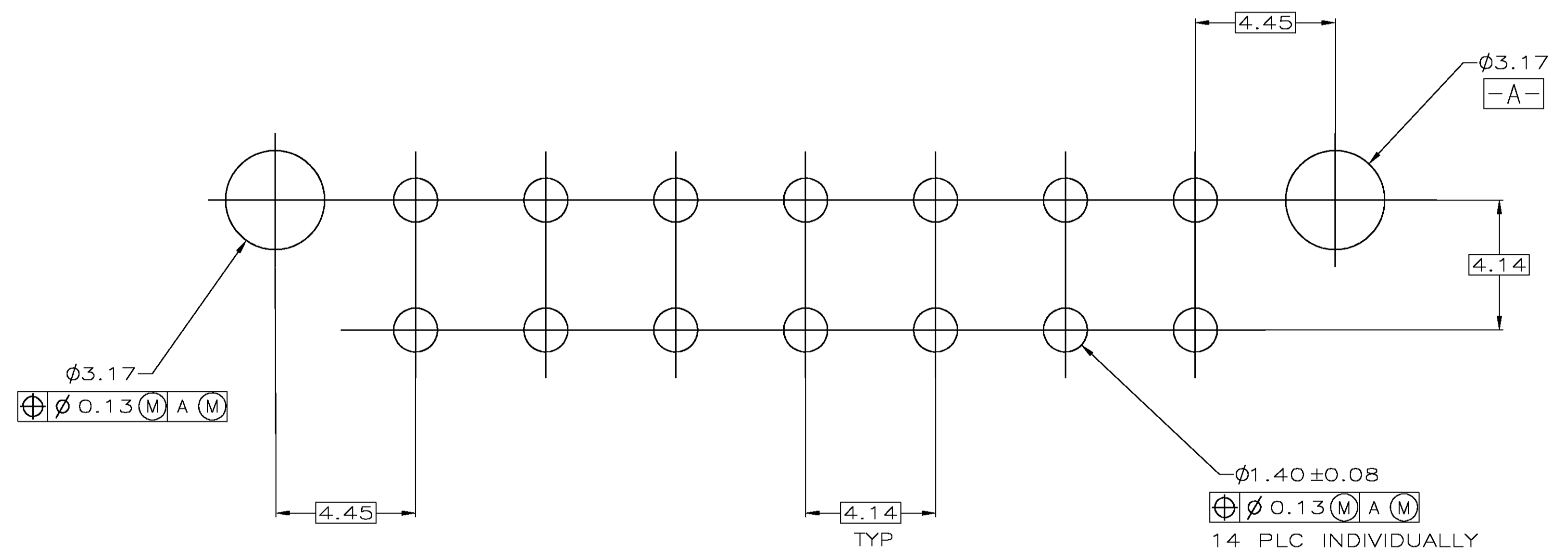
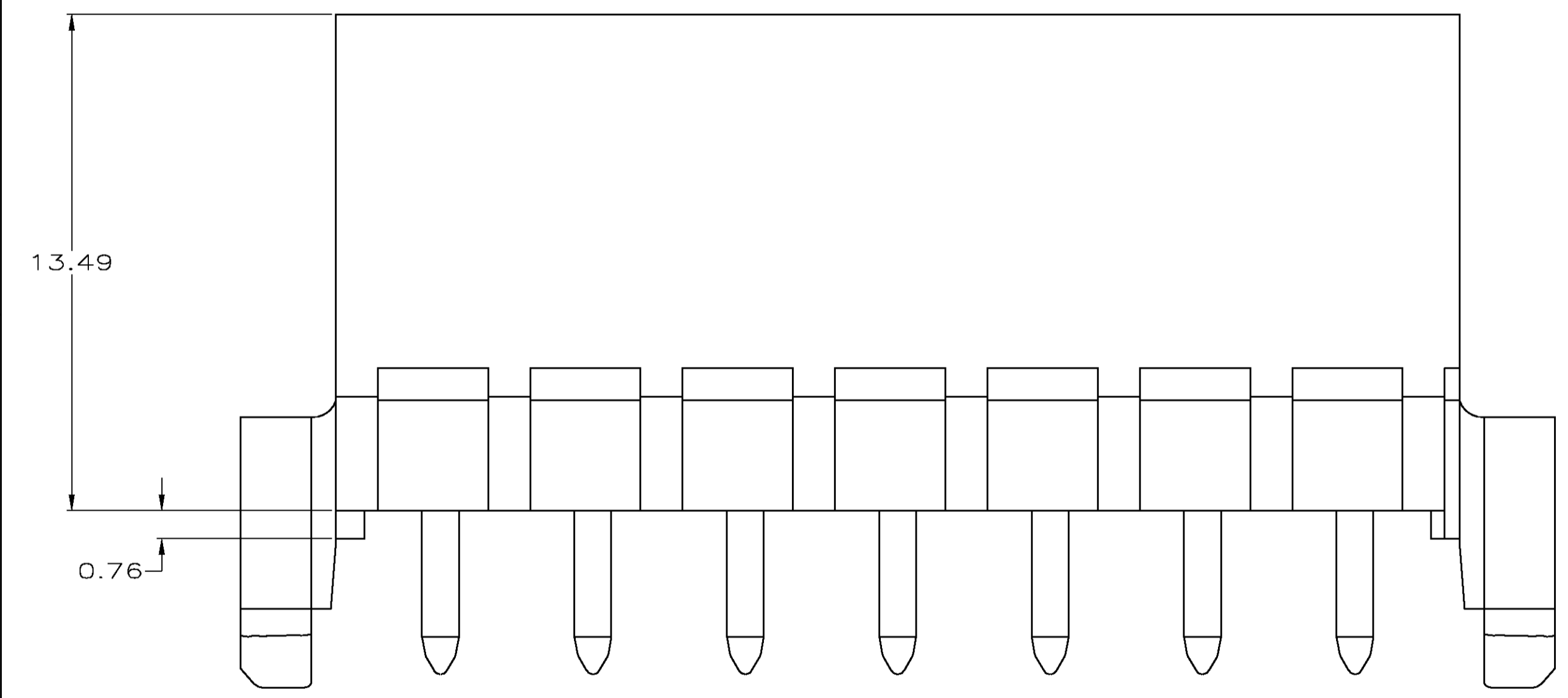


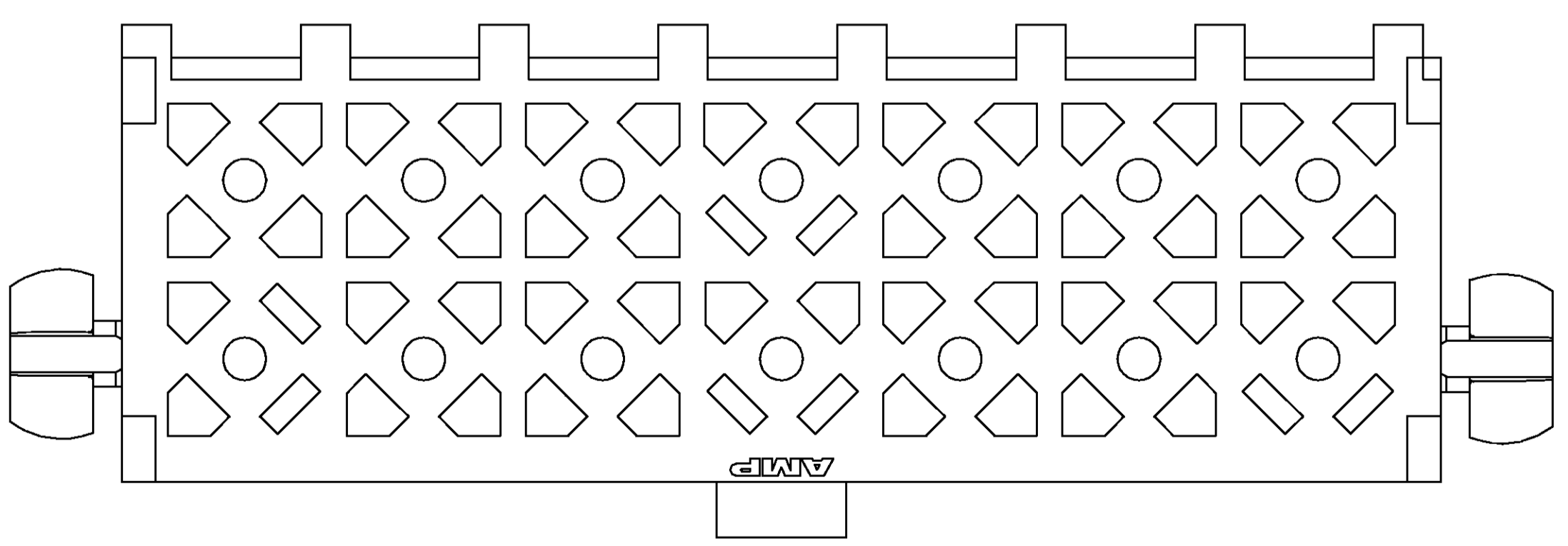
LOC		DIST		REVISIONS			
P	LTR	DESCRIPTION	DATE	BY	APP'D		
E		REVISED PER 063B-0211-05	6/9/05	SS	RJ		



- PINS TO COMPLY WITH AMP SOLDERABILITY SPEC. 109-11-3.
- 0.00381 MIN MATTE TIN LEAD OVER 0.00127 MIN NICKEL.
- 0.00076 MIN GOLD PLATE IN THE LOCALIZED PLATE AREA, 0.00381 MATTE TIN LEAD IN THE LOCALIZED PLATE AREA, BOTH OVER 0.00127 MIN NICKEL.
- 0.00381 MIN MATTE TIN OVER 0.00127 MIN NICKEL.
- 0.00076 MIN GOLD PLATE IN THE LOCALIZED PLATE AREA, 0.00381 MATTE TIN LEAD IN THE LOCALIZED PLATE AREA, BOTH OVER 0.00127 MIN NICKEL.



RECOMMENDED MOUNTING HOLE PATTERN FOR 1.57 THICK P.C. BOARD



PIN CONTACT MATERIAL AND FINISH	HOUSING MATERIAL AND COLOR	PART NUMBER
BRASS, GOLD $\Delta 3$	NYLON, 94V-0, WHITE	1-794067-1
BRASS, TIN $\Delta 4$	NYLON, 94V-0, WHITE	1-794067-0
BRASS, GOLD $\Delta 3$	NYLON, 94V-0, WHITE	794067-2
BRASS, TIN LEAD $\Delta 2$	NYLON, 94V-0, WHITE	794067-1

THIS DRAWING IS A CONTROLLED DOCUMENT.

DIMENSIONS: mm 	TOLERANCES UNLESS OTHERWISE SPECIFIED: 0 PLC ± - 1 PLC ± - 2 PLC ± 0.13 3 PLC ± - 4 PLC ± - ANGLES ± -	DWN S CARPENTER 09JUN05 CHK R JONES 12AUG2003 APVD R JONES 12AUG2003 PRODUCT SPEC APPLICATION SPEC WEIGHT CUSTOMER DRAWING	Tyco Electronics Corporation Harrisburg, Pa 17105-3608 NAME: HEADER ASSEMBLY, 14 CKT, DOUBLE ROW VERTICAL, MINI UNIVERSAL MATE-N-LOK SIZE: A1 CODE: 00779 DRAWING NO: 794067 SCALE: 8:1 SHEET: 1 OF 1 REV: E
--------------------	--	--	--