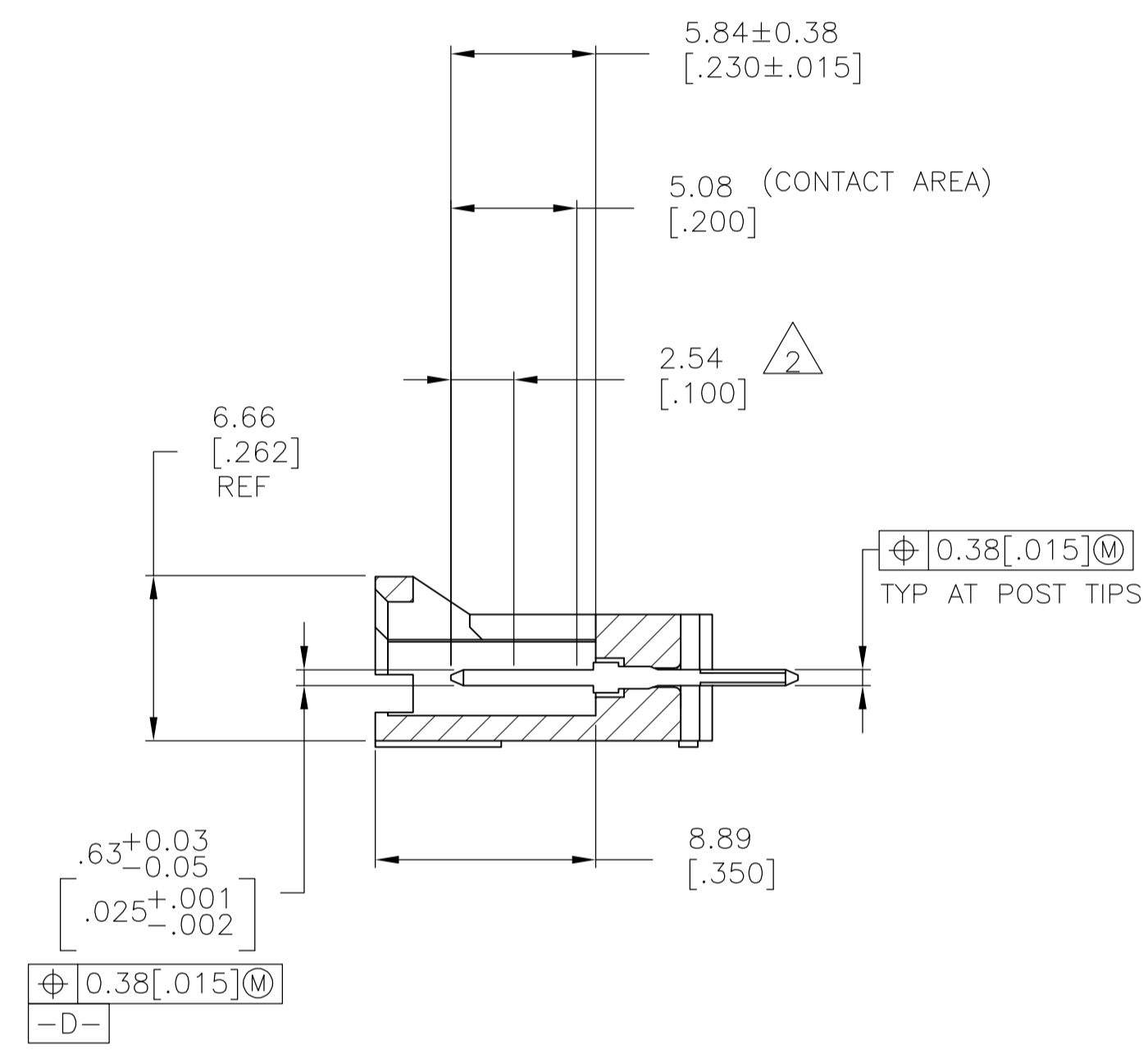
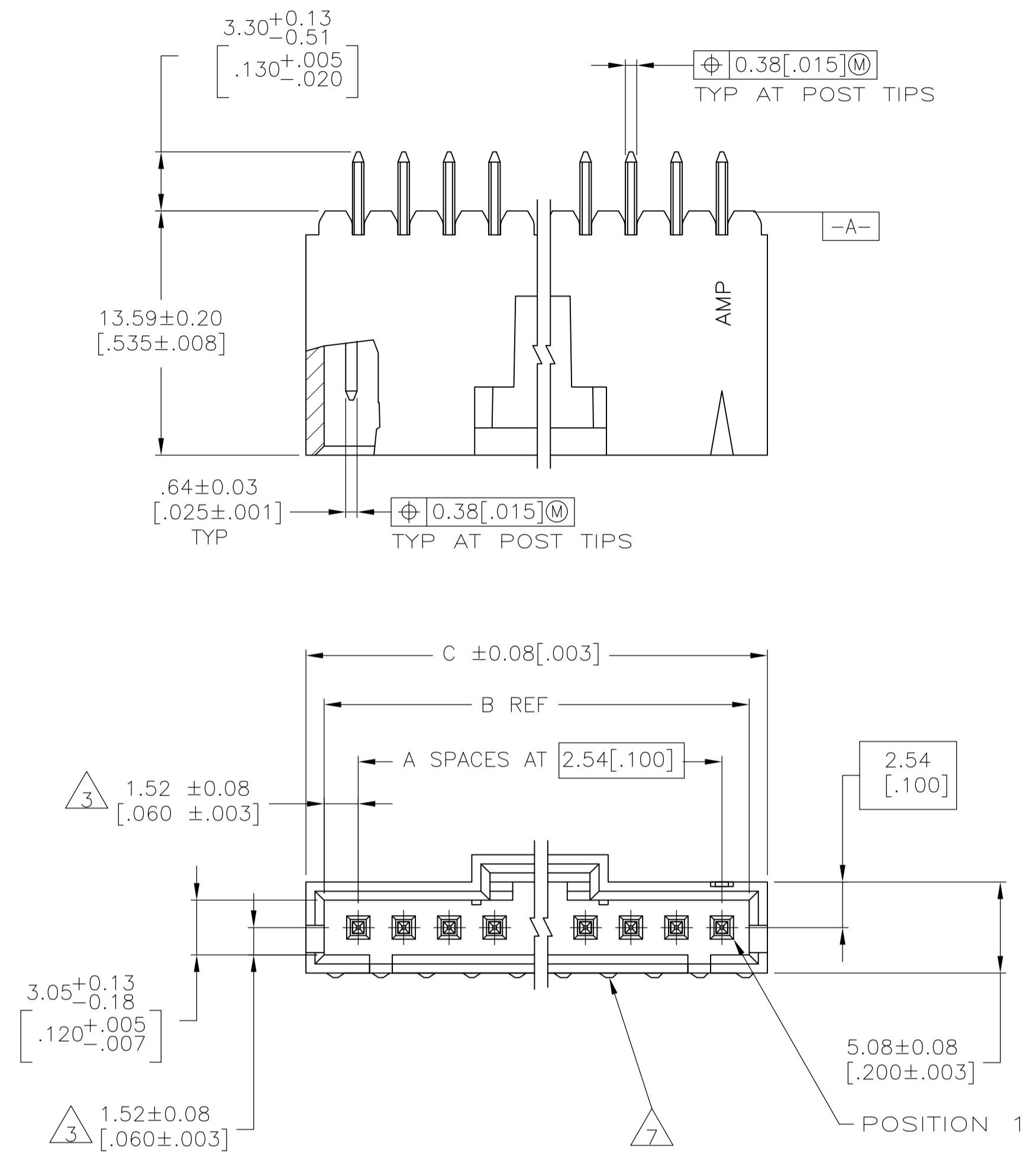
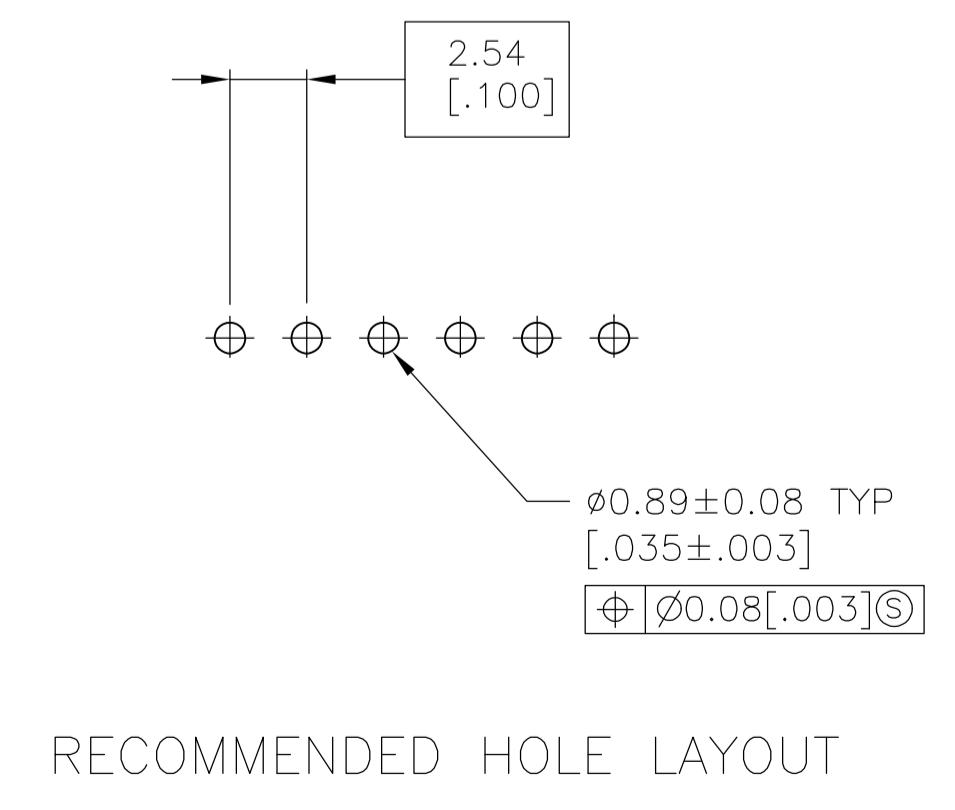
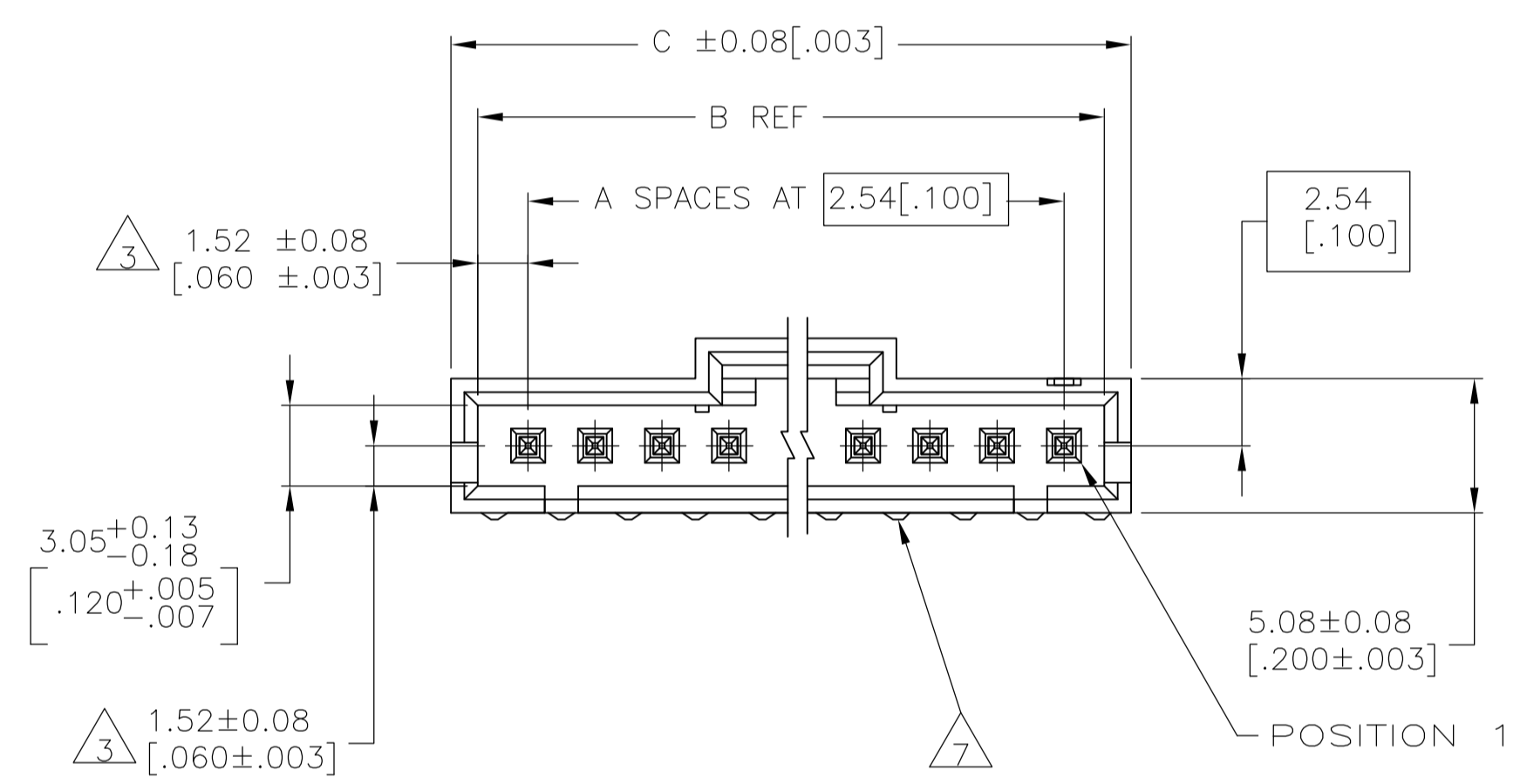


LOC		DIST		REVISIONS			
P	LTR	DESCRIPTION	DATE	DMN	APVD		
B	EC	063C 0786 04	01-02-05	BSV	JLG		
B1		REVISED PER ECO-09-020689	25AUG09	KK	AEG		



- △1 FINISH: 0.00254[.000100] BRIGHT TIN-LEAD OVER 0.00127[.000050] NICKEL.
- △2 POINT OF MEASUREMENT FOR PLATING THICKNESS.
- △3 THE NOTED DIMENSIONS APPLY FROM THE BASIC DIMENSION CENTER LINE (NOT THE POST CENTER LINE) TO THE SURFACE INDICATED.
- △4 MATERIAL- HOUSING: THERMOPLASTIC, COLOR-BLACK. POSTS: BRASS.
- △5 FINISH: 0.00254[.000100] MATTE TIN OVER 0.00127[.000050] NICKEL.
- △6 HIGH TEMPERATURE CONFIGURATION
- △7 STANDOFFS NOT PRESENT ON UNDER SIDE OF ASSEMBLY
- △8 OBSOLETE PARTS: OBSOLETE CIS STREAMLINING PER D.RENAUD/D.SINISI



△8	OBSOLETE	△6 △7	△5	2	33.53 [1.400]	35.56 [1.320]	12	13	5-147574-2
△8	OBSOLETE	△6 △7	△5	12	33.53 [1.400]	35.56 [1.320]	12	13	5-147574-1
			△1	2	33.53 [1.400]	35.56 [1.320]	12	13	147574-2
△8	OBSOLETE		△1	12	33.53 [1.400]	35.56 [1.320]	12	13	147574-1
	REMARKS	FINISH	POST NO. OMITTED	C	B	A	NO. OF POSN	PART NO.	

THIS DRAWING IS A CONTROLLED DOCUMENT.

DIMENSIONS: mm [INCHES]	TOLERANCES UNLESS OTHERWISE SPECIFIED:	DIN R BROWN 02-04-01	APVD K WRIGHT 02-04-01	NAME	TYCO ELECTRONICS CORPORATION
0 PLC ± -	1 PLC ± -	2 PLC ± 0.13[.005]	3 PLC ± -	4 PLC ± -	ANGLES ± -
MATERIAL - △4	FINISH SEE TABLE	WEIGHT -	SIZE A1	CAGE CODE 00779	DRAWING NO. 147574
CUSTOMER DRAWING		SCALE 4:1	SHEET 1 OF 1	REV B1	