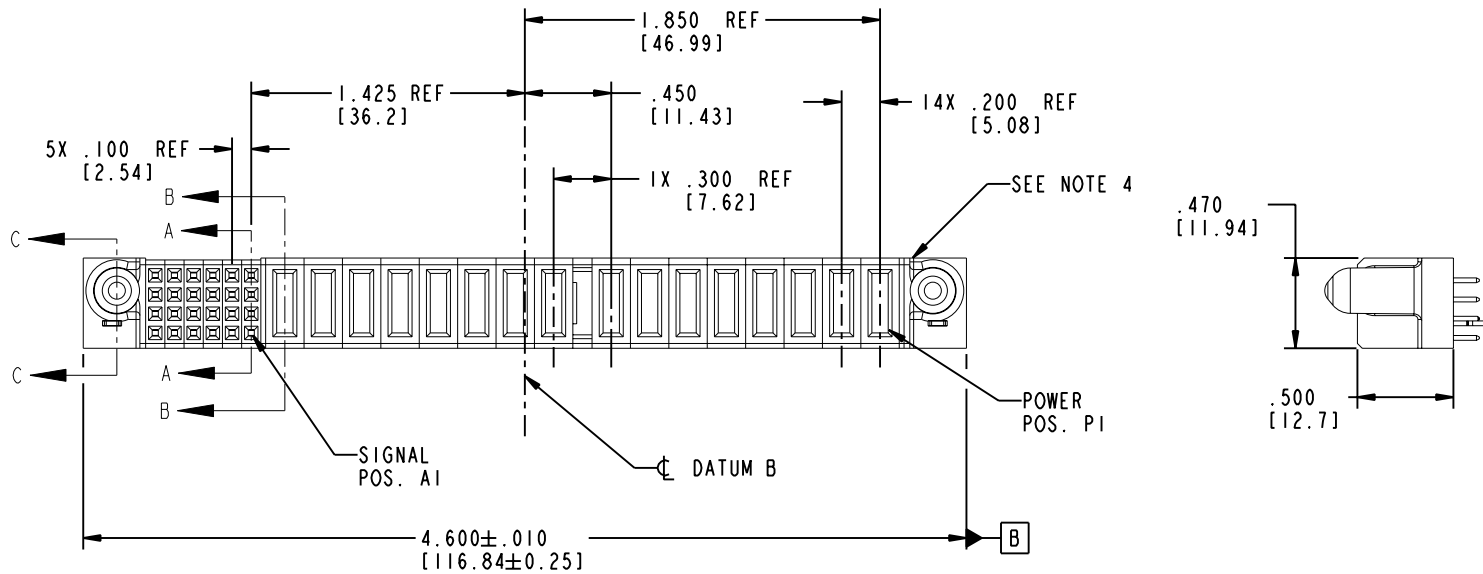


Tous droits strictement réservés. Reproduction ou communication a des tiers interdite sous quelque forme que ce soit sans autorisation écrite du propriétaire. Propriété de c FCI. Droits de reproduction FCI.

All rights strictly reserved. Reproduction or issue to third parties in any form whenever is not permitted without written authority from the proprietor. Property of FCI. Copyright FCI.

PRODUCT NO.	ROWS	SIGNAL								POWER																	
		E2	6	5	4	3	2	1		P16	P15	P14	P13	P12	P11	P10	P9	P8	P7	P6	P5	P4	P3	P2	P1	E1	
51940-182-- NOTE ③	D C B A		E	E	E	E	E	E	E	PD	PD	PD	PD	PD	PD	PD	PD	PD	PD	PD	PD	PD	PD	PD	PD	PD	



CODE	DIM "M" MATING LENGTH	CONTACT TYPE
E	N/A [N/A]	SIGNAL
PD	.092 [2.34]	POWER
HA	N/A [N/A]	HOLD-DOWN

mat'l code				SEE NOTE 2		tolerances unless otherwise specified		CUSTOMER				
ltr	ecn no.	dr	date	linear	.XX±.01/0.XX±0.3	projection		COPY		www.fciconnect.com		
A	DG06-0017	SW	01/12/06	angles	.XXX±.005/0.XX±0.13			title		16P + 24S VERTICAL STB RECEIPT		
				dr	STEVEN WANG 01/12/06	INCH/MM		product family		PwrBlade		
				enr	STEVEN WANG 01/12/06	scale		size		dwg no		
				chr	BEER FU 01/12/06	1:1		A		51940-182		
				appd	JOSEPH HSIA 01/12/06					code		
				sheet index	1					213		
				revision sheet	A	A	A	A			sheet 1 of 4	
					1	2	3	4				

Pro/E

cage code 22526

PDM: Rev:A

STATUS: Released

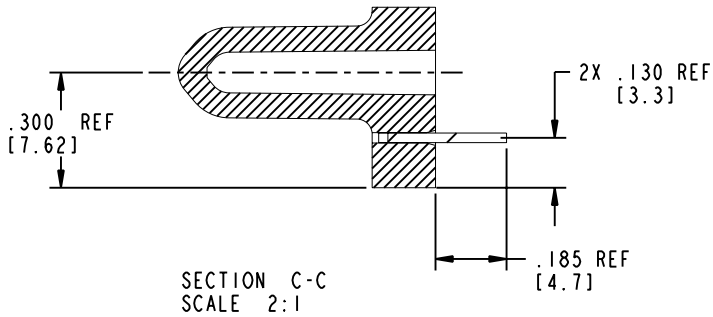
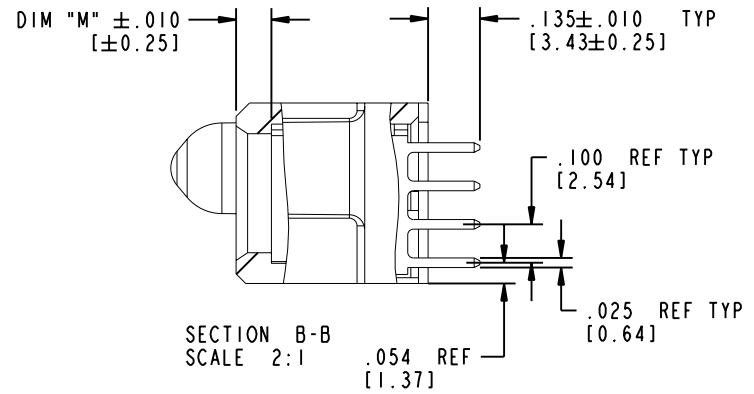
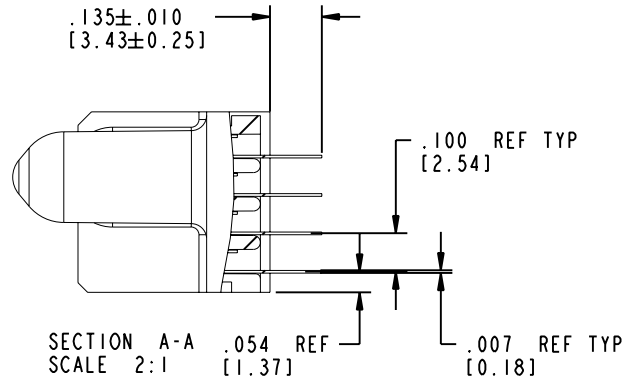
Printed: Dec 20, 2010


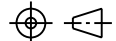

Tous droits strictement réservés. Reproduction ou communication a des tiers interdite sous quelque forme que ce soit sans autorisation écrite du propriétaire. Propriété de c FCI. Droits de reproduction FCI.

All rights strictly reserved. Reproduction or issue to third parties in any form whatever is not permitted without written authority from the proprietor. Property of FCI. Copyright FCI.

PRODUCT NUMBER

51940-182...
NOTE ③



mat'l code				SEE NOTE 2		tolerances unless otherwise specified		CUSTOMER		 www.fciconnect.com	
ltr	ecn no.	dr	date	linear	.XX ± .01/0.X ± 0.3	projection	COPY		title		
A				angles	.XXX ± .005/0.XX ± 0.13				16P + 24S VERTICAL STB RECEIPT		
				dr	STEVEN WANG 01/12/06	product family		PwrBlade		code	
				enr	STEVEN WANG 01/12/06	size		dwg no		213	
				chr	BEER FU 01/12/06	scale		A		sheet	
				appd	JOSEPH HSIA 01/12/06	1:1		51940-182		2 of 4	
sheet index		revision sheet									

Pro/E

cage code 22526

PDM: Rev:A

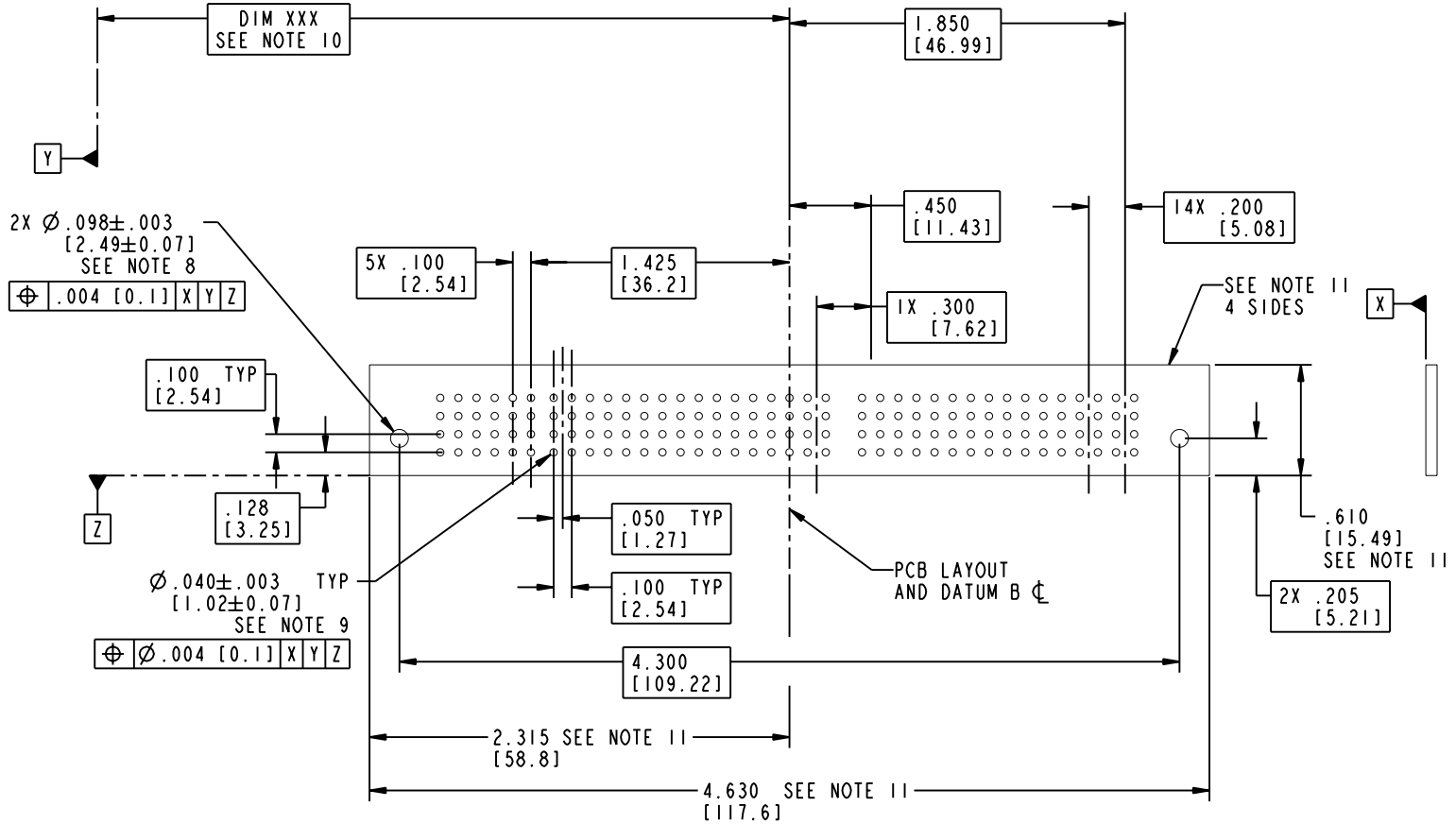
STATUS: Released

Printed: Dec 20, 2010

Tous droits strictement réservés. Reproduction ou communication a des tiers interdite sous quelque forme que ce soit sans autorisation écrite du propriétaire. Propriété de c FCI. Droits de reproduction FCI.

All rights strictly reserved. Reproduction or issue to third parties in any form whatever is not permitted without written authority from the proprietor. Property of FCI. Copyright FCI.

PRODUCT NUMBER
51940-182
 NOTE ③



mat'l code				SEE NOTE 2		tolerances unless otherwise specified		CUSTOMER		 www.fciconnect.com	
ltr	ecn no.	dr	date	linear	.XX±.01/0.X±0.3	projection	COPY		title		
A				angles	.XXX±.005/0.XX±0.13				16P + 24S VERTICAL STB RECEPT		
				dr	.XXX±.0020/0.XX±0.051	INCH/MM	product family		code		
				enr	STEVEN WANG 01/12/06	scale	PwrBlade		213		
				chr	STEVEN WANG 01/12/06	1:1	size		sheet		
				appd	BEER FU 01/12/06		51940-182		3 of 4		
					JOSEPH HSIA 01/12/06		A				
sheet index	revision sheet										

Pro/E

cage code **22526**

PDM: Rev:A

STATUS: Released

Printed: Dec 20, 2010

Tous droits strictement réservés. Reproduction ou communication a des tiers interdite sous quelque forme que ce soit sans autorisation écrite du propriétaire. Propriété de c FCI. Droits de reproduction FCI.

A
FCI

All rights strictly reserved. Reproduction or issue to third parties in any form whatever is not permitted without written authority from the proprietor. Property of FCI. Copyright FCI.

A

B

PRODUCT NUMBER
51940-182
NOTE ③

NOTES:


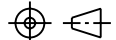
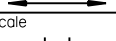
1. DIMENSIONS AND TOLERANCES ARE IN ACCORDANCE WITH ASME Y14.5M, 1994 UNLESS OTHERWISE SPECIFIED.

CONNECTOR NOTES:

- ② HOUSING MATERIAL: UL 94 V-0 GLASS FILLED
HIGH-TEMP THERMOPLASTIC
POWER CONTACT MATERIAL: COPPER ALLOY
SIGNAL PIN MATERIAL: COPPER ALLOY
- 3. PLATING SPEC.
51940-182, 51940-182LF PLATING SPEC. WAS SHOWN IN THE PRINT OF 10064183.
- ④ MANUFACTURER'S NAME, P/N, AND DATE CODE TO APPEAR ON THIS SURFACE.
- 5. PRODUCT SPECIFICATION GS-12-149.
APPLICATION SPECIFICATION BUS-20-067.
- 6. PACKAGED IN TRAYS.

PCB NOTES:

- 7. ALL HOLE DIAMETERS ARE FINISHED HOLE SIZE.
- ⑧ MOUNTING HOLES, WHERE APPLICABLE, ARE UNPLATED.
- ⑨ $\varnothing .0453 \pm .0010$ [1.151 ± 0.025] DRILLED HOLES PLATED WITH .0003 [0.008] MIN SnPb OVER .001 [0.03] TO .003 [0.08] Cu PLATING TO ACHIEVE $\varnothing .040 \pm .003$ [1.02 ± .07] HOLE.
- ⑩ "DIM XXX" TO BE DETERMINED BY THE CUSTOMER.
- ⑪ CONNECTOR KEEP-OUT ZONE.

mat'l code		SEE NOTE 2		tolerances unless otherwise specified		CUSTOMER		 FCI www.fciconnect.com	
ltr	ecn no.	dr	date	linear	.XX±.01/0.X±0.3	COPY			
A				linear	.XXX±.005/0.XX±0.13	projection		title	
				angles	.XXX±.0020/0.XXX±0.051			16P + 24S VERTICAL STB RECEPT	
				dr	STEVEN WANG 01/12/06	INCH/MM		product family	
				enr	STEVEN WANG 01/12/06			PwrBlade	
				chr	BEER FU 01/12/06	scale		code	
				appd	JOSEPH HSIA 01/12/06	1:1		213	
sheet index		revision sheet						size	
								dwg no	
								A 51940-182	
								sheet	
								4 of 4	

A

B

1 | 2

3 |

4

1 | 2

Pro/E

3 |

cage code 22526

4

PDM: Rev:A

STATUS: Released

Printed: Dec 20, 2010