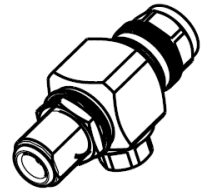
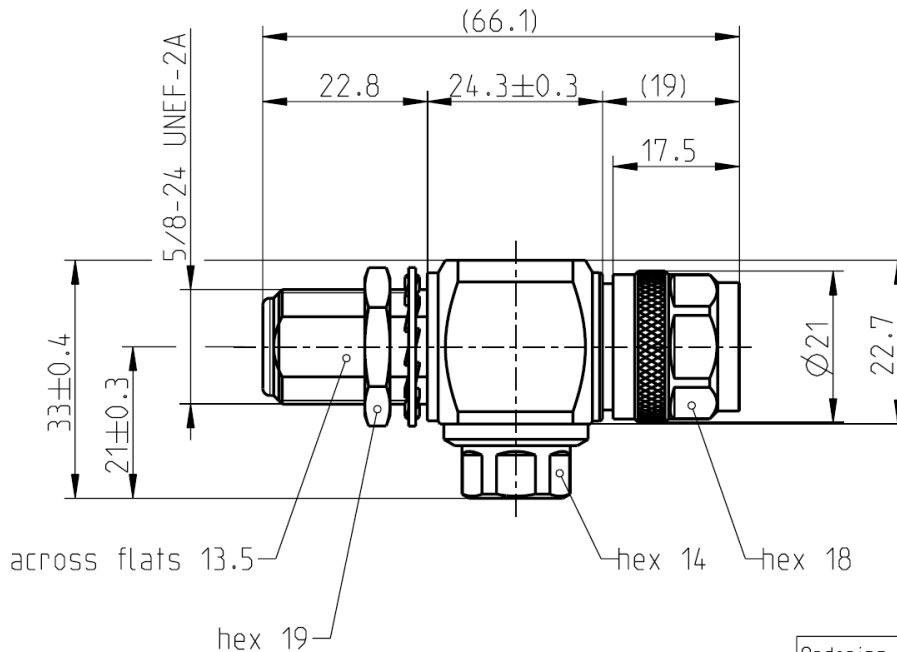


N 50 Ω

SURGE ARRESTER
WITH GAS CAPSULE JACK-PLUG

53BK501-SXXXN1



Ordering number	Voltage depends on gas capsule	Gas capsule order number
53BK501-S090N1	90V	53ZB01-090
53BK501-S230N1	230V	53ZB01-230
53BK501-S350N1	350V	53ZB01-350

All dimensions are in mm; tolerances according to ISO 2768 m-H

Interface

According to

IEC 61169-16, MIL-PRF-39012, CECC 22210

Documents

Assembly instruction
Panel piercing

53 MV-A001
B 13

Material and plating

Connector parts

- Center contact jack side
- Center contact plug side
- Outer contact
- Body
- Dielectric
- Gasket
- Gasket

Material

- Beryllium copper
- Brass
- Brass
- Brass
- PS
- Silicone
- NBR

Plating

- Silver, 3-6 μm
- Silver, 3-6 μm
- Flash white bronze over silver(e.g. Optargen®)
- Flash white bronze over silver(e.g. Optargen®)

Dieses Dokument ist urheberrechtlich geschützt • This document is protected by copyright • Rosenberger Hochfrequenztechnik GmbH & Co. KG

RF_35/05:10/6.0

Electrical data

Impedance	50 Ω
Frequency	DC to 3 GHz
Return loss	≥ 30 dB, DC to 1 GHz ≥ 15 dB, 1 to 2 GHz ≥ 10 dB, 2 to 2.7 GHz
Insertion loss	≤ 0.1 dB, DC to 1 GHz
Insulation resistance	≥ 5 x10 ³ MΩ
Center contact resistance	≤ 1 mΩ
Outer contact resistance	≤ 0.25 mΩ
Power handling (at 20 °C, sea level, VSWR 1.0)	P=U ² /R (W) (depending on the gas capsule)
RF-leakage	≥ 128 dB up to 1 GHz
Nominal impulse discharge current	20 kA, Wave 8/20 μS
Rated threshold voltage DC	90 V, Gas capsule order no.: 53Z B01-090 230 V, Gas capsule order no.: 53Z B01-230 350 V, Gas capsule order no.: 53Z B01-350
Rated discharge current	20 A AC
Attack time	8 μs

Mechanical data

Mating cycles	min. 500
Coupling nut retention	≥ 450 N
Center contact captivation: axial	≥ 28 N
Coupling test torque	max. 1.7 Nm
Recommended torque	0.7 Nm to 1.1 Nm
Screw tightening torque with gas capsule	9 Nm min.

Environmental data

Temperature range	-40°C to +85°C
Thermal shock	MIL-STD-202, Meth. 107, Cond. B
Corrosion	MIL-STD-202, Meth. 101, Cond. B
Vibration	MIL-STD-202, Meth. 204, Cond. B
Shock	MIL-STD-202, Meth. 213, Cond. I
Moisture resistance	MIL-STD-202, Meth. 106
Degree of protection (mated pair)	IEC 60529, IP68
2002/95/EC (RoHS)	compliant

Tooling

N/A

Suitable cables

N/A

Packing

Standard	1 pce in bag
Weight	136.0 g/pce

While the information has been carefully compiled to the best of our knowledge, nothing is intended as representation or warranty on our part and no statement herein shall be construed as recommendation to infringe existing patents. In the effort to improve our products, we reserve the right to make changes judged to be necessary.

Draft	Date	Approved	Date	Rev.	Engineering change number	Name	Date
Rong Fang	03/03/11	M. Wimmer	24/05/12	b00	12-0003	M. Wimmer	24/05/12
Rosenberger Hochfrequenztechnik GmbH & Co. KG P.O.Box 1260 D-84526 Tittmoning Germany www.rosenberger.de						Tel. : +49 8684 18-0 Fax : +49 8684 18-499 Email : info@rosenberger.de	
						Page 2 / 2	