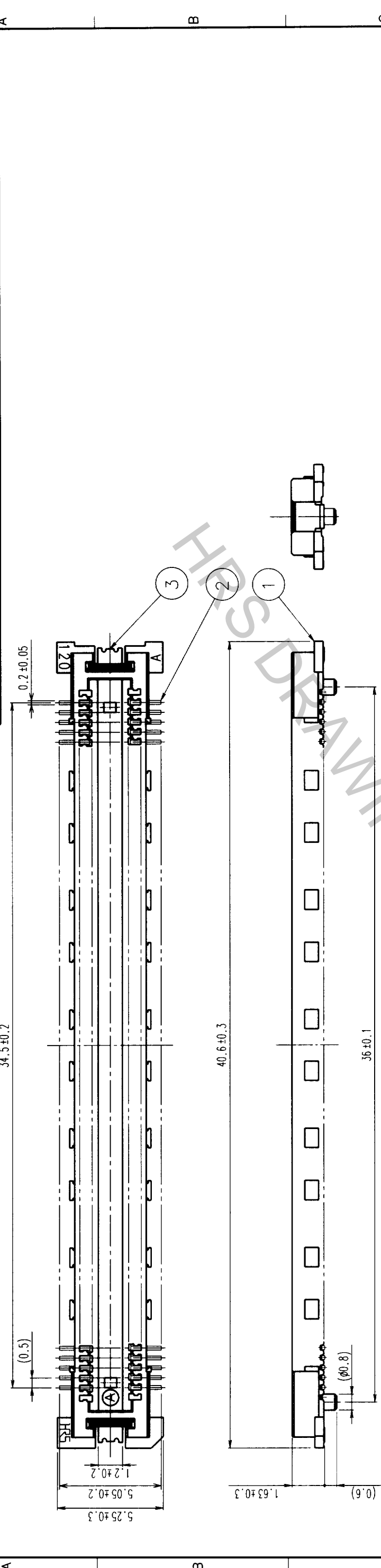
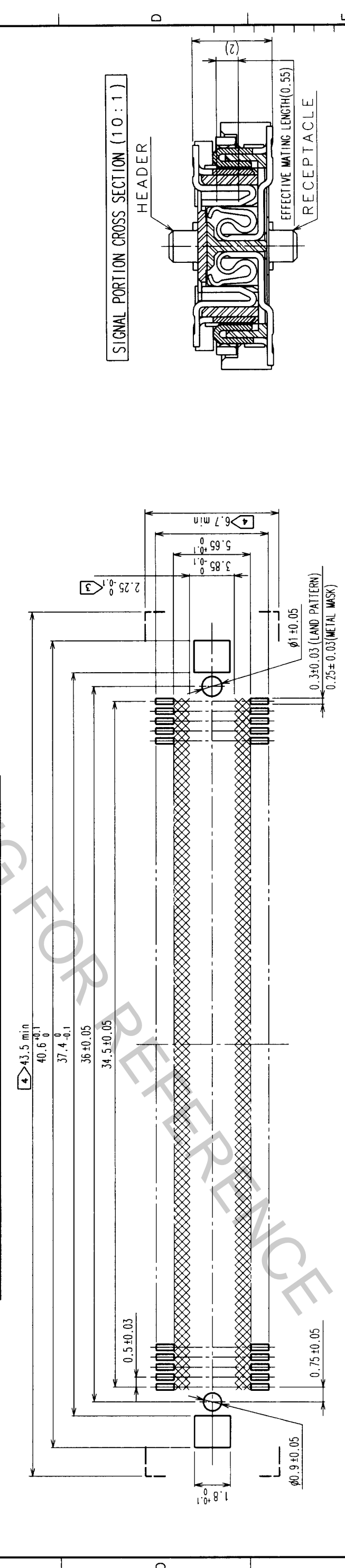


NO.	DESCRIPTION OF REVISIONS	BY	CHKD	DATE	COUNT	DESCRIPTION OF REVISIONS	BY	CHKD	DATE	COUNT
1										
2										
3										
4										
5										
6										
7										
8										



RECOMMENDED LAND PATTERN DIMENSION OF PCB



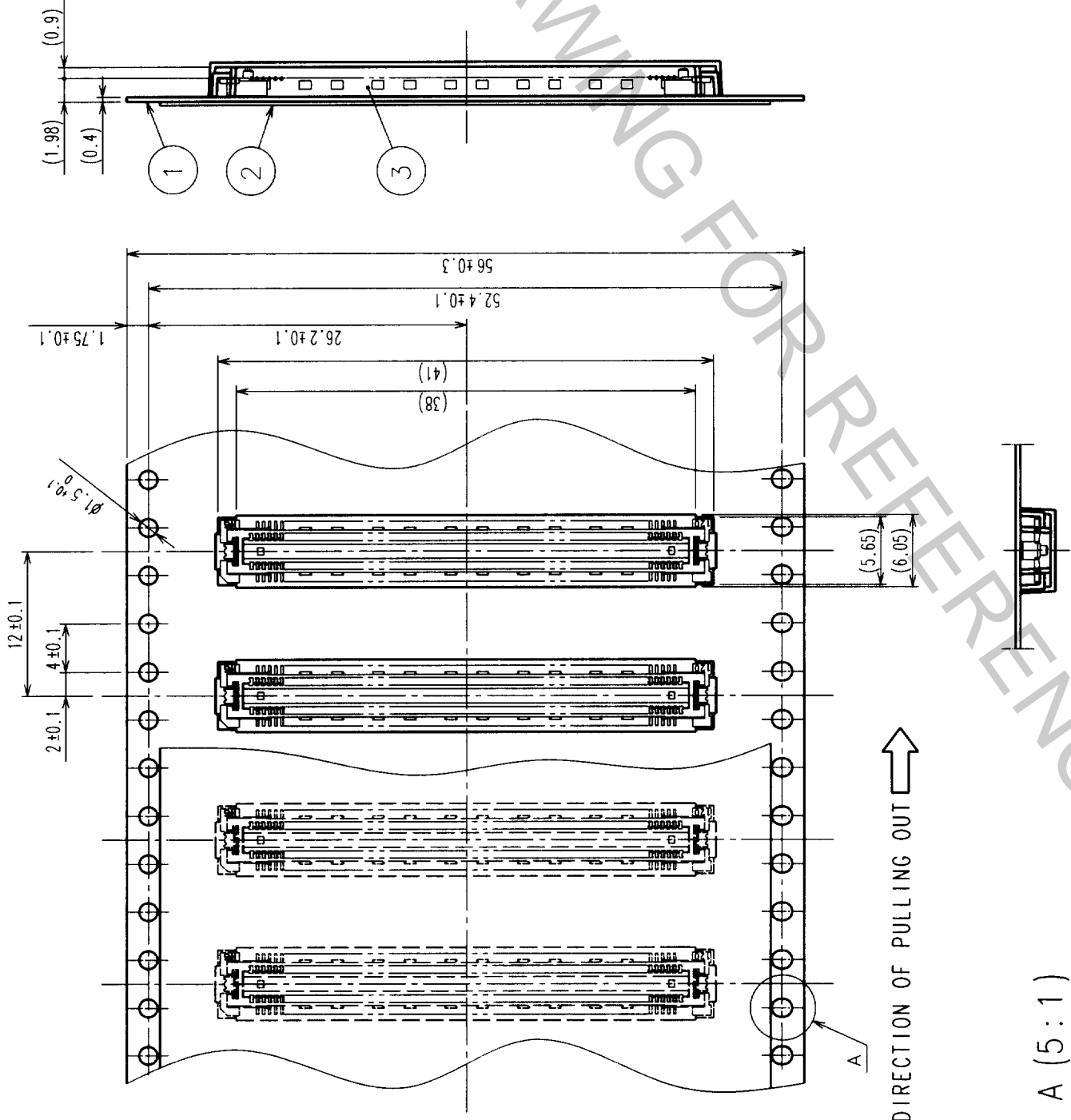
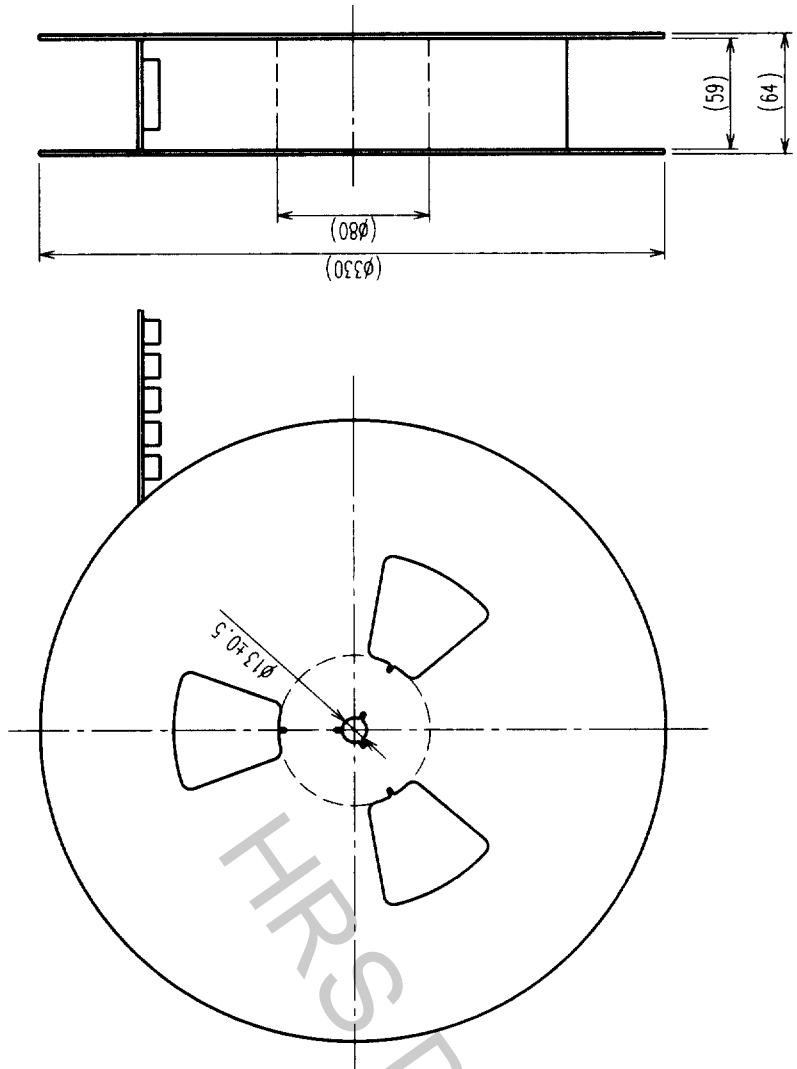
2	COPPER ALLOY	CONTACT AREA: GOLD (0.1μm) OVER NICKEL
1	LCP	LEAD: GOLD FLASH OVER NICKEL
NO.	MATERIAL	FINISH, REMARKS
		BEIGE UL94V-0
CODE NO. (OLD)	CL	
CODE NO. (NEW)		
DRAWN	DESIGNED	CHECKED
<i>M. Saitoh</i>	<i>M. Saitoh</i>	<i>M. Saitoh</i>
DATE	DATE	DATE
99.10.25	99.10.25	99.10.26
		APPROVED
		<i>M. Saitoh</i>
		RELEASED
DRAWING NO.	PART NO.	FINISH, REMARKS
EDC3-152103-01	FX11LA-140P-SV (21)	TIN PLATED
SCALE	CODE NO.	
5 : 1	CL573-0045-0-21	
UNITS		
mm		

- NOTES
- SMT LEAD-COPLANARITY: 0.1 MAX.
 - THIS PRODUCT HAS NO POLARITY TO PATTERN FOR MOUNTING.
 - MAKE SURE WIDTH OF PATTERN IS WITHIN THAT OF LAND, OR LEAD MAY TOUCH PATTERN. (THIS APPLIES TO HATCHED AREA.)
 - DO NOT MOUNT OTHER DEVICES ONTO [] AREA, OR MATING PAIR CANNOT BE MATED.
 - TO BE EMBOSSED CARRIER TAPED AS SPECIFIED IN SHEET 2.

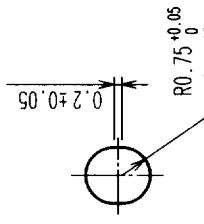
TO	
PCK	

COUNT	DESCRIPTION OF REVISIONS	BY	CHKD	DATE	COUNT	DESCRIPTION OF REVISIONS	BY	CHKD	DATE
△					△				
△					△				
△					△				

REELED DIMENSION (Free)



A (5:1)



- NOTES
- 1 REEL: 1000 CONNECTORS.
 - 2 MINIMUM 10 COMPARTMENTS FROM BOTH REEL ENDS REMAIN EMPTY.
 - 3 THIS PRODUCT HAS NO POLARITY TO TAPE AND REEL PACKAGING.

2	PET	TOP COVER TAPE	3	(CONNECTOR)	FINISH, REMARKS	APPROVED	RELEASED
1	PS	EMBOSSED CARRIER TAPE	3				
NO.	MATERIAL	FINISH, REMARKS	NO.	MATERIAL	FINISH, REMARKS	CHECKED	APPROVED
CODE NO. (OLD)		DRAWN		DESIGNED	CHECKED	APPROVED	RELEASED
CL		<i>Y. Takahashi</i> 99.10.25		<i>M. Sakita</i> 99.10.26		<i>T. Yoshimura</i> 99.10.26	
DRAWING FOR PACKING		PART NO.		FINISH, REMARKS			
SCALE 2 : 1		DRAWING NO.		PART NO.			
UNITS mm		EDC3-152103-01		FX11LA-140P-SV(21)			
		HRS HIROSE ELECTRIC CO., LTD		CODE NO.		CL573-0045-0-21	

TO	
PCK	