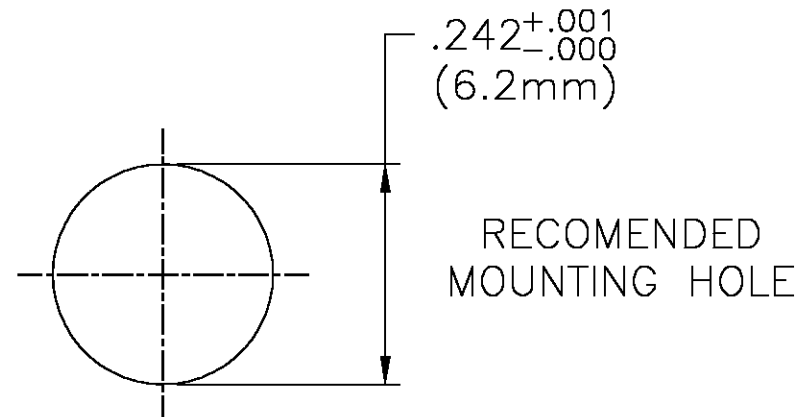
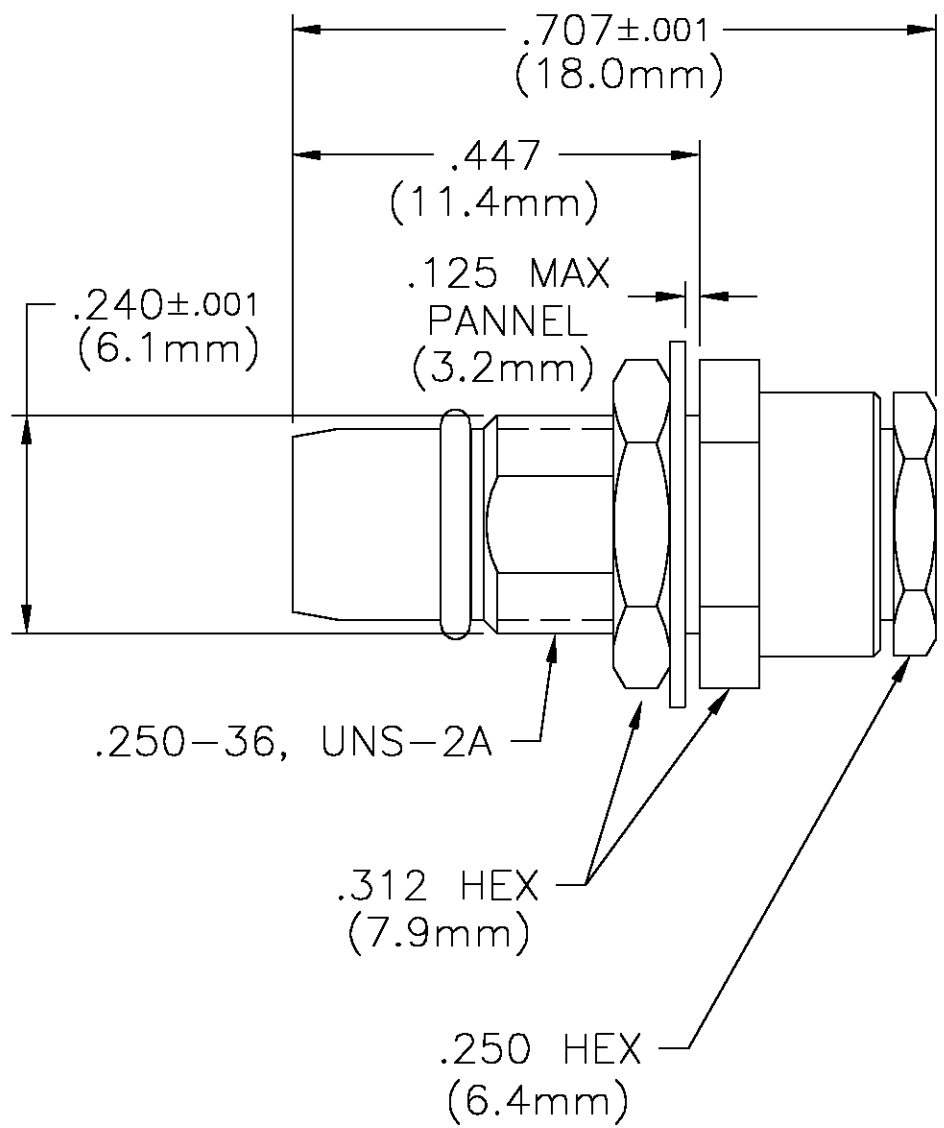


THIS DRAWING IS UNPUBLISHED. RELEASED FOR PUBLICATION
 © COPYRIGHT BY TYCO ELECTRONICS CORPORATION. ALL RIGHTS RESERVED.

LOC	DIST	REVISIONS			
P	LTR	DESCRIPTION	DATE	DWN	APVD
HC	00	B	REV PER 0U20-0262-01	28FEB03	GV JGH



HOUSING CLAMP NUT MOUNTING NUT WASHER	STAINLESS STEEL PER ASTM-A484 AND ASTM- A582, TYPE 303	PASSIVATE PER QQ-P-35
DIELECTRIC	TFE FLUOROCARBON PER MIL-P-19458 AND FED SPEC L-P-403	N/A
CENTER CONTACT	BRASS PER ASTM-B-16 HALF HARD	GOLD PLATE PER MIL-G-45204
LOCK WASHER	ST. STEEL PER QQ-S-763 TYPE 302	PASSIVATE PER QQ-P-35
SLEEVE	BRASS PER QQ-B-626	GOLD PLATE PER MIL- G-45204 OVER COPPER PLATE PER MIL-C-14550
O-RING	FLOUROSILOCONE PER MIL- R-25988, CLASSI, TYPE I.	N/A

COMPONENT	MATERIAL	FINISH
-----------	----------	--------

- NOTES:
- DESIGNED FOR USE WITH .047 DIA SEMI RIGID CABLE
 - CAPTURED CENTER CONTACT

THIS DRAWING IS A CONTROLLED DOCUMENT.		DWN G. VIERA 27FEB03	Tyco Electronics Corporation Harrisburg, PA 17105-3608													
DIMENSIONS: INCHES		CHK J. HAVENER 28FEB03														
TOLERANCES UNLESS OTHERWISE SPECIFIED:		APVD J. HAVENER 28FEB03	NAME OSP BULKHEAD FEED THRU CABLE PLUG SOLDER CLAMP ATTACHMENT													
<table border="1"> <tr><td>0 PLC</td><td>± -</td></tr> <tr><td>1 PLC</td><td>± -</td></tr> <tr><td>2 PLC</td><td>± -</td></tr> <tr><td>3 PLC</td><td>± -</td></tr> <tr><td>4 PLC</td><td>± -</td></tr> <tr><td>ANGLES</td><td>± 1°</td></tr> </table>		0 PLC	± -	1 PLC	± -	2 PLC	± -	3 PLC	± -	4 PLC	± -	ANGLES	± 1°	PRODUCT SPEC -	APPLICATION SPEC -	RESTRICTED TO -
0 PLC	± -															
1 PLC	± -															
2 PLC	± -															
3 PLC	± -															
4 PLC	± -															
ANGLES	± 1°															
MATERIAL -	FINISH 63	WEIGHT -	SIZE A3	CAGE CODE 00779												
CUSTOMER DRAWING			DRAWING NO 1059401-1	SCALE 5:1												
			SHEET 1 OF 1	REV B												