

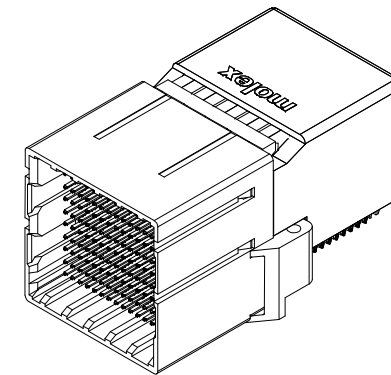
171575-11\*\*

MODULE TYPE  
1 = UNGUIDED, TIN

# OF COLUMNS  
1 = 10 COLUMN

PIN LENGTH (P)  
4 = 4.90 (0.46 PTH)  
5 = 5.50 (0.46 PTH)  
7 = 4.90 (0.39 PTH)  
8 = 5.50 (0.39 PTH)

MATE POSITION  
1 = 90 DEGREE  
3 = 270 DEGREE



OD-RAM WITH OUTRIGGERS

### MATED DIMENSIONS (POSITION 90° SHOWN)

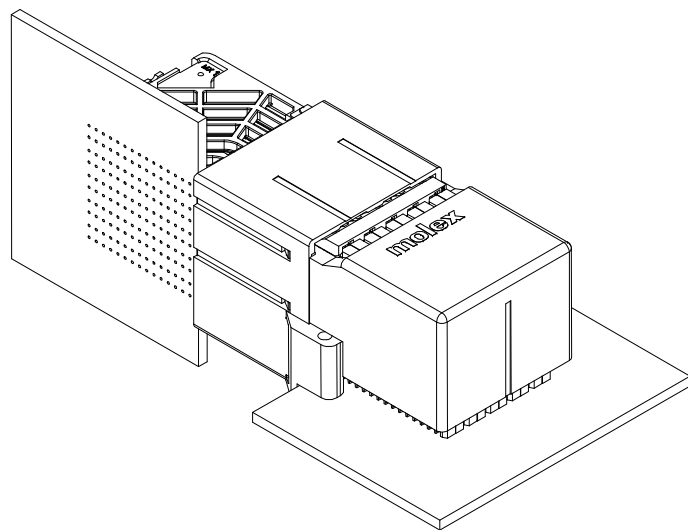
NOTES:

- MATERIALS: HOUSING - LIQUID CRYSTAL POLYMER (LCP)  
GLASS-FILLED, UL94V-0  
TERMINALS - HIGH PERFORMANCE COPPER ALLOY
- FINISH: 30μ MIN GOLD IN CONTACT AREA.  
SELECTIVE TIN ON PCB TAILS.  
NICKEL OVERALL.
- REFER TO MOLEX PRODUCT SPECIFICATION PS-76060-999  
FOR PERFORMANCE SPECIFICATIONS AND ADDITIONAL PCB INFORMATION.
- THIS PART CONFORMS TO CLASS B REQUIREMENTS OF  
COSMETIC SPEC PS-45499-002.
- PACKAGE PER: PK-70873-8022.
- SEE SHEET 3 AND 4 FOR ORTHOGONAL PIN MAPPING.
- REFER TO MOLEX SALES DRAWING SD-76990-001 FOR THE MATING RECEPTACLES.
- REFER TO MOLEX ROUTING GUIDE AS-76850-990 FOR ADDITIONAL PCB LAYOUT  
AND ROUTING RECOMMENDATIONS.
- CONNECTORS ARE SUPPLIED WITH TWO 2-32 SCREWS P/N 73726-0000.  
(9.50mm ±0.38 THREADABLE SCREW LENGTH), THE MAXIMUM BOARD THICKNESS IS 4.4mm.
- THESE DIMENSIONS REPRESENT THE AREA NEEDED TO ACCOMODATE CONNECTOR  
INSERTION AND REPAIR ON THE PC BOARD. THIS IS REFERRED TO AS THE  
"CONNECTOR KEEP OUT ZONE" AND DOES NOT REPRESENT THE ACTUAL PERIMETER  
OF THE CONNECTOR.
- MARKING: LOCATED APPROXIMATELY AS SHOWN, ON THE BOTTOM OR TOP OF  
HOUSING. PART NUMBER AND DATE CODE.

SEE SHEET 1 EC NO: UCP2016-3973 DRWNB: MILLER 2014/12/05 CHKD: TELO 2016/02/22 APPR: TELO 2016/04/20 REV: B2	QUALITY SYMBOLS ▽=0 ▽=0	GENERAL TOLERANCES (UNLESS SPECIFIED)		DIMENSION STYLE <b>MM ONLY</b>	SCALE <b>2:1</b>	DESIGN UNITS <b>METRIC</b>	THIRD ANGLE PROJECTION	
		mm	INCH	DRAWN BY JMENDOZA	DATE 2012/11/30	TITLE <b>IMPACT ORTHOGONAL DIRECT 5 PAIR RAM 90 &amp; 270 ASSY UNGUIDED SALES DRAWING</b>		
		4 PLACES ± --- ± ---	3 PLACES ± --- ± ---	CHECKED BY TELO	DATE 2012/12/04			
		2 PLACES ± 0.13 ± --- 1 PLACE ± 0.25 ± --- ANGULAR ± 1/2°		APPROVED BY TELO		DATE 2013/12/26	MOLEX MOLEX INCORPORATED SD-171575-0001 SHEET NO. 2 OF 4	
DRAFT WHERE APPLICABLE MUST REMAIN WITHIN DIMENSIONS		MATERIAL NO. <b>SEE CHART</b>		DOCUMENT NO.				
THIS DRAWING CONTAINS INFORMATION THAT IS PROPRIETARY TO MOLEX INCORPORATED AND SHOULD NOT BE USED WITHOUT WRITTEN PERMISSION								

# ORTHO POSITION 90°

OD-RAM PIN A1 MAPS  
TO RAF PIN Q10



## ORTHO PIN MAPPING

### OPTION 90 (NEARSIDE - FAR SIDE)

(A1-Q10)	A2-P10	(A3-M10)	A4-L10	(A5-J10)	A6-H10	(A7-F10)	A8-E10	(A9-C10)	A10-B10
B1-Q9	B2-N10	B3-M9	B4-K10	B5-J9	B6-G10	B7-F9	B8-D10	B9-C9	B10-A10
C1-P9	(C2-N9)	C3-L9	(C4-K9)	C5-H9	(C6-G9)	C7-E9	(C8-D9)	C9-B9	(C10-A9)
(D1-Q8)	D2-P8	(D3-M8)	D4-L8	(D5-J8)	D6-H8	(D7-F8)	D8-E8	(D9-C8)	D10-B8
E1-Q7	E2-N8	E3-M7	E4-K8	E5-J7	E6-G8	E7-F7	E8-D8	E9-C7	E10-A8
F1-P7	(F2-N7)	F3-L7	(F4-K7)	F5-H7	(F6-G7)	F7-E7	(F8-D7)	F9-B7	(F10-A7)
(G1-Q6)	G2-P6	(G3-M6)	G4-L6	(G5-J6)	G6-H6	(G7-F6)	G8-E6	(G9-C6)	G10-B6
H1-Q5	H2-N6	H3-M5	H4-K6	H5-J5	H6-G6	H7-F5	H8-D6	H9-C5	H10-A6
J1-P5	(J2-N5)	J3-L5	(J4-K5)	J5-H5	(J6-G5)	J7-E5	(J8-D5)	J9-B5	(J10-A5)
(K1-Q4)	K2-P4	(K3-M4)	K4-L4	(K5-J4)	K6-H4	(K7-F4)	K8-E4	(K9-C4)	K10-B4
L1-Q3	L2-N4	L3-M3	L4-K4	L5-J3	L6-G4	L7-F3	L8-D4	L9-C3	L10-A4
M1-P3	(M2-N3)	M3-L3	(M4-K3)	M5-H3	(M6-G3)	M7-E3	(M8-D3)	M9-B3	(M10-A3)
(N1-Q2)	N2-P2	(N3-M2)	N4-L2	(N5-J2)	N6-H2	(N7-F2)	N8-E2	(N9-C2)	N10-B2
P1-Q1	P2-N2	P3-M1	P4-K2	P5-J1	P6-G2	P7-F1	P8-D2	P9-C1	P10-A2
Q1-P1	(Q2-N1)	Q3-L1	(Q4-K1)	Q5-H1	(Q6-G1)	Q7-E1	(Q8-D1)	Q9-B1	(Q10-A1)

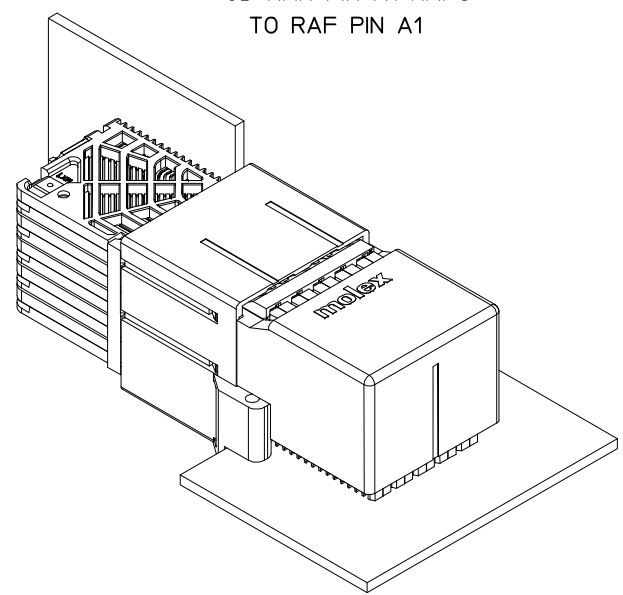
NOTE: PINOUTS SHOWN IN BALLOONS ARE GROUNDS.  
GROUND PATHS ARE NOT DISCRETE CIRCUITS.

MATERIAL NUMBER	# OF COLUMNS	# OF DIFF PAIR	MATE POSITION	DIM P	PTH $\phi$
171575-1114	10	50	90	4.90	0.46±0.05
171575-1115	10	50	90	5.50	0.46±0.05
171575-1117	10	50	90	4.90	0.39±0.05
171575-1118	10	50	90	5.50	0.39±0.05

SEE SHEET 1	EC NO: UCP2016-3973 DRAWN BY: DRWINB MILLER CHKD: TELO APPR: TELO	2014/12/05 2016/02/22 2016/04/20	DESCRIPTION	QUALITY SYMBOLS	GENERAL TOLERANCES (UNLESS SPECIFIED)	DIMENSION STYLE		SCALE	DESIGN UNITS	THIRD ANGLE PROJECTION	
				$\nabla = 0$ $\nabla = 0$ $\nabla = 0$		MM ONLY		2:1	METRIC	TITLE <b>IMPACT ORTHOGONAL DIRECT 5 PAIR RAM 90 &amp; 270 ASSY UNGUIDED SALES DRAWING</b> MOLEX MOLEX INCORPORATED	
						4 PLACES $\pm$ --- $\pm$ ---	DRAWN BY	DATE	MATERIAL NO. <b>SEE CHART</b>		DOCUMENT NO. <b>SD-171575-0001</b>
						3 PLACES $\pm$ --- $\pm$ ---	JMENDOZA	2012/11/30			
2 PLACES $\pm 0.13$ $\pm$ ---	CHECKED BY	DATE									
1 PLACE $\pm 0.25$ $\pm$ ---	TELO	2012/12/04	APPROVED BY		DATE	SHEET NO. 3 OF 4					
ANGULAR $\pm 1/2^\circ$	TELO	2013/12/26	TELO		2013/12/26						
DRAFT WHERE APPLICABLE MUST REMAIN WITHIN DIMENSIONS				THIS DRAWING CONTAINS INFORMATION THAT IS PROPRIETARY TO MOLEX INCORPORATED AND SHOULD NOT BE USED WITHOUT WRITTEN PERMISSION							

### ORTHO POSITION 270°

OD-RAM PIN A1 MAPS  
TO RAF PIN A1



ORTHO PIN MAPPING									
OPTION 270 (NEAR SIDE - FARSIDE)									
(A1-A1)	A2-B1	(A3-D1)	A4-E1	(A5-G1)	A6-H1	(A7-K1)	A8-L1	(A9-N1)	A10-P1
B1-A2	B2-C1	B3-D2	B4-F1	B5-G2	B6-J1	B7-K2	B8-M1	B9-N2	B10-O1
C1-B2	(C2-C2)	C3-E2	(C4-F2)	C5-H2	(C6-J2)	C7-L2	(C8-M2)	C9-P2	(C10-Q2)
(D1-A3)	D2-B3	(D3-D3)	D4-E3	(D5-G3)	D6-H3	(D7-K3)	D8-L3	(D9-N3)	D10-P3
E1-A4	E2-C3	E3-D4	E4-F3	E5-G4	E6-J3	E7-K4	E8-M3	E9-N4	E10-Q3
F1-B4	(F2-C4)	F3-E4	(F4-F4)	F5-H4	(F6-J4)	F7-L4	(F8-M4)	F9-P4	(F10-Q4)
(G1-A5)	G2-B5	(G3-D5)	G4-E5	(G5-G5)	G6-H5	(G7-K5)	G8-L5	(G9-N5)	G10-P5
H1-A6	H2-C5	H3-D6	H4-F5	H5-G6	H6-J5	H7-K6	H8-M5	H9-N6	H10-O5
J1-B6	(J2-C6)	J3-E6	(J4-F6)	J5-H6	(J6-J6)	J7-L6	(J8-M6)	J9-P6	(J10-Q6)
(K1-A7)	K2-B7	(K3-D7)	K4-E7	(K5-G7)	K6-H7	(K7-K7)	K8-L7	(K9-N7)	K10-P7
L1-A8	L2-C7	L3-D8	L4-F7	L5-G8	L6-J7	L7-K8	L8-M7	L9-N8	L10-O7
M1-B8	(M2-C8)	M3-E8	(M4-F8)	M5-H8	(M6-J8)	M7-L8	(M8-M8)	M9-P8	(M10-Q8)
(N1-A9)	N2-B9	(N3-D9)	N4-E9	(N5-G9)	N6-H9	(N7-K9)	N8-L9	(N9-N9)	N10-P9
P1-A10	P2-C9	P3-D10	P4-F9	P5-G10	P6-J9	P7-K10	P8-M9	P9-N10	P10-Q9
Q1-B10	(Q2-C10)	Q3-E10	(Q4-F10)	Q5-H10	(Q6-J10)	Q7-L10	(Q8-M10)	Q9-P10	(Q10-Q10)

NOTE: PINOUTS SHOWN IN BALLOONS ARE GROUNDS.  
GROUND PATHS ARE NOT DISCRETE CIRCUITS.

MATERIAL NUMBER	# OF COLUMNS	# OF DIFF PAIR	MATE POSITION	DIM P	PTH $\phi$
171575-1134	10	50	270	4.90	0.46±0.05
171575-1135	10	50	270	5.50	0.46±0.05
171575-1137	10	50	270	4.90	0.39±0.05
171575-1138	10	50	270	5.50	0.39±0.05

SEE SHEET 1 EC NO: UCP2016-3973 DRAWN BY MILLER 2014/12/05 CHKD:TELO 2016/02/22 APPR:TELO 2016/04/20	QUALITY SYMBOLS	GENERAL TOLERANCES (UNLESS SPECIFIED) mm INCH 4 PLACES ± --- ± --- 3 PLACES ± --- ± --- 2 PLACES ± 0.13 ± --- 1 PLACE ± 0.25 ± --- ANGULAR ± 1/2°	DIMENSION STYLE	SCALE	DESIGN UNITS	THIRD ANGLE PROJECTION
			MM ONLY	2:1	METRIC	
			DRAWN BY DATE	TITLE		
			JMENDOZA 2012/11/30	IMPACT ORTHOGONAL DIRECT 5 PAIR RAM 90 & 270 ASSY UNGUIDED SALES DRAWING		
	CHECKED BY DATE	APPROVED BY DATE	MATERIAL NO.		DOCUMENT NO.	SHEET NO.
	TELO 2012/12/04	TELO 2013/12/26	SEE CHART		SD-171575-0001	4 OF 4
	DRAFT WHERE APPLICABLE MUST REMAIN WITHIN DIMENSIONS					
	THIS DRAWING CONTAINS INFORMATION THAT IS PROPRIETARY TO MOLEX INCORPORATED AND SHOULD NOT BE USED WITHOUT WRITTEN PERMISSION					