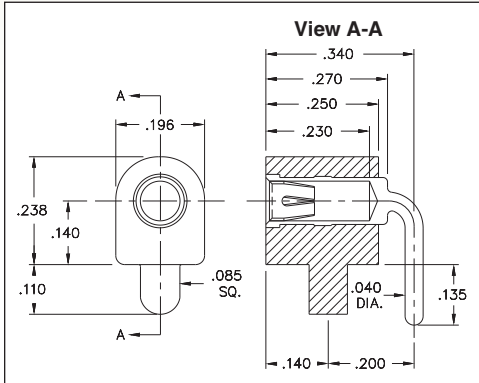


SERIES 395...3XX • RIGHT ANGLE SOCKET • TEST POINT



- Available to accept 3 pin sizes: 1, 1.5, & 2mm
- Uses high temperature PCT polyester insulator
- Standard insulator color is black
- For Electrical, Mechanical and Environmental Data, see page 264 for details



Pin Size	ORDERING INFORMATION						
1.0mm	395-XX-101-34-340000						
1.5mm	395-XX-101-03-380000						
2.0mm	395-XX-101-07-350000						
<p>RECOMMENDED MOUNTING HOLES</p> <p>XX=Plating Code See Below</p> <p style="color: green; font-weight: bold;">RoHS-2 2011/65/EU</p>							
SPECIFY PLATING CODE XX =	13 ◆		93				
Sleeve (Pin)	10 μ" Au		200 μ" Sn/Pb				
Contact (Clip)	30 μ" Au		30 μ" Au				