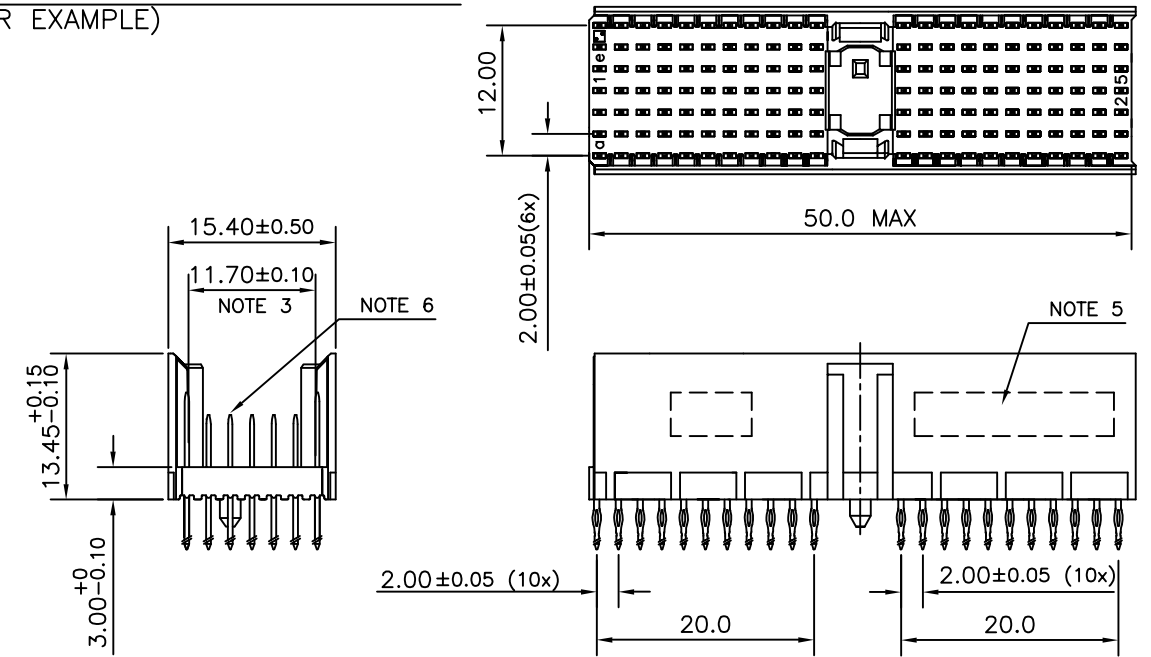


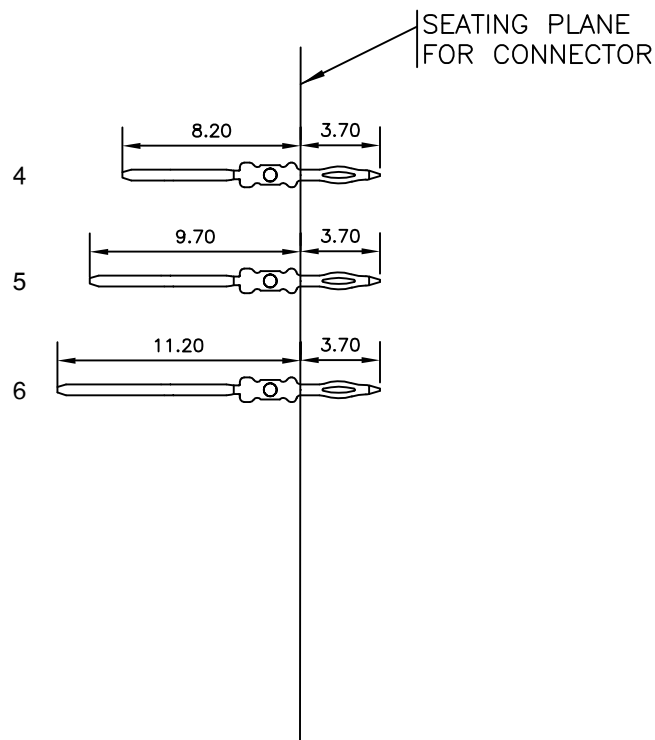
LOADING PATTERN MATING SIDE

f	6	6	6	6	6	6	6	6	6	6	6			6	6	6	6	6	6	6	6	6	6	6	6	6	6
e	4	4	4	4	4	4	4	4	4	4	4			4	4	4	4	4	4	4	4	4	4	4	4	4	4
d	4	4	4	4	4	4	4	4	4	4	4			4	4	4	4	4	4	4	4	4	4	4	4	4	4
c	4	4	4	4	4	4	4	4	4	4	4			4	4	5	5	4	4	4	4	4	4	4	4	4	4
b	4	4	4	4	4	4	4	4	4	4	4			4	4	4	4	4	4	4	4	4	4	4	4	4	4
a	4	4	4	4	4	4	4	4	4	4	4			4	4	4	4	4	4	4	4	4	4	4	4	4	4
z	6	6	6	6	6	6	6	6	6	6	6			6	6	6	6	6	6	6	6	6	6	6	6	6	6
P																											
S	0	1	5	0	1	5	2	0	2	5																	

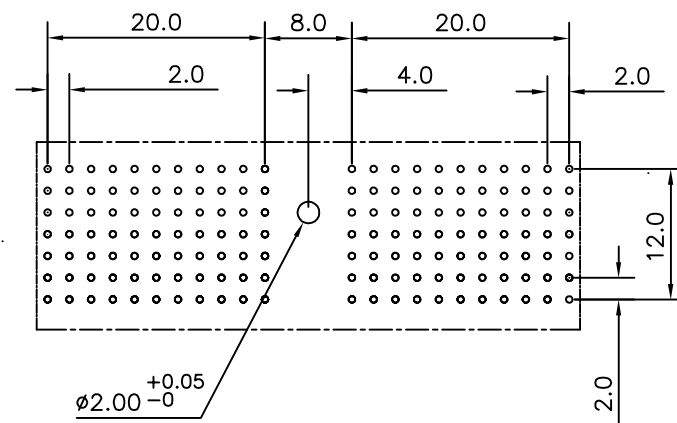
LOADED CONNECTOR ASSEMBLY (FOR EXAMPLE)



CONTACT OVERVIEW



LAY-OUT P.C.B.-HOLE



LEAD FREE INDICATOR : LF = LEAD FREE (DIGIT 15 & 16)

HM2P07PDU2U1

PLATING CODE (DIGIT 13 AND 14) (REF DRW NO. BS,C , 201844 , 003)

NOTES

1. THIS PRODUCT IS CSA APPROVED.
 2. THIS PRODUCT IS UL RECOGNIZED.
 3. MEASURED AT THE BOTTOM.
 4. MATERIAL CONTACT: PHOSPHORBRONZE
HOUSING: CREAM WHITE GLASS FILLED POLYESTER UL-94V0
 5. CONNECTOR PRINTED WITH P/N AND DATE CODE.
 6. FOR ACTUAL CONTACT LOADINGS, SEE LOADING PATTERN MATING SIDE.
 7. SHAPE OF CONNECTOR HOUSING CAN ALTER DEPENDING ON PRODUCTION LOCATION
 8. THE PRODUCT (LF) MEETS EUROPEAN UNION DIRECTIVES AND OTHER COUNTRY REGULATIONS AS DESCRIBED IN GS-22-008
 9. FOR RECOMMENDED PTH DIMENSIONS REFER DRAWING : BS, A , 201572 , 001
- CATALOG NO: HM2P07PDU2U1----

mat'l. code SEE NOTE 4				surface ISO 1302 ✓		tolerance ISO 406 ISO 1101		projection MM		product family MILLIPACS			
ltr				ecn no		dr		date		tolerances unless otherwise specified		title	
A				I03-0030		JAY		04/07/2003		angles		MPACS 5+2R STR HDR PF CONN TYPE A	
B				I05-0171		MINI		23/09/2005		linear		scale	
C				I06-0077		MINI		22/06/2006		0°±1°		—	
								dr		JAYADEEP P		03/07/2003	
								enr		BIJU K PAUL		03/07/2003	
								chr		BIJU K PAUL		22/06/2006	
								appd		K V SIVADAS		22/06/2006	
sheet index				revision sheet		C		1		FCI		dwg no sheet 1 of 1 size A3	
												BS, C , 203028, 046	
												type Product Customer Drawing	