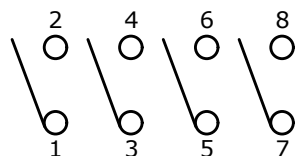
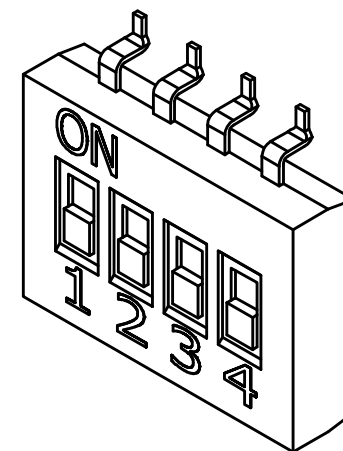


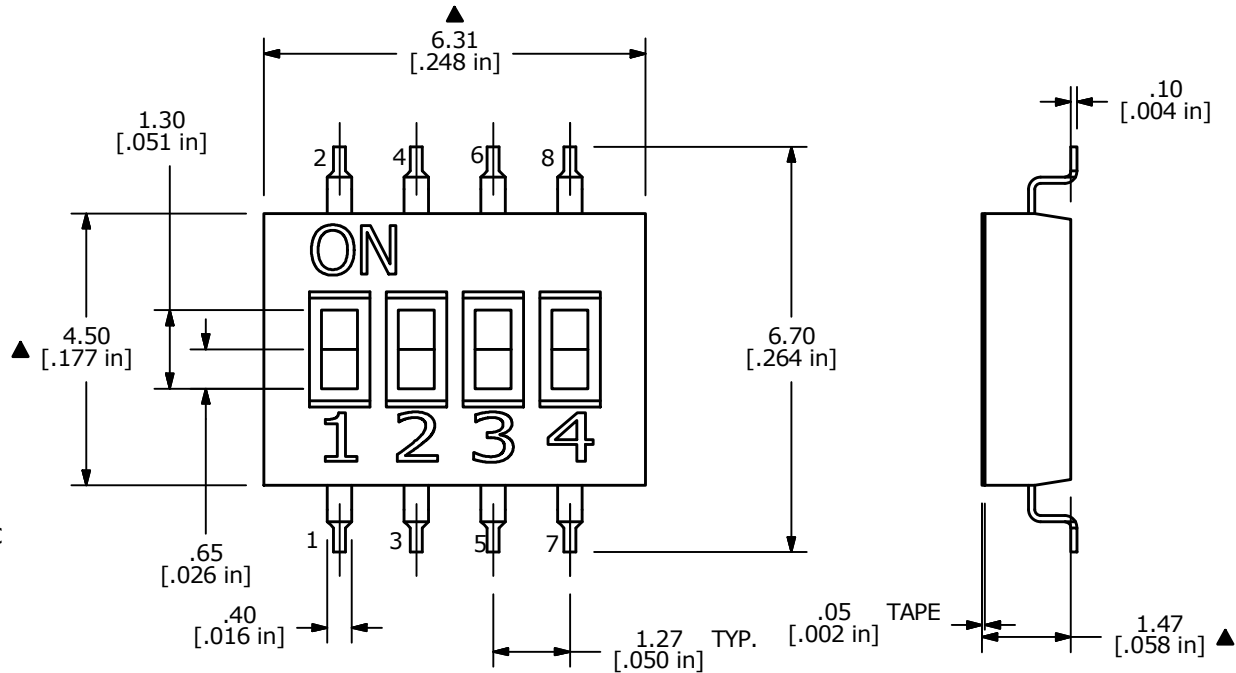
PC LAYOUT



CIRCUIT LAYOUT



ISOMETRIC



NOTE:

1. ALL DIMENSIONS IN MM [INCH]
2. GENERAL TOLERANCE: X.X=± 0.4
X.XX=± 0.25
3. TERMINAL NUMBERS FOR REF. ONLY.
- ▲ 4. OPERATING FORCE: 500± 100 gf
5. TRAVEL: 0.6± 0.25 mm
6. CONTACT RATING: 25mA, 24VDC
7. CONTACT RESISTANCE: 100mΩ MAX.
8. INSULATION RESISTANCE: 100MΩ MIN @ 500VDC
9. DIELECTRIC STRENGTH: 300VAC 1 MIN.
10. LIFE: 1,000 CYCLES.
11. OPERATING TEMPERATURE: -40°C TO 85°C
- ▲ 12. PACKAGING: 75 PCS TUBE
13. ▲ DENOTES CRITICAL PARAMETER.
14. 2002/95/EC (ROHS) COMPLIANT
15. ALL SWITCHES SHIPPED IN THE 'OFF' POSITION



TITLE KAN1104RT

E	22233	UPDATED NOTE #15	3/30/16	MJR
REV	PCR NO	DESCRIPTION	DATE	BY

SCALE	DATE	DR	DWG	REV
8:1	7/13/2007	BLR	N111202	E

THE INFORMATION CONTAINED IN THIS DOCUMENT IS PROPRIETARY TO E-SWITCH AND IS NOT TO BE COPIED OR TRANSFERRED