

4

3

2

1

THIS DRAWING IS UNPUBLISHED.

RELEASED FOR PUBLICATION

© COPYRIGHT - BY TYCO ELECTRONICS CORPORATION. ALL RIGHTS RESERVED.

LOC	DIST	REVISIONS					
		P	LTR	DESCRIPTION	DATE	DWN	APVD
H	-		A	RELEASED PER ECR-13-003079	07MAR2013	PP	OL
			B	CHANGE PER ECR-13-006472	17APR2013	PP	OL

NOTES:

1. MATERIALS:

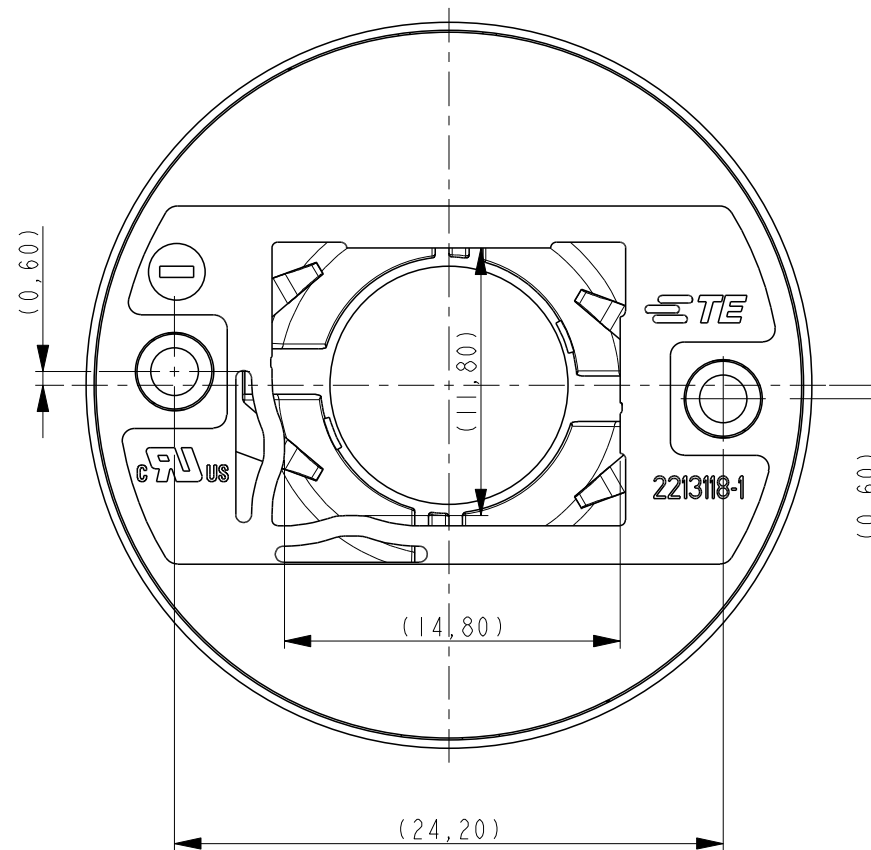
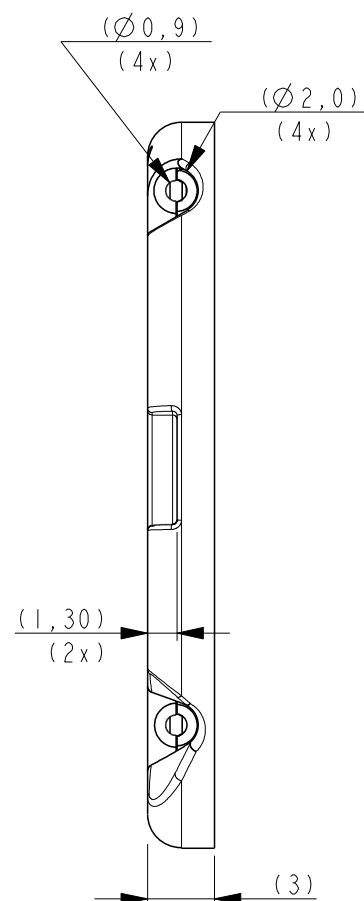
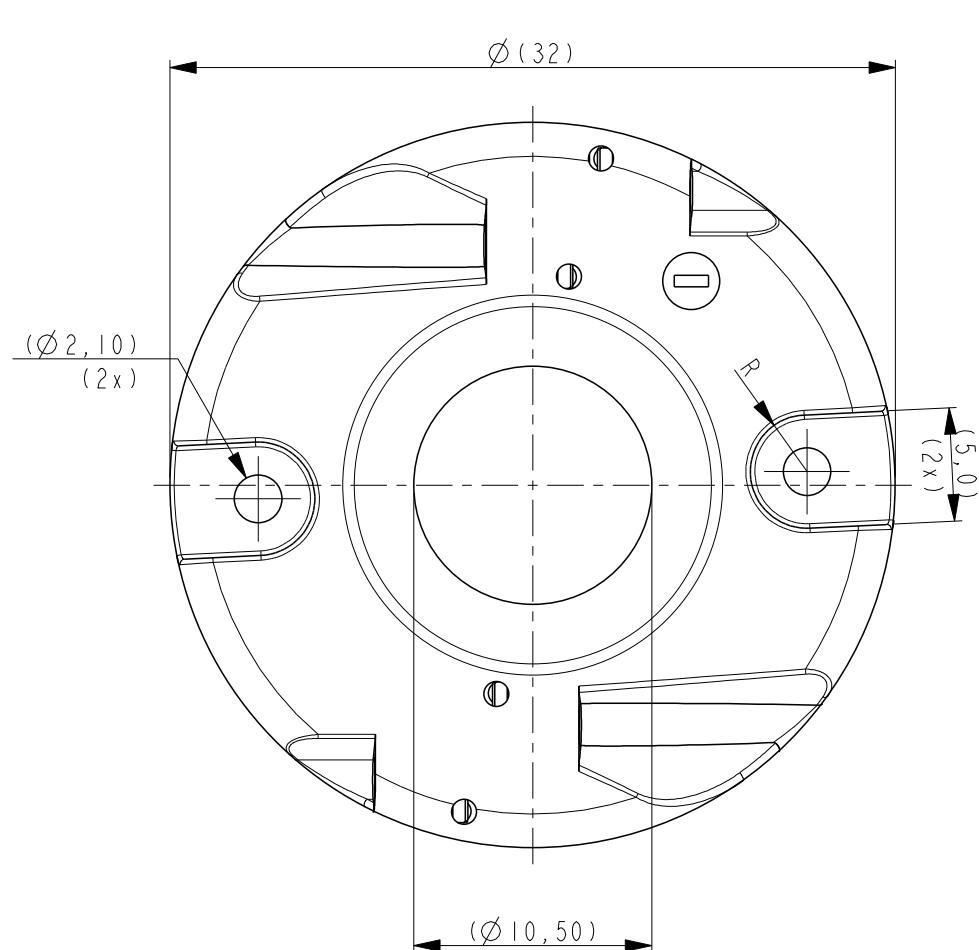
- BASE & COVER: PBT,
- COLOR: NATURAL,
- CONTACTS: COPPER ALLOY.


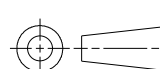
2. FOR SOLID AND STRANDED WIRE AWG 22 - 20 USE.

3. COMPLIES WITH DIRECTIVE 2002/95/EC (ROHS).

4. SCREWS TO BE USED: M2x6.

5. FOR LED TYPE: SHARP MINI ZENIGATA.



THIS DRAWING IS A CONTROLLED DOCUMENT.		DWN P. POORTER 19 JUL 2012	 TE Connectivity	
DIMENSIONS: mm		CHK O. LEIJNSE 19 JUL 2012		
		APVD O. LEIJNSE 19 JUL 2012	NAME LED HOLDER	
TOLERANCES UNLESS OTHERWISE SPECIFIED:		PRODUCT SPEC 108-133006	Sharp Mini Zenigata	
0 PLC ±-		APPLICATION SPEC 114-32045	SIZE A3	CAGE CODE 00779
1 PLC ±-		WEIGHT -	DRAWING NO C-2213118	RESTRICTED TO -
2 PLC ±-		CUSTOMER DRAWING		
3 PLC ±-		SCALE 3:1		
4 PLC ±-		SHEET 1 OF 2		
ANGLES ±-		REV B		
FINISH -				

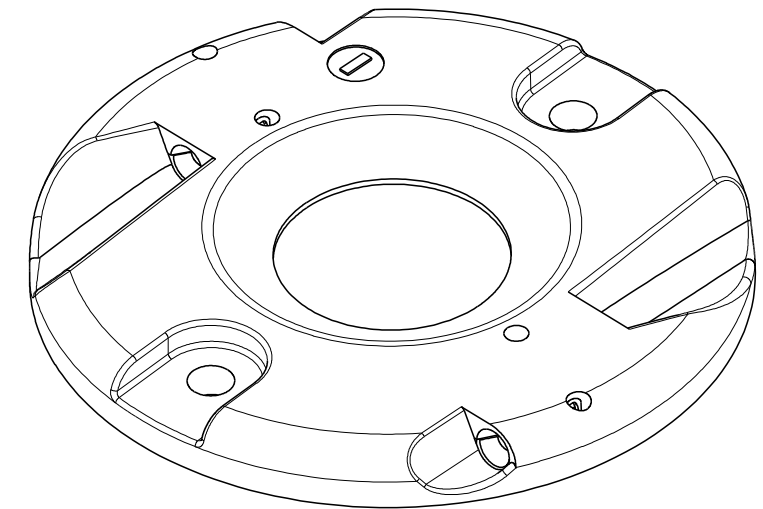
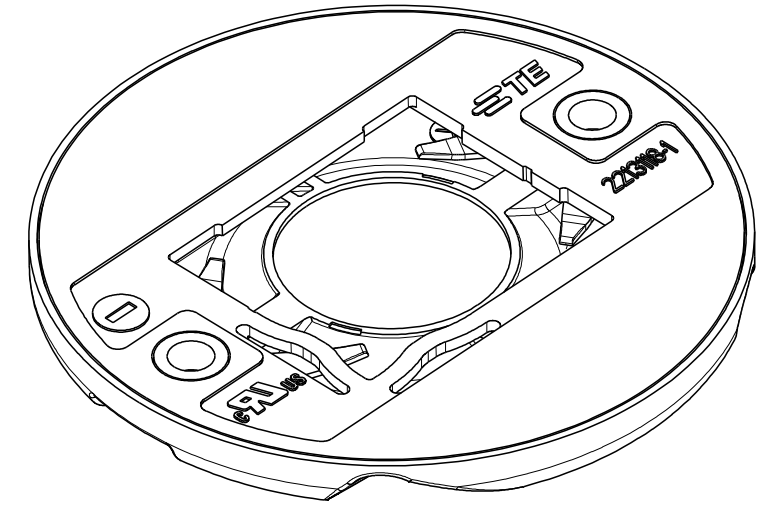
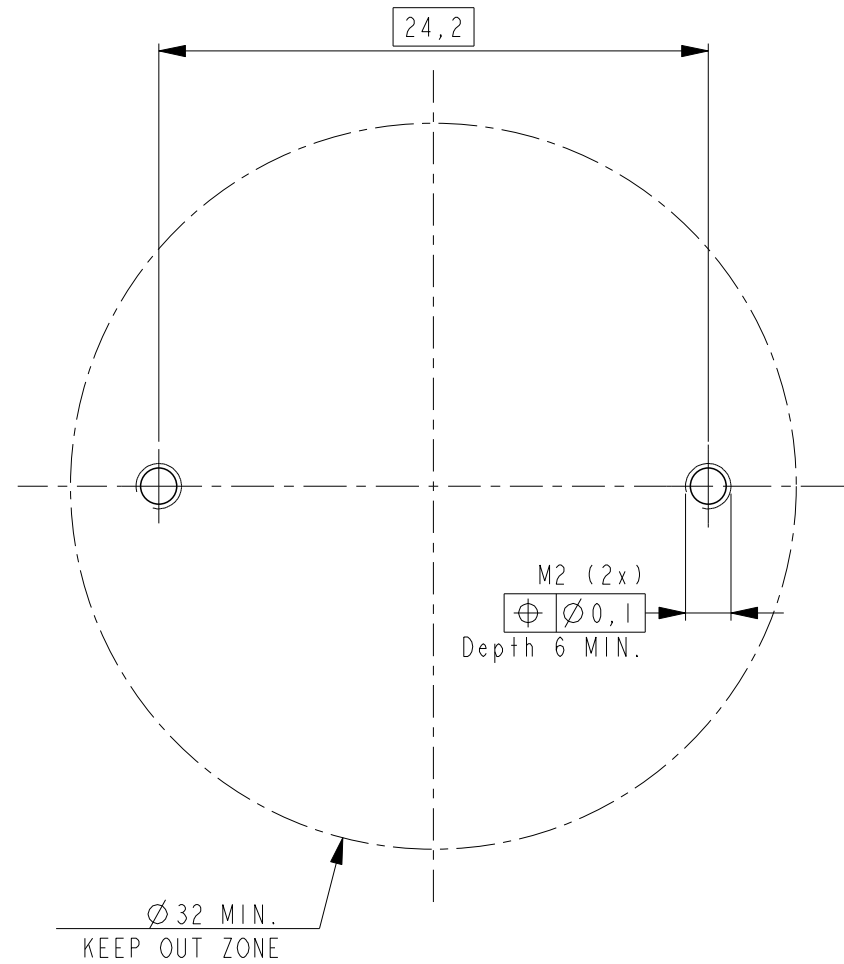
THIS DRAWING IS UNPUBLISHED.


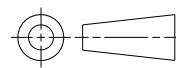
RELEASED FOR PUBLICATION

© COPYRIGHT - BY TYCO ELECTRONICS CORPORATION. ALL RIGHTS RESERVED.

LOC	DIST	REVISIONS					
		P	LTR	DESCRIPTION	DATE	DWN	APVD
H	-	-	-	SEE SHEET 1	-	-	-

RECOMMENDED DRILLING HOLE PATTERN



THIS DRAWING IS A CONTROLLED DOCUMENT.		DWN P. POORTER 19 JUL 2012	 TE Connectivity		
DIMENSIONS: mm		CHK O. LEIJNSE 19 JUL 2012			NAME LED HOLDER Sharp Mini Zenigata
		APVD O. LEIJNSE 19 JUL 2012			
TOLERANCES UNLESS OTHERWISE SPECIFIED:		PRODUCT SPEC 108-133006	RESTRICTED TO		
MATERIAL -		APPLICATION SPEC 114-32045	SIZE A3		
FINISH -		WEIGHT -	CAGE CODE 00779		
		CUSTOMER DRAWING	DRAWING NO C-2213118		
			SCALE 3:1		
			SHEET 2 OF 2		
			REV B		

D

C

B

A