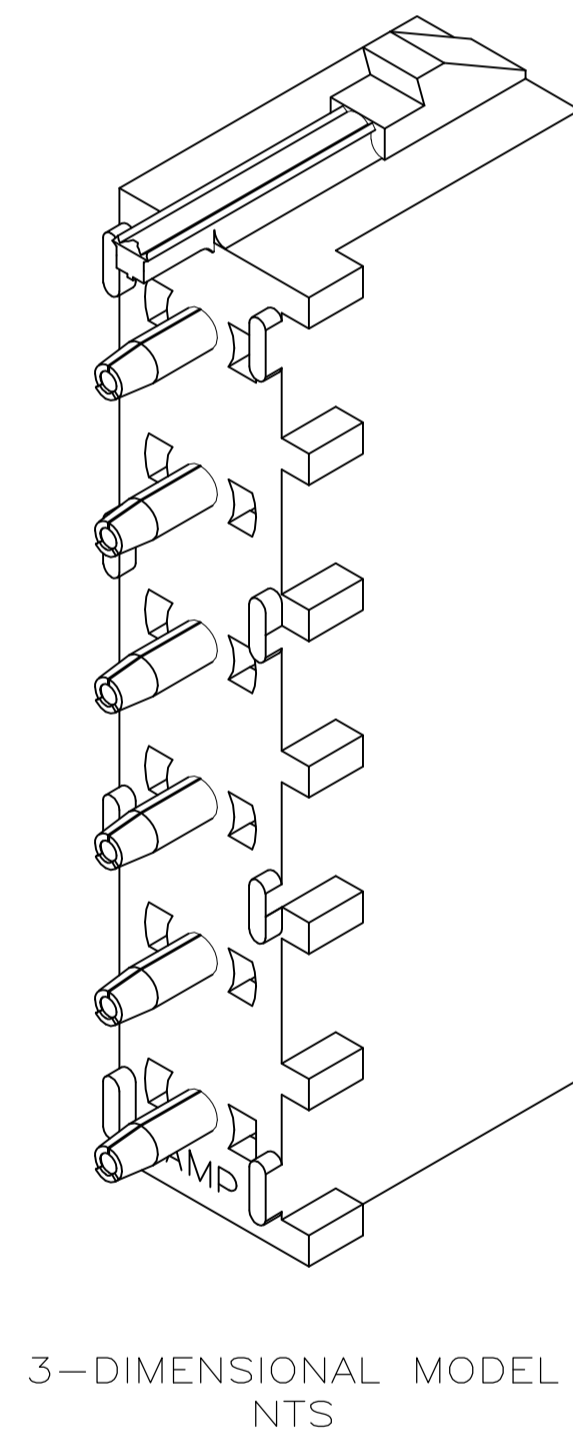
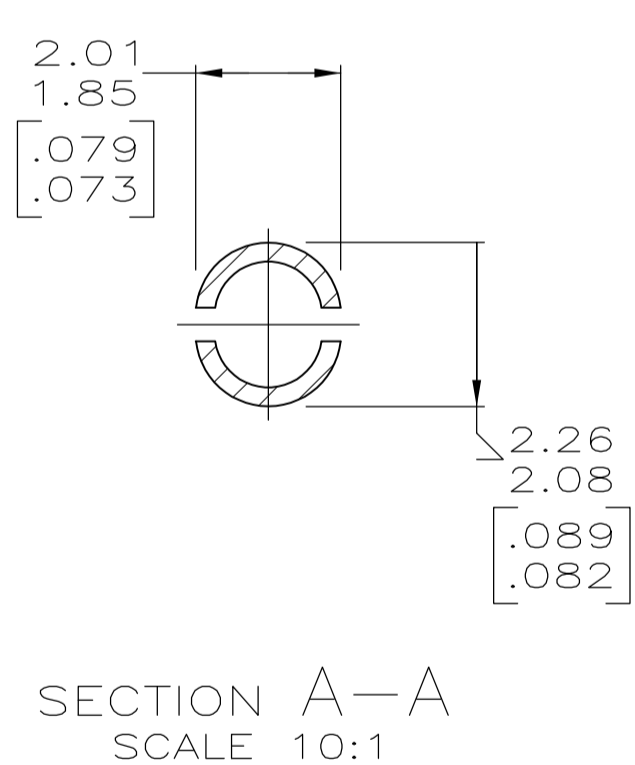
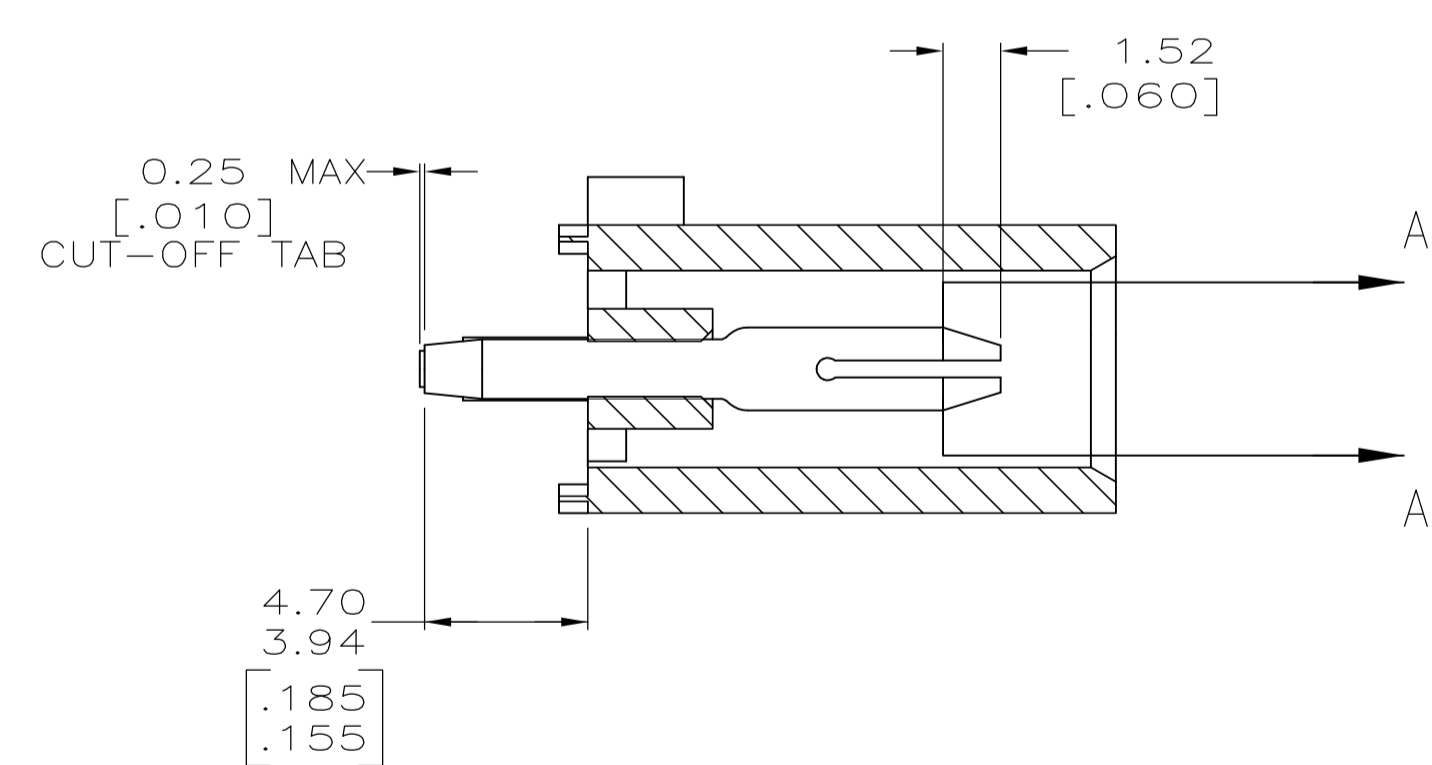
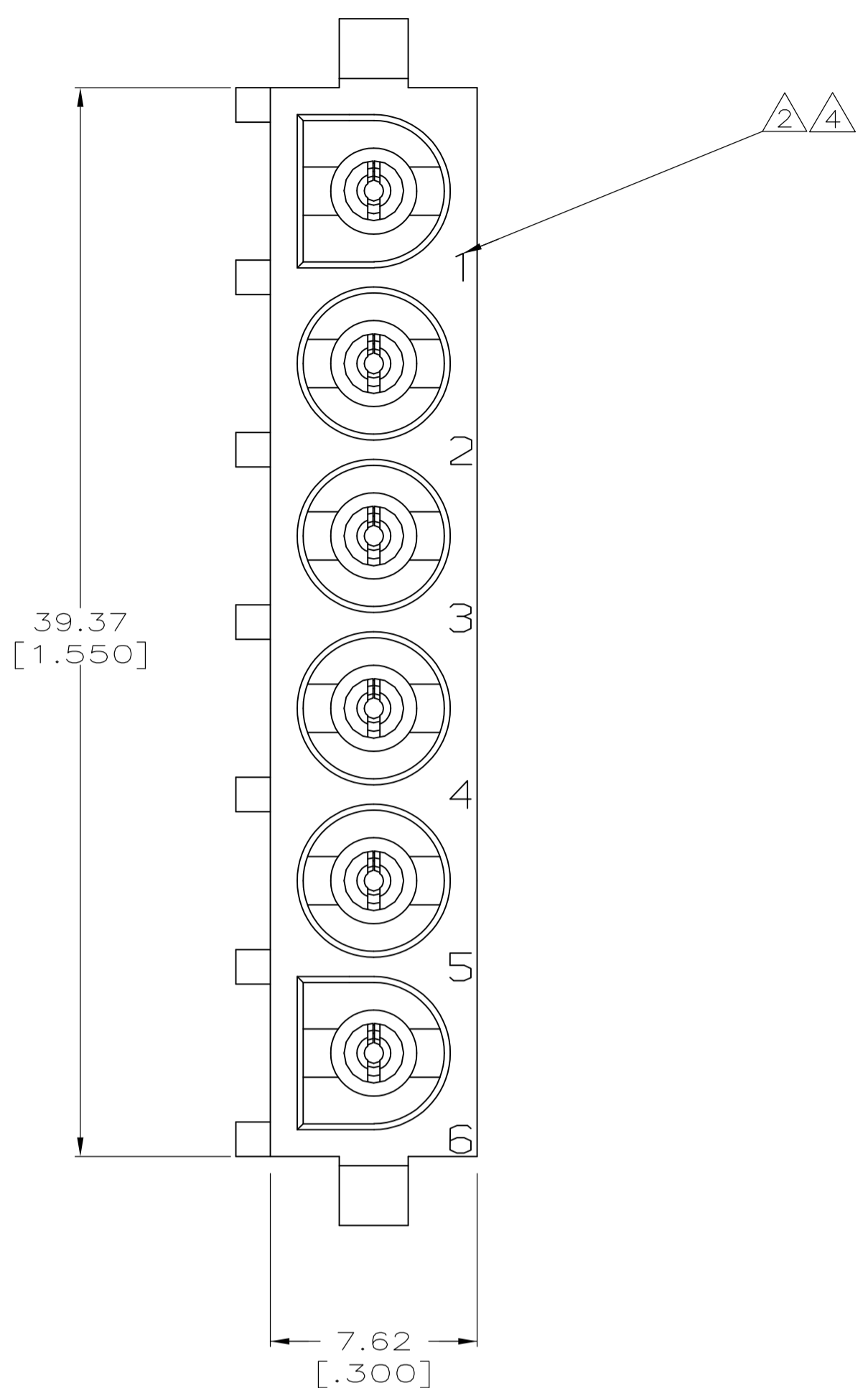
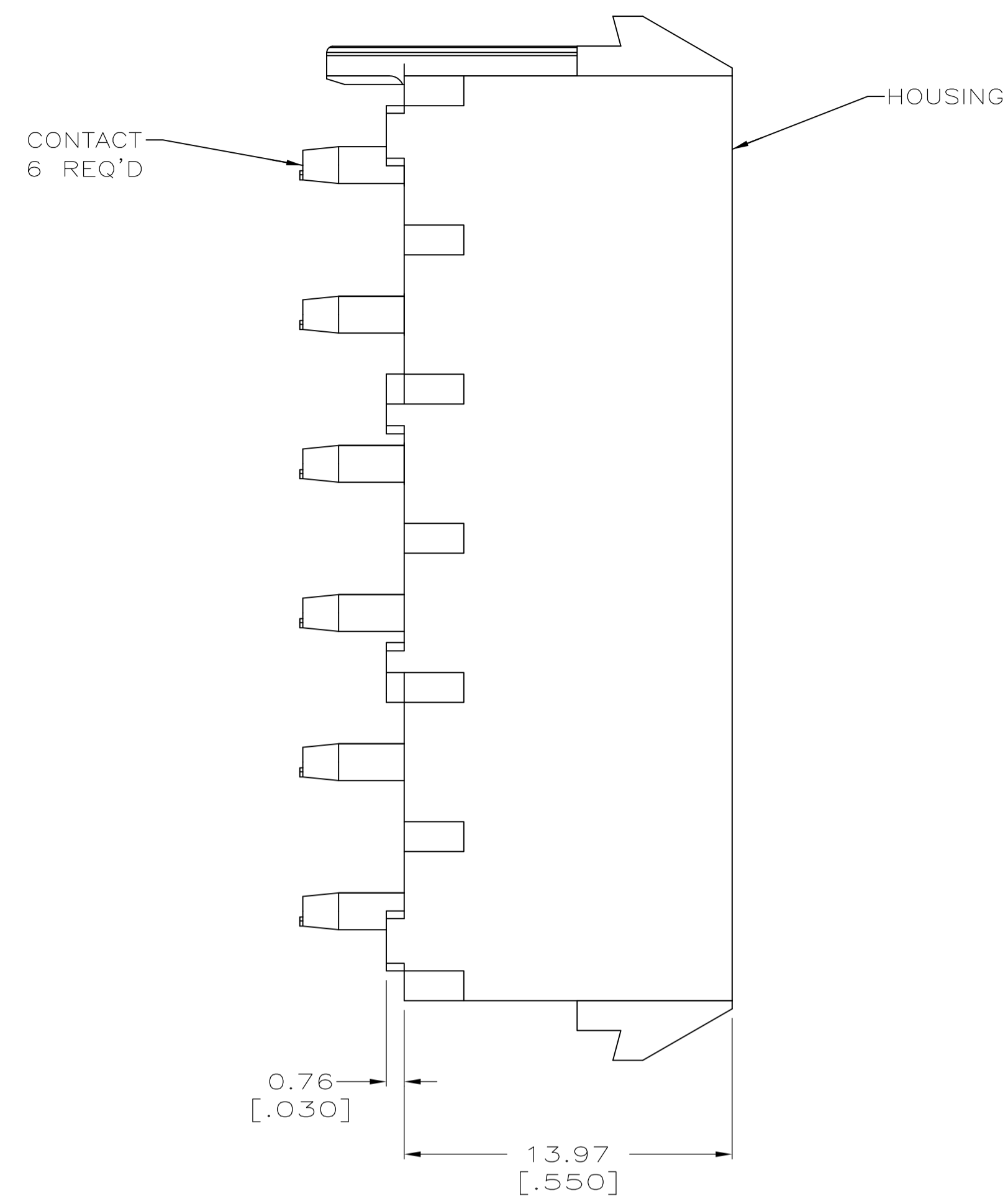
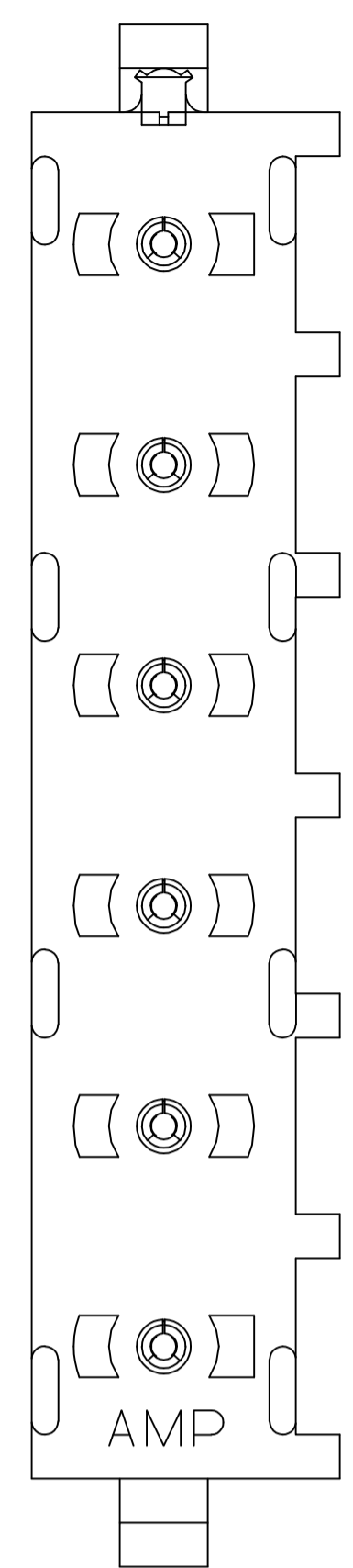
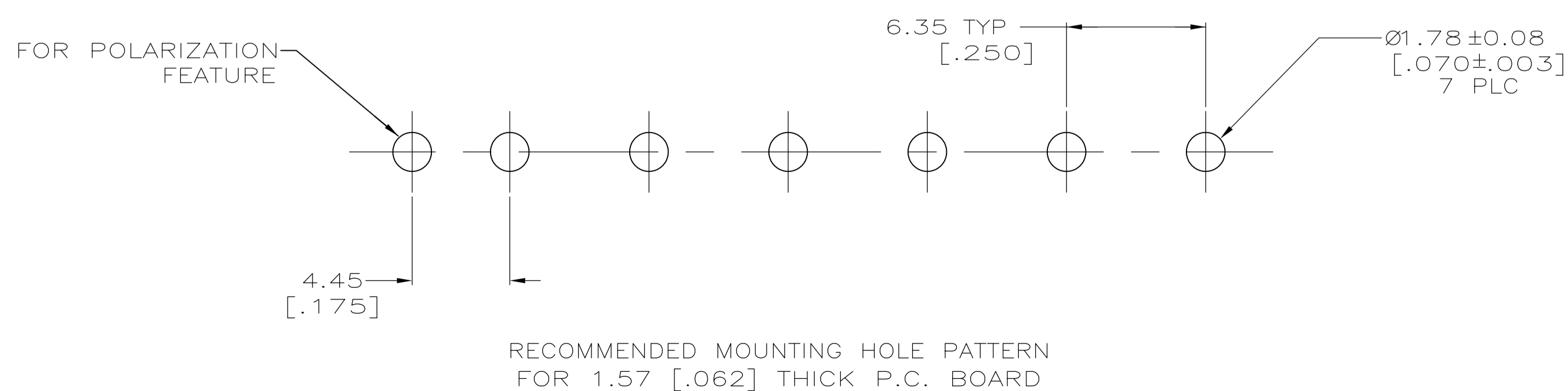


LOC		DIST		REVISIONS			
P	LTR	DESCRIPTION	DATE	DNW	APVD		
M2		REVISED PER ECR 11-002770	10FEB11	JR	TM		



- PARTS COMPLY TO AMP SOLDERABILITY SPECIFICATION 109-11-3.
- CIRCUIT IDENTIFICATION CHARACTERS ARE ADJACENT TO THE INDICATED CAVITIES, BUT LOCATION AND ORIENTATION MAY DIFFER FROM PRINT.
- DIMENSIONS IN BRACKETS ARE IN INCHES.
- IDENTIFICATION WILL APPEAR AT CIRCUIT NO. 1, OTHERS OPTIONAL.
- 0.76 MICRO-METERS [30 MICRO-INCHES] MINIMUM GOLD



PHOSPHOR BRONZE, GOLD <sup>5</sup>	NYLON, UL94V-0, WHITE	643408-3
PHOSPHOR BRONZE, PRE-TIN	NYLON, UL94V-0, WHITE	643408-1
PIN CONTACT MATL AND FINISH	HOUSING MATERIAL	PART NO.
THIS DRAWING IS A CONTROLLED DOCUMENT.		
DIMENSIONS: mm [INCHES] TOLERANCES UNLESS OTHERWISE SPECIFIED: 0 PLC ± - 1 PLC ± - 2 PLC ± 0.13 [.005] 3 PLC ± - 4 PLC ± - ANGLES ± -		APVD: L. McEACHIN 07-JAN-2000 CHK: K. COBLE 07-JUN-2000 NAME: Tyco Electronics Corporation Harrisburg, PA 17105-3608 PRODUCT SPEC: PIN HEADER ASSEMBLY, POLARIZED, 6 CIRCUIT UNIVERSAL MATE-N-LOK APPLICATION SPEC:
MATERIAL: SEE TABLE	FINISH: SEE TABLE	SIZE: A1 CAGE CODE: 00779 DRAWING NO: 643408 WEIGHT: - RESTRICTED TO: - CUSTOMER DRAWING
SCALE: 5:1		SHEET 1 OF 1 REV M2