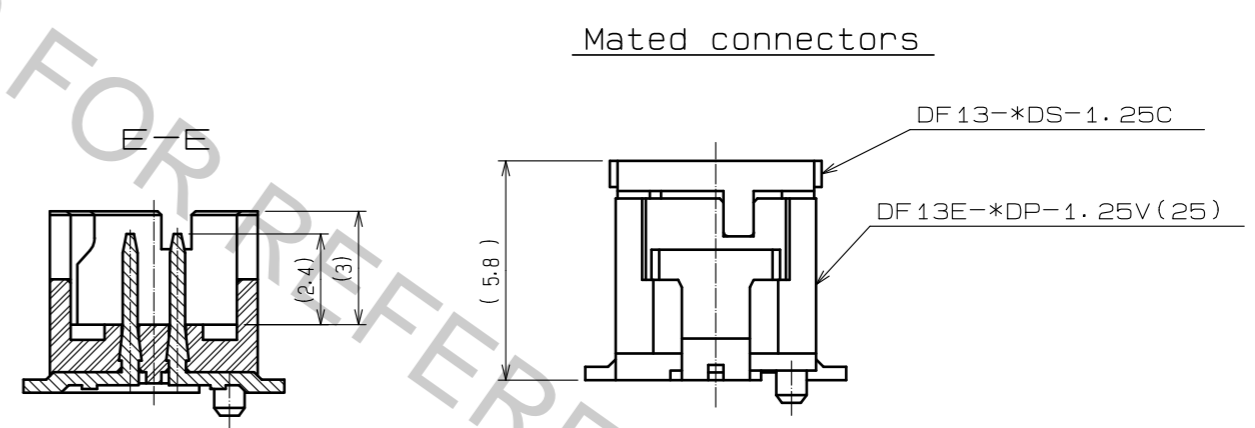
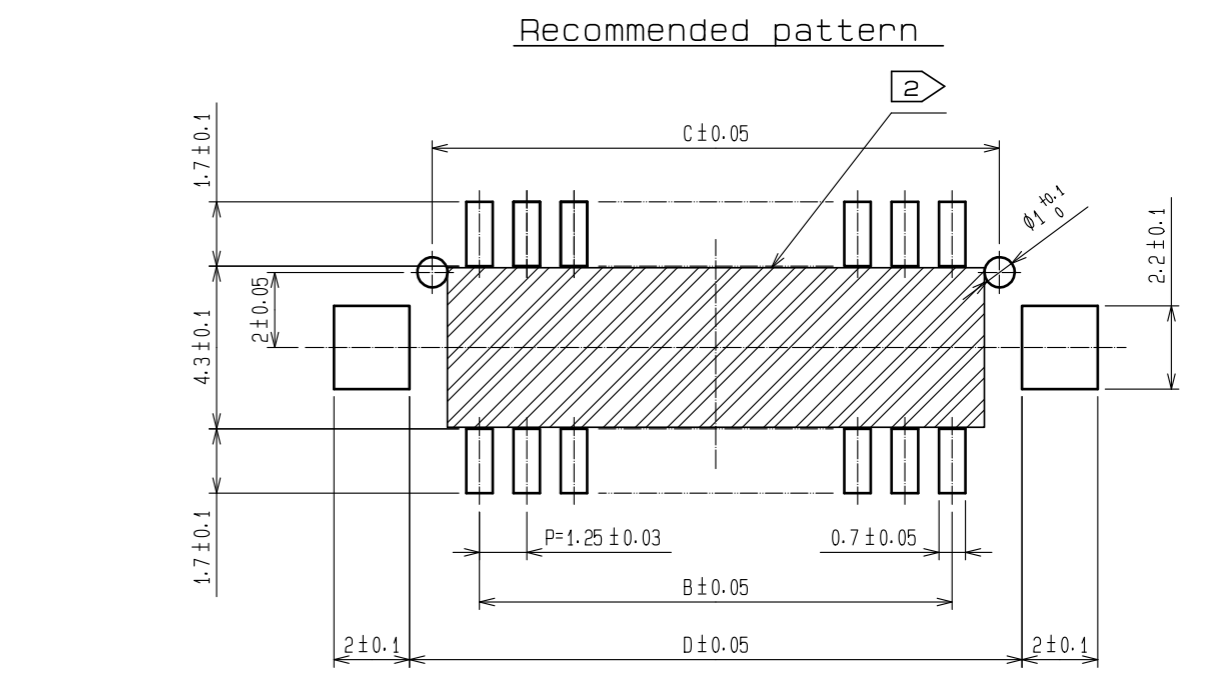
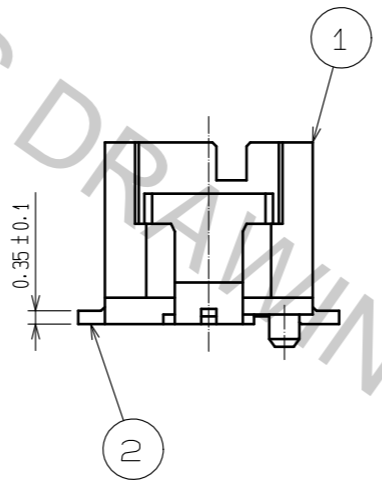


Part No.	Number of contacts	Code No.	A	B	C	D
DF13E-10DP-1.25V(25)	10	CL536-0566-0-25	12.1	5.0	7.5	8.7
DF13E-20DP-1.25V(25)	20	CL536-0567-0-25	18.35	11.25	13.75	14.95
DF13E-30DP-1.25V(25)	30	CL536-0568-0-25	24.60	17.50	20.00	21.20

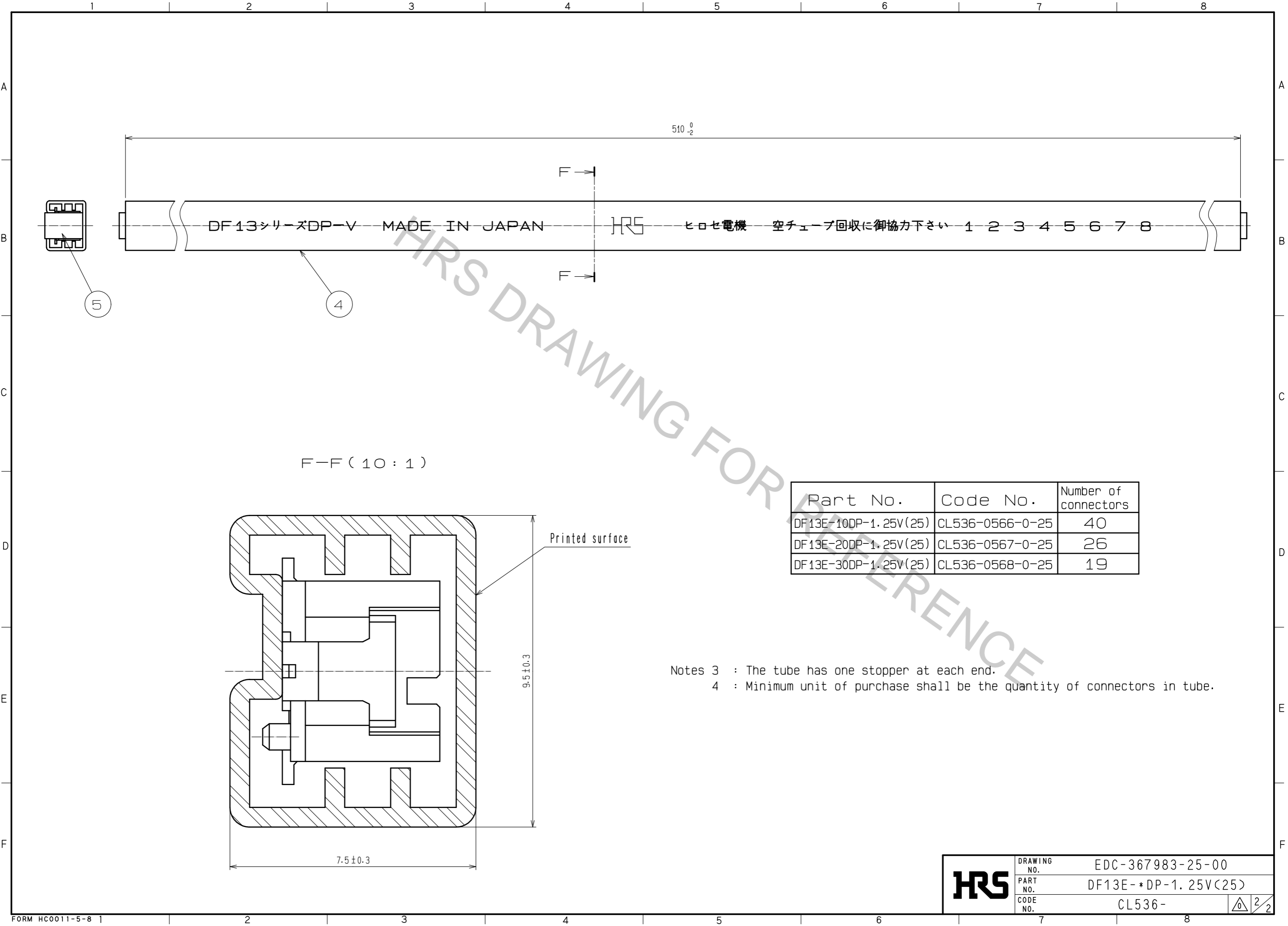


Notes 1 : Lead co-planality include reinforced metal fittings shall be 0.1mm MAX.
 ② : If there are pattern and a bia hole on part, there is a possibility that it will make contact with the leads.

NO.	MATERIAL	FINISH .	REMARKS	NO.	MATERIAL	FINISH .	REMARKS
2	Brass	Lead area: Tin-copper plated 1µm MIN		5	S. PVC		Gray
		Under plating: Nickel 0.5µm MIN		4	R. PVC		Electrostatic protection
1	Polyamide	Beige, UL94V-0		3	Phosphor bronze		Tin plated 1µm MIN

UNITS	SCALE	COUNT	DESCRIPTION OF REVISIONS	DESIGNED	CHECKED	DATE
mm	5 : 1	△				

APPROVED : KI. AKIYAMA	16.04.04	DRAWING NO.	EDC-367983-25-00
CHECKED : TS. FUKUSHIMA	16.04.04	PART NO.	DF13E-*DP-1.25V(25)
DESIGNED : YK. YAMAGUCHI	16.04.04	CODE NO.	CL536-
DRAWN : MI. SAKIMURA	16.04.01		



DF13シリーズDP-V MADE IN JAPAN

510⁰/₋₂

F
F

HRS ヒロセ電機 空チューブ回収に御協力下さい 1 2 3 4 5 6 7 8

5

4

F-F (10:1)

Printed surface

9.5 ± 0.3

7.5 ± 0.3

Part No.	Code No.	Number of connectors
DF13E-10DP-1.25V(25)	CL536-0566-0-25	40
DF13E-20DP-1.25V(25)	CL536-0567-0-25	26
DF13E-30DP-1.25V(25)	CL536-0568-0-25	19

Notes 3 : The tube has one stopper at each end.
 4 : Minimum unit of purchase shall be the quantity of connectors in tube.

HRS	DRAWING NO.	EDC-367983-25-00	
	PART NO.	DF13E-*DP-1.25V(25)	
	CODE NO.	CL536-	2/2