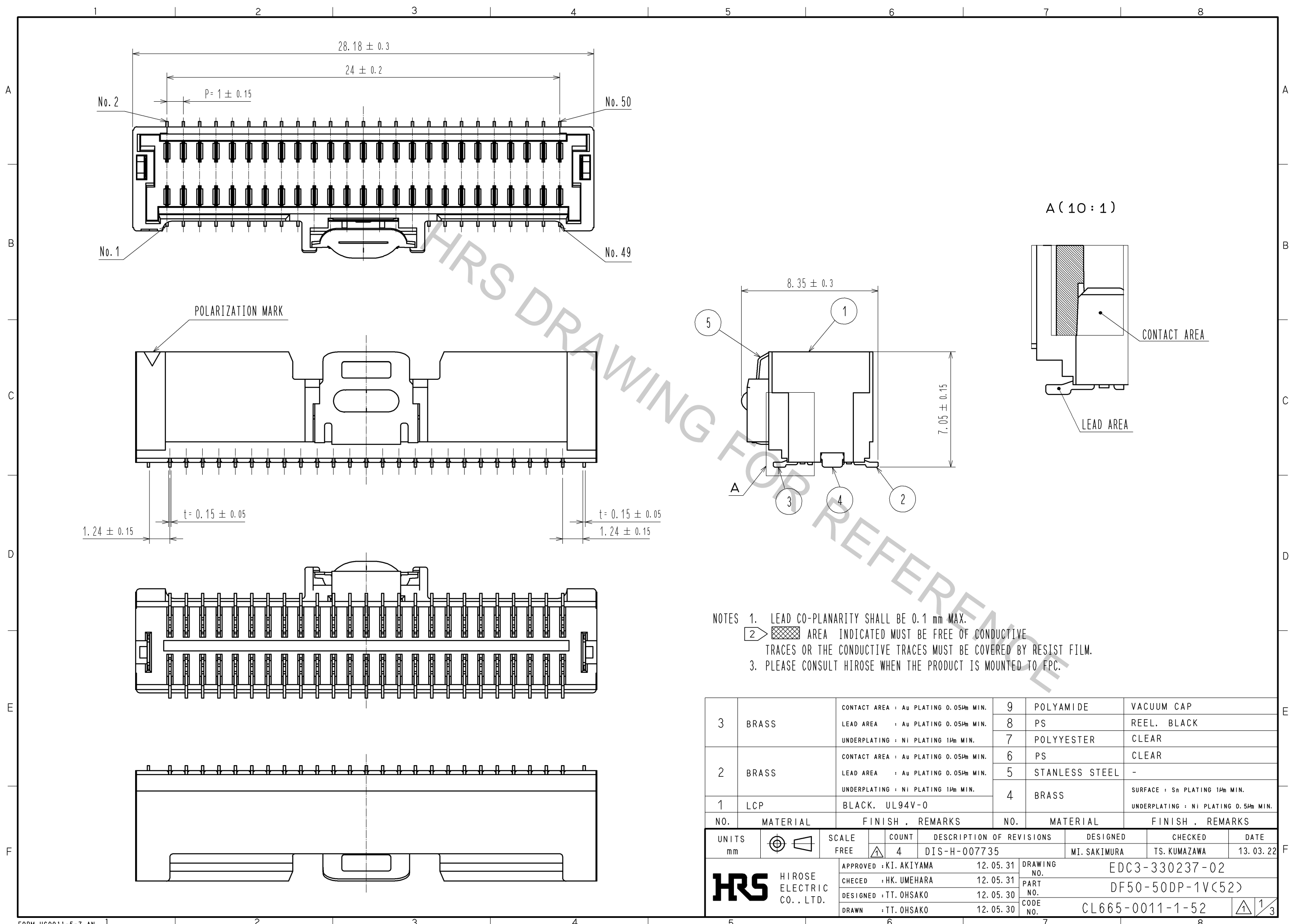


Apr.1.2017 Copyright 2017 HIROSE ELECTRIC CO., LTD. All Rights Reserved.



NOTES  
 1. LEAD CO-PLANARITY SHALL BE 0.1 mm MAX.  
 2. AREA INDICATED MUST BE FREE OF CONDUCTIVE TRACES OR THE CONDUCTIVE TRACES MUST BE COVERED BY RESIST FILM.  
 3. PLEASE CONSULT HIROSE WHEN THE PRODUCT IS MOUNTED TO EPC.

NO.	MATERIAL	FINISH . REMARKS	NO.	MATERIAL	FINISH . REMARKS
3	BRASS	CONTACT AREA : Au PLATING 0.05μm MIN. LEAD AREA : Au PLATING 0.05μm MIN. UNDERPLATING : Ni PLATING 1μm MIN.	9	POLYAMIDE	VACUUM CAP
			8	PS	REEL, BLACK
			7	POLYESTER	CLEAR
2	BRASS	CONTACT AREA : Au PLATING 0.05μm MIN. LEAD AREA : Au PLATING 0.05μm MIN. UNDERPLATING : Ni PLATING 1μm MIN.	6	PS	CLEAR
			5	STAINLESS STEEL	-
1	LCP	BLACK, UL94V-0	4	BRASS	SURFACE : Sn PLATING 1μm MIN. UNDERPLATING : Ni PLATING 0.5μm MIN.

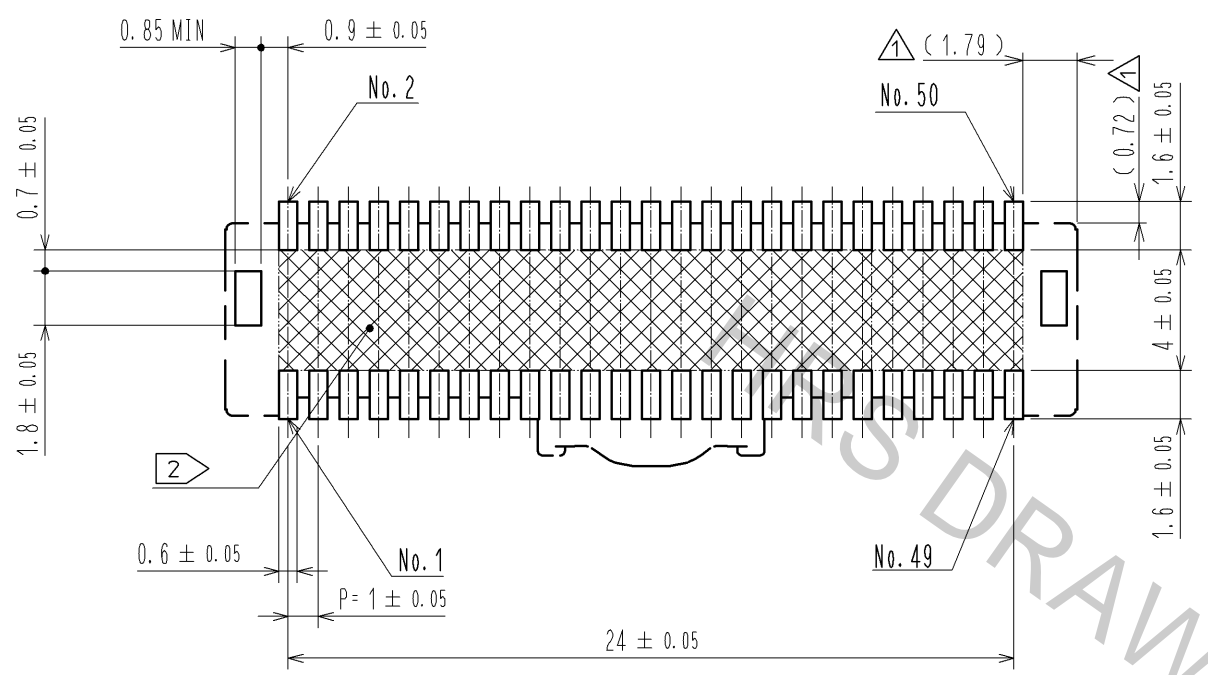
UNITS	SCALE	COUNT	DESCRIPTION OF REVISIONS	DESIGNED	CHECKED	DATE
mm	FREE	4	DIS-H-007735	MI. SAKIMURA	TS. KUMAZAWA	13. 03. 22

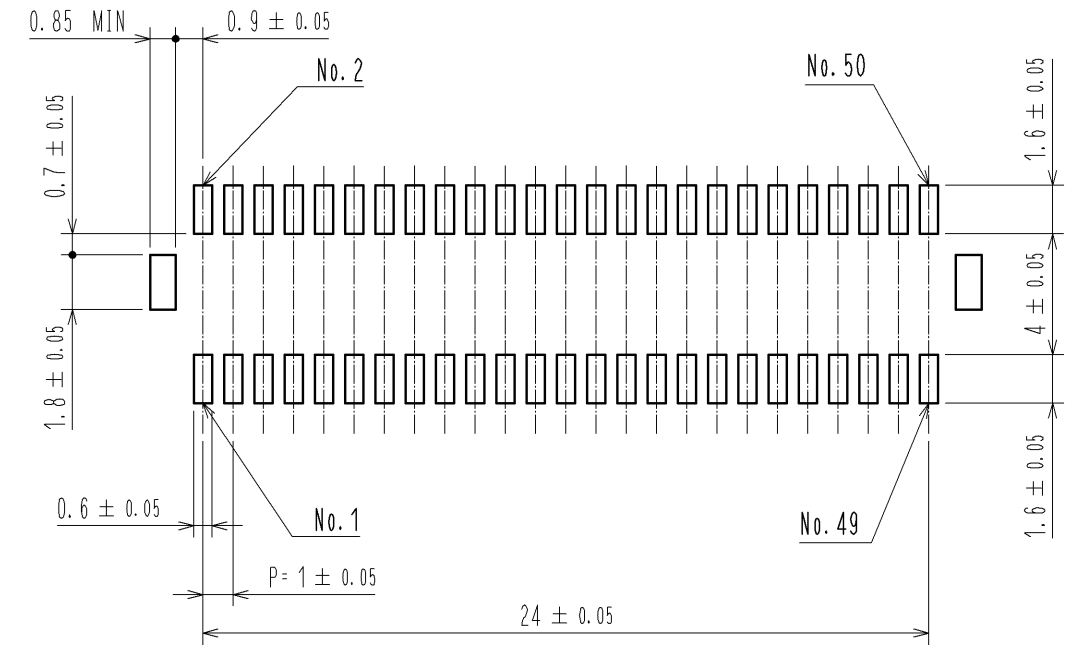
<b>HRS</b> HIROSE ELECTRIC CO., LTD.	APPROVED : KI. AKIYAMA	12. 05. 31	DRAWING NO.	EDC3-330237-02
	CHECED : HK. UMEHARA	12. 05. 31	PART NO.	DF50-50DP-1V(52)
	DESIGNED : TT. OHSAKO	12. 05. 30	CODE NO.	CL665-0011-1-52
	DRAWN : TT. OHSAKO	12. 05. 30		

Apr.1.2017 Copyright 2017 HIROSE ELECTRIC CO., LTD. All Rights Reserved.

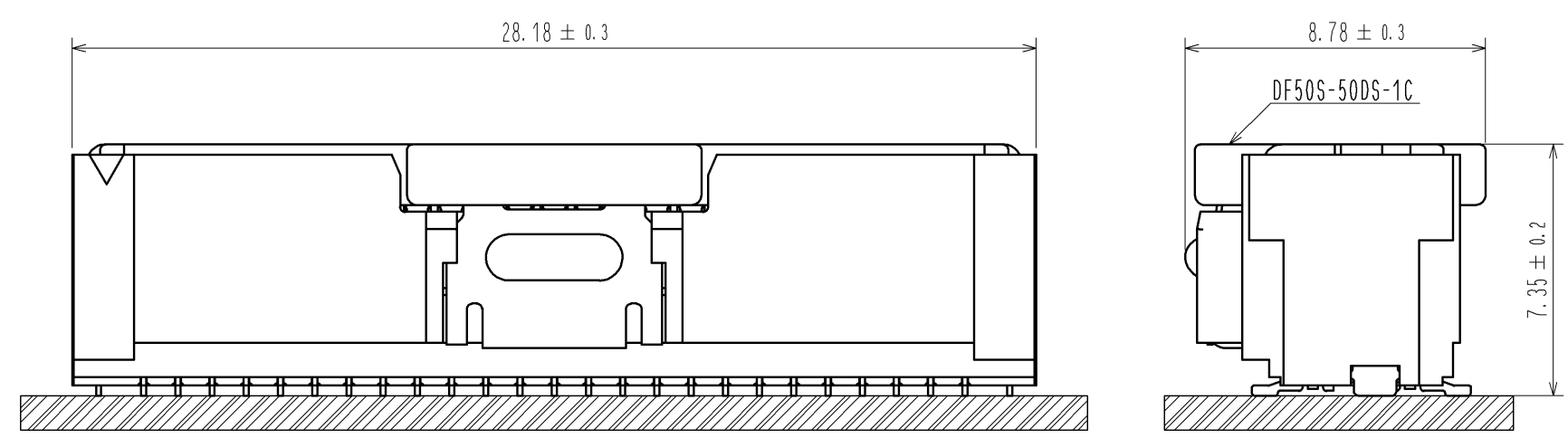
RECOMMENDED PCB LAYOUT  
(MOUNTING SURFACE SIDE) (FREE)



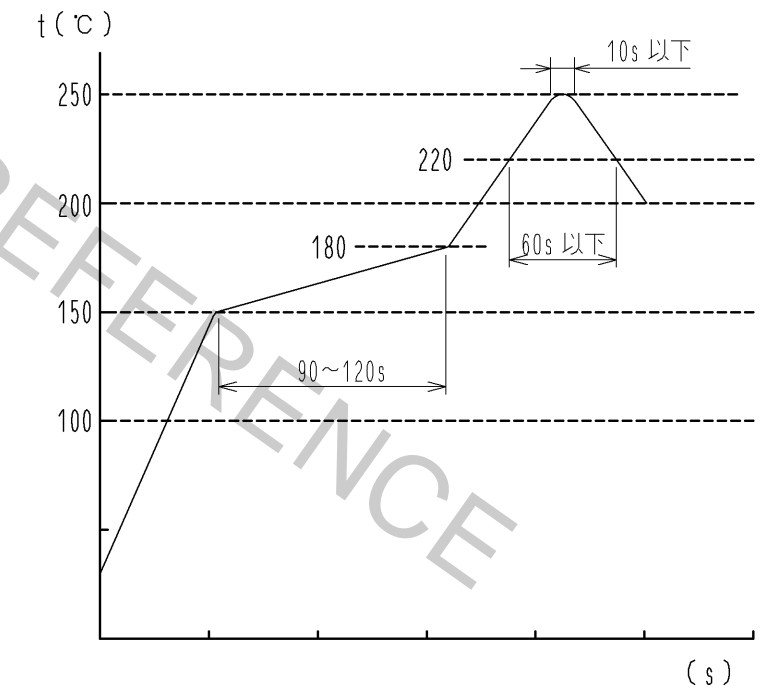
RECOMMENDED METAL MASK (FREE)  
THICKNESS : 0.1mm



MATING FIGURE (5 : 1)



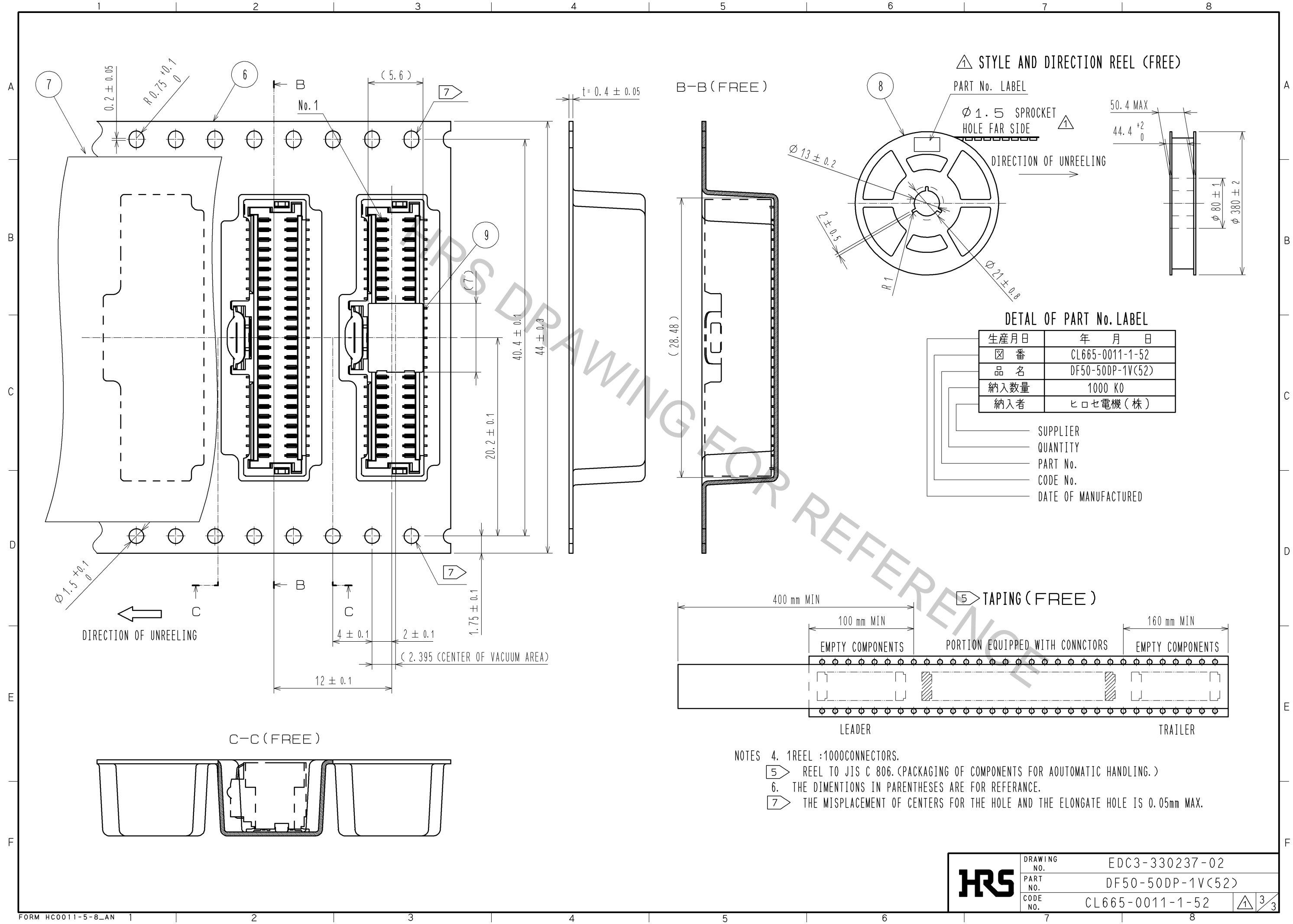
REFLOW TEMPERATURE PROFILE  
USING LEAD-FREE SOLDER PASTE(REFERENCE)



NUMBER OF REFLOW CYCLES : 2 CYCLES MAX.  
THE TEMPERATURE OF THIS PROFILE IS MASURED ON THE LEAD TERMINAL.

WE RECOMMEND PERFORMING AN EVALUATION UNDER THE MOUNTING  
CONDITIONS YOU WILL BE USING BECAUSE IT COULD BE AFFECTED  
BY ANY CONDITION:TYPE OF SOLDER PASTE, SIZE OF PCB, MOUNTING  
METAL etc.

<b>HRS</b>	DRAWING NO.	EDC3-330237-02
	PART NO.	DF50-50DP-1V(52)
	CODE NO.	CL665-0011-1-52
		2/3



- NOTES
- 4. 1 REEL : 1000 CONNECTORS.
  - 5. REEL TO JIS C 806. (PACKAGING OF COMPONENTS FOR AUTOMATIC HANDLING.)
  - 6. THE DIMENTIONS IN PARENTHESSES ARE FOR REFERANCE.
  - 7. THE MISPLACEMENT OF CENTERS FOR THE HOLE AND THE ELONGATE HOLE IS 0.05mm MAX.

<b>HRS</b>	DRAWING NO.	EDC3-330237-02	3/3
	PART NO.	DF50-50DP-1V(52)	
	CODE NO.	CL665-0011-1-52	