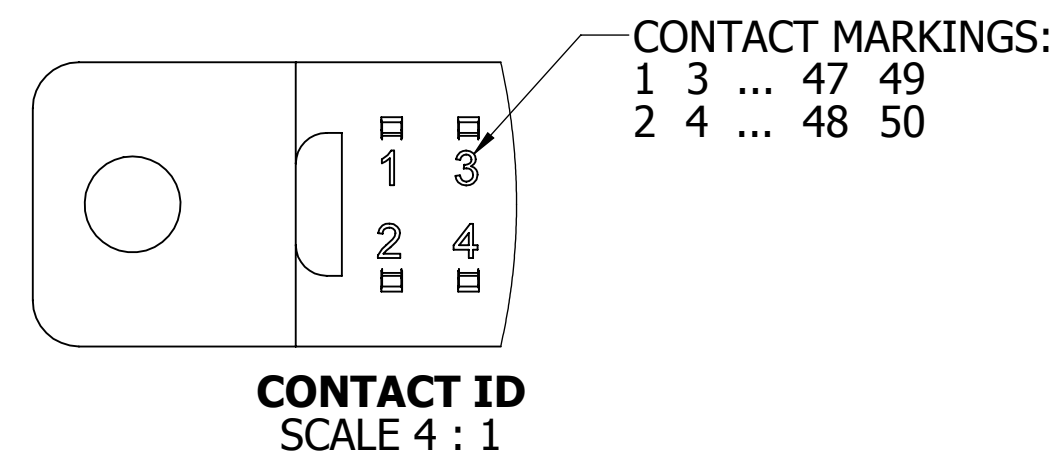
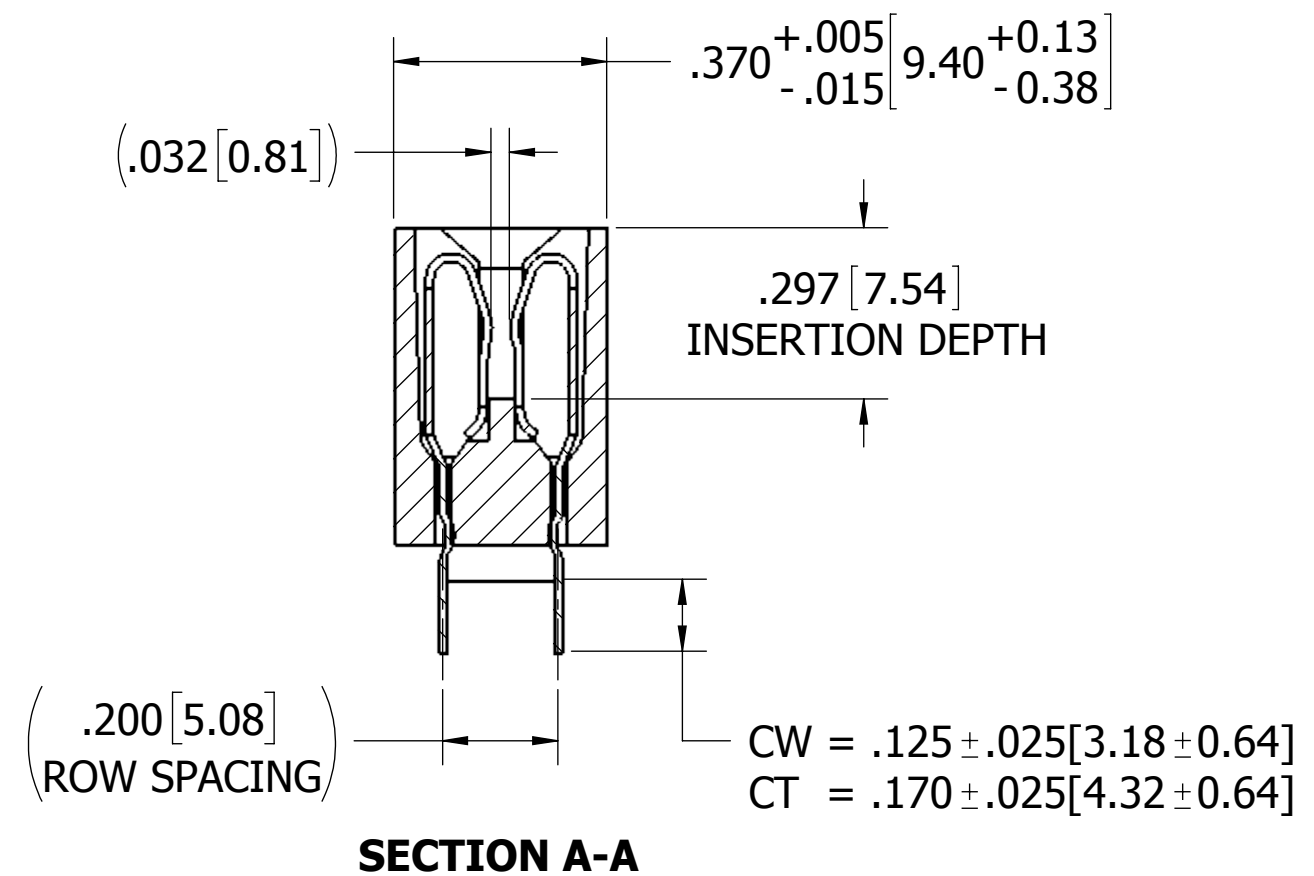


- NOTES:**
1. INSULATOR MATERIAL: SEE PART NUMBER CODING
  2. CONTACT MATERIAL: SEE PART NUMBER CODING
  3. PLATING: SEE PART NUMBER CODING
  4. OPERATING TEMPERATURE: SEE PART NUMBER CODING
  5. PROCESSING TEMP: SEE PART NUMBER CODING
  6. UL FLAMMABILITY RATING: 94V-0
  7. OPERATING VOLTAGE: 700 VAC
  8. CURRENT RATING: 3 AMP PER CONTACT
  9. CONTACT RESISTANCE: 30 MILLI OHMS MAX
  10. INSULATION RESISTANCE: 5000 MEGA OHMS
  11. DURABILITY: 500 CYCLES MIN
  12. CONNECTOR IDENTIFICATION: THE PART SHALL BE MARKED WITH A PART NUMBER AND LOT CODE
  13. BOARD THICKNESS ACCOMMODATED:  $.062 \pm .008 [1.57 \pm 0.20]$
  14. INSERTION FORCE: 16 OZ MAX PER CONTACT PAIR WHEN USING A  $.062 [1.57]$  TEST BLADE  
INTERNAL INSPECTION TO BE PER SULLIN'S WORK INSTRUCTION WI7.3-01
  15. WITHDRAWAL FORCE: 1 OZ MIN PER CONTACT PAIR USING  $.062 [1.57]$  TEST BLADE
  16. MODIFICATION: SEE PART NUMBER CODING

| REVISIONS |         |  |            |      |
|-----------|---------|--|------------|------|
| REV.      | ECO. NO | DESCRIPTION  | DATE       | BY   |
| B         | 2708    | ADD S38, S81, S328 OPTIONS, UPDATE CONTACT GAP DIM TO .032 (WAS .030), 'WAVE ONLY' FOR 'E' MTL, PROCESSING TIME 20 SEC FOR 'G' MTL, REMOVE 'Y' PLATING | 11/27/2012 | JH   |
| C         | 3199    | ADD 'V' MOUNTING STYLE, ADD 'A' MATERIAL AND 'N' PLATING OPTIONS, UPDATE DRAWING FORMAT  | 4/9/2015   | JHSU |
| D         | 3657    | ADD 'B' MOUNTING   | 4/11/2017  | EP   |



**CUSTOMER COPY**



|  |  |  |              |          |   |  |
|--|--|--|--------------|----------|---|--|
| UNLESS OTHERWISE SPECIFIED: DIMENSIONS ARE IN INCHES [MM]                                    |  | DRAWN  | DATE         | NAME     |   |  |
| TOLERANCES:  |  |  | 11/27/12     | JH       |   |  |
| ANGULAR: $\pm 1^\circ$   |  | THE INFORMATION HEREIN CONTAINS PROPRIETARY INFORMATION OF SULLINS ELECTRONICS AND IS NOT TO BE REPRODUCED, USED OR DISCLOSED TO OTHERS FOR ANY PURPOSE EXCEPT AS SPECIFICALLY AUTHORIZED IN WRITING BY AN OFFICER OF SULLINS ELECTRONICS. |              |          | TITLE<br>EDGECARD CONNECTOR .100 CC HP              |  |
| DECIMALS<br>.XX = $\pm .02 [0.5]$<br>.XXX = $\pm .005 [0.13]$<br>.XXXX = $\pm .0005 [0.013]$ |  |  |              |          | PART NUMBER<br>_ _ C _ _ D (CW,CT) _ (S38,S81,S328) |  |
|  |  | SIZE   | CAGE CODE    | DWG. NO. | REV   |  |
|  |  | C  | 54453        | C11424   | D   |  |
|  |  | SCALE: 3:1   | SHEET 1 OF 3 |          |   |  |

8

7

6

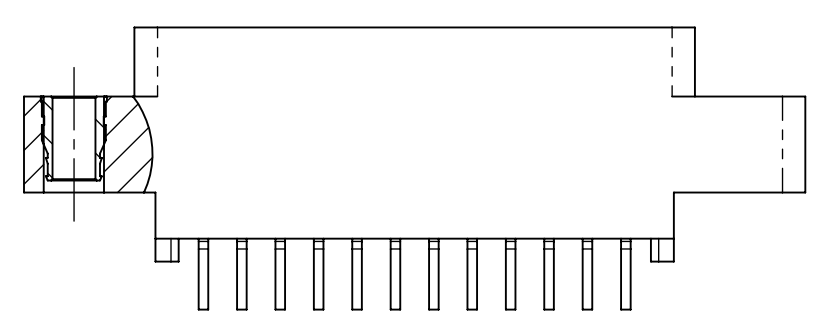
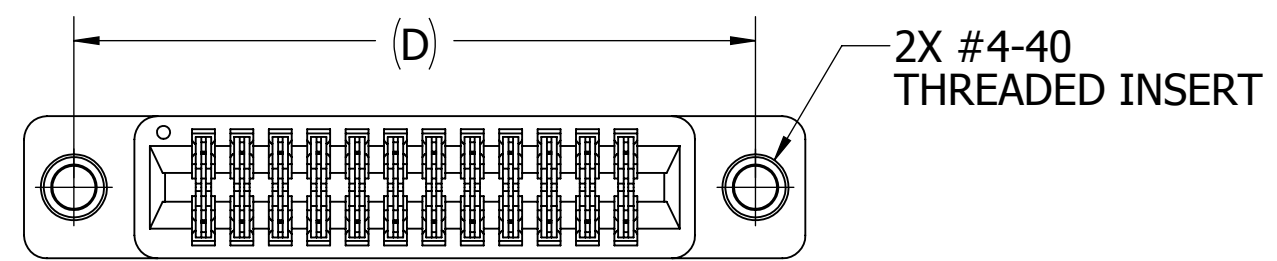
5

4

3

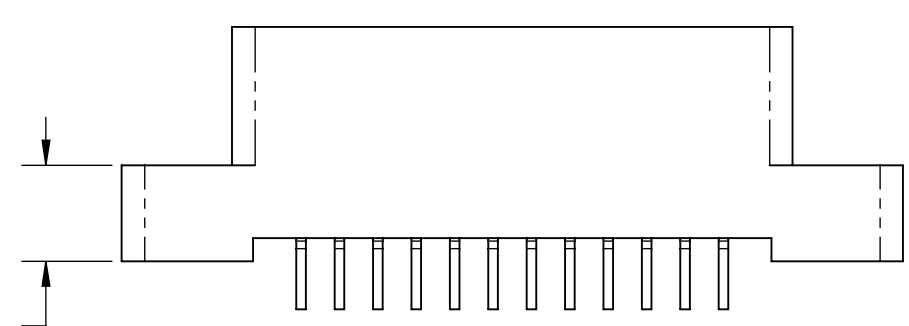
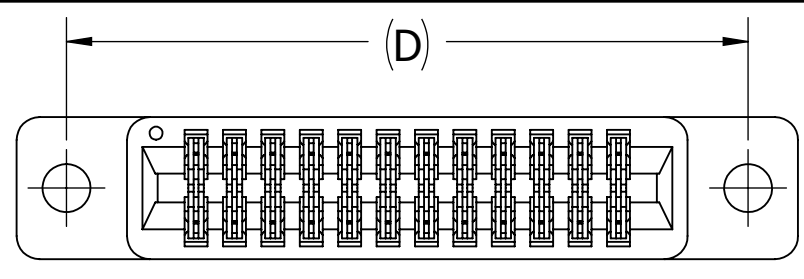
2

1

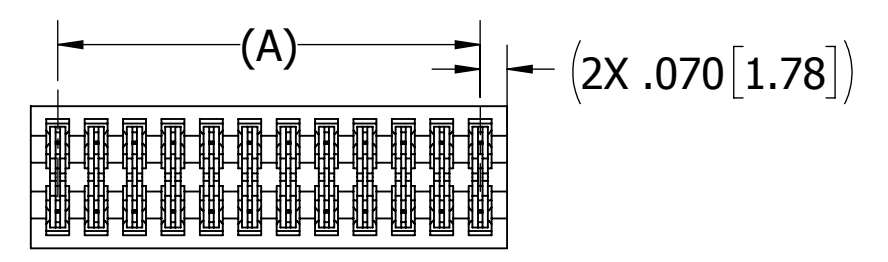


--- C --- DCWI-(S38, S81, S328)  
 --- C --- DCTI-(S38, S81, S328)

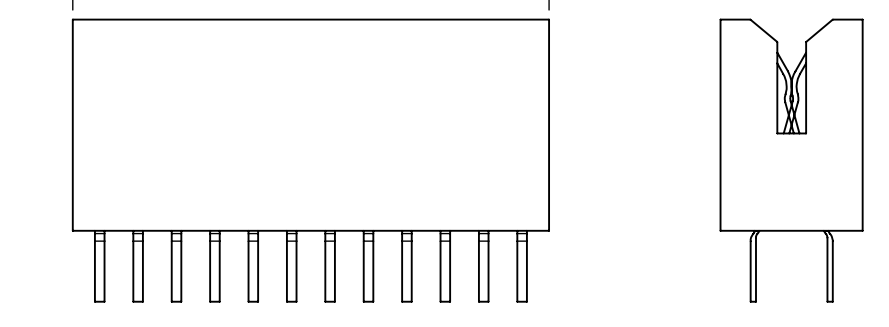
D = .250 [6.35]  
 W = .430 [10.92]



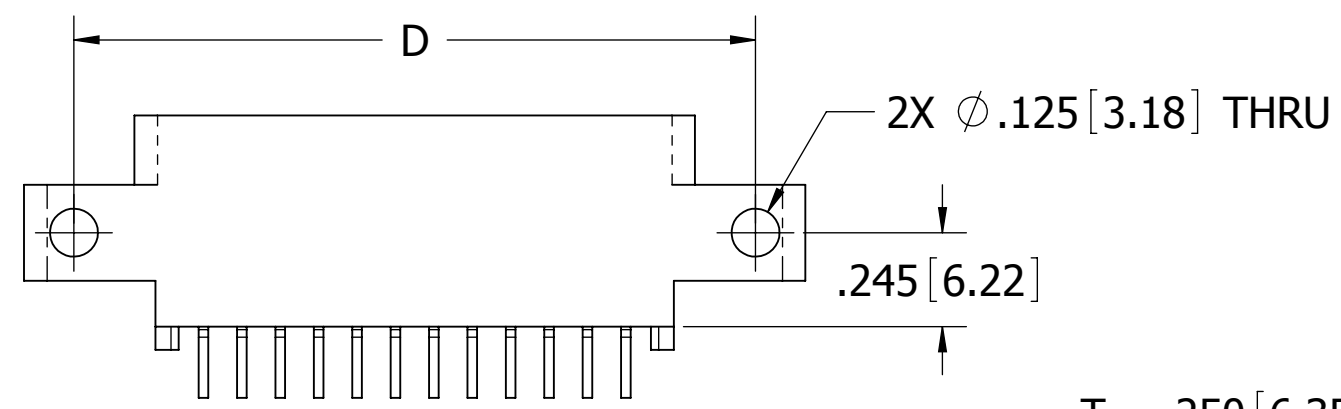
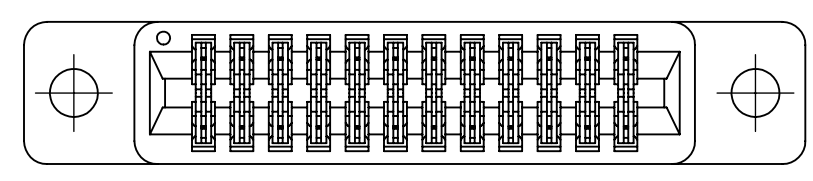
--- C --- DCWD-(S38, S81, S328)  
 --- C --- DCWW-(S38, S81, S328)  
 --- C --- DCTD-(S38, S81, S328)  
 --- C --- DCTW-(S38, S81, S328)



$L \pm .015 [ .38 ]$   
 $L = \text{DIM A} + .140 [ 3.56 ]$

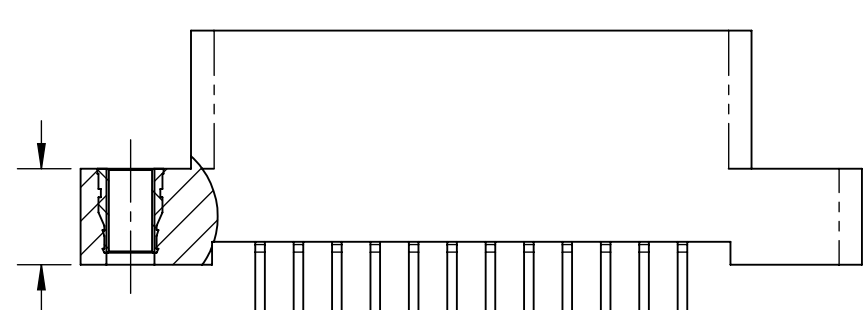
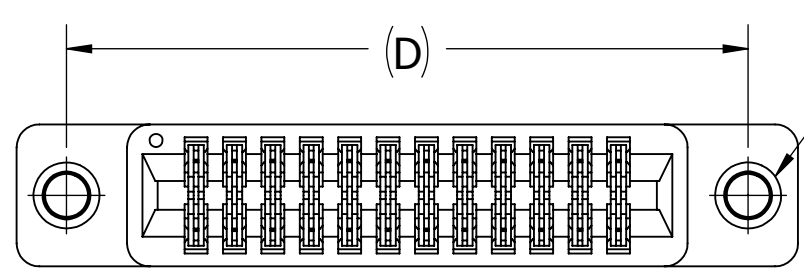


--- C --- DCWB-(S38, S81, S328)  
 --- C --- DCTB-(S38, S81, S328)

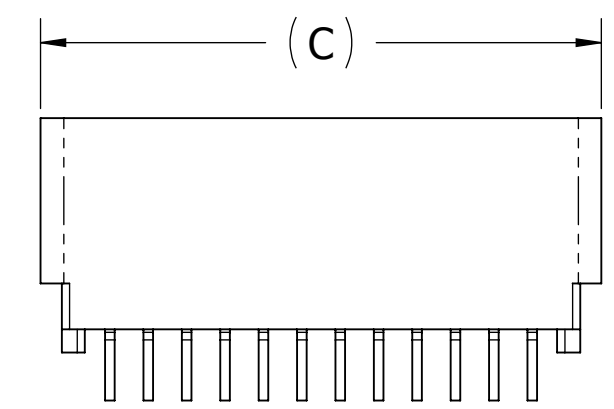
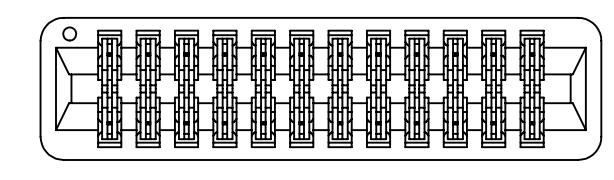


--- C --- DCWS-(S38, S81, S328)  
 --- C --- DCTS-(S38, S81, S328)

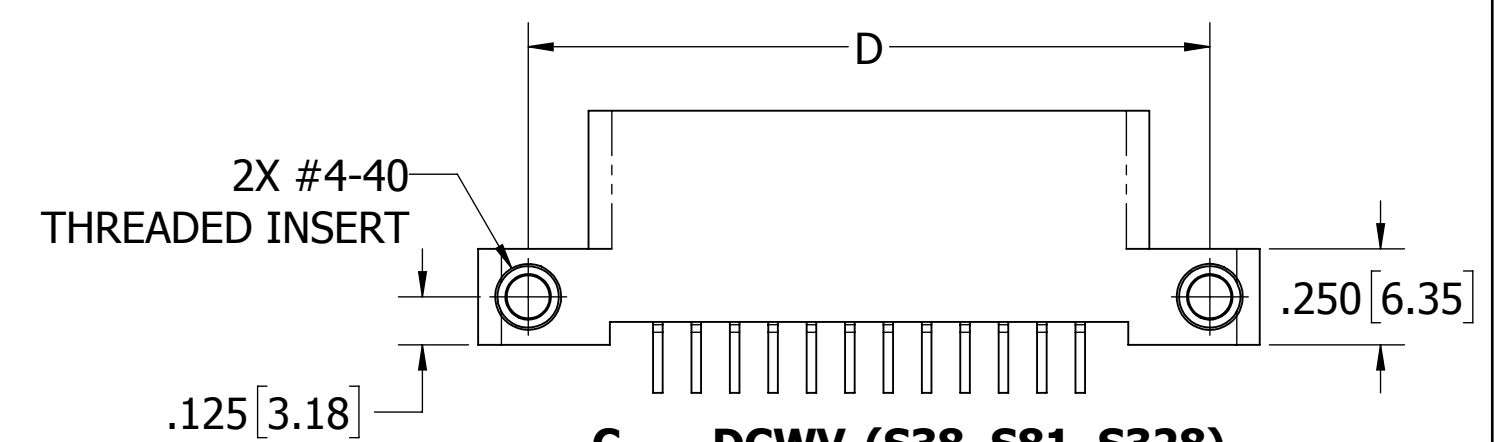
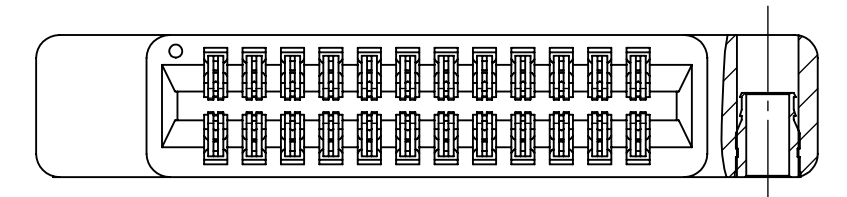
T = .250 [6.35]  
 X = .430 [10.92]



--- C --- DCWT-(S38, S81, S328)  
 --- C --- DCWX-(S38, S81, S328)  
 --- C --- DCTT-(S38, S81, S328)  
 --- C --- DCTX-(S38, S81, S328)

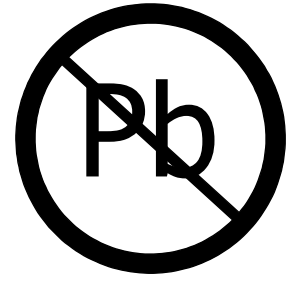


--- C --- DCWN-(S38, S81, S328)  
 --- C --- DCTN-(S38, S81, S328)



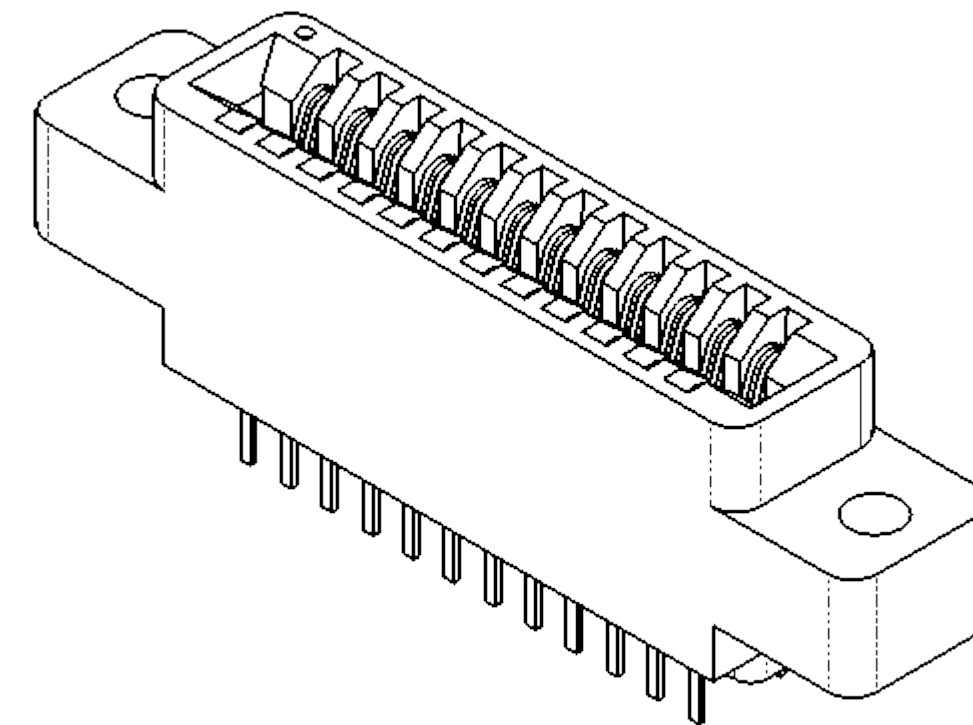
--- C --- DCWV-(S38, S81, S328)  
 --- C --- DCTV-(S38, S81, S328)

**CUSTOMER COPY**



|   |  |   |           |              |     |
|---|--|---|-----------|--------------|-----|
| UNLESS OTHERWISE SPECIFIED:<br>DIMENSIONS ARE IN INCHES [MM]                                    |  | DRAWN   | DATE      | NAME         |     |
|   |  |   | 11/27/12  | JH           |     |
| TOLERANCES:   |  | <small>THE INFORMATION HEREIN CONTAINS PROPRIETARY INFORMATION OF SULLINS ELECTRONICS AND IS NOT TO BE REPRODUCED, USED OR DISCLOSED TO OTHERS FOR ANY PURPOSE EXCEPT AS SPECIFICALLY AUTHORIZED IN WRITING BY AN OFFICER OF SULLINS ELECTRONICS.</small> |           |              |     |
| ANGULAR: $\pm 1^\circ$  |  | TITLE<br>EDGECARD CONNECTOR .100 CC HP  |           |              |     |
| DECIMALS<br>.XX = $\pm .02 [ .5 ]$<br>.XXX = $\pm .005 [ .13 ]$<br>.XXXX = $\pm .0005 [ .013 ]$ |  | PART NUMBER<br>--- C --- D(CW,CT)_(S38,S81,S328)  |           |              |     |
|   |  | SIZE  | CAGE CODE | DWG. NO.     | REV |
|   |  | C   | 54453     | C11424       | D   |
|   |  | SCALE: 2:1  |           | SHEET 2 OF 3 |     |

| PART NUMBER   | NO. OF POS. | A±.008[0.20] |        | B±.008[0.20] |        | C±.015[0.38] |        | D±.010[0.25] |        | E±.020[0.51] |        | F±.015[0.38] |        |
|---------------|-------------|--------------|--------|--------------|--------|--------------|--------|--------------|--------|--------------|--------|--------------|--------|
|               |             | INCH         | MM     | INCH         | MM     | INCH         | MM     | INCH         | MM     | INCH         | MM     | INCH         | MM     |
| __C05D__-S__  | 5           | 0.400        | 10.16  | 0.600        | 15.24  | 0.760        | 19.30  | 1.075        | 27.31  | 1.335        | 33.91  | 0.650        | 16.51  |
| __C06D__-S__  | 6           | 0.500        | 12.70  | 0.700        | 17.78  | 0.860        | 21.84  | 1.175        | 29.85  | 1.435        | 36.45  | 0.750        | 19.05  |
| __C07D__-S__  | 7           | 0.600        | 15.24  | 0.800        | 20.32  | 0.960        | 24.38  | 1.275        | 32.39  | 1.535        | 38.99  | 0.850        | 21.59  |
| __C08D__-S__  | 8           | 0.700        | 17.78  | 0.900        | 22.86  | 1.060        | 26.92  | 1.375        | 34.93  | 1.635        | 41.53  | 0.950        | 24.13  |
| __C10D__-S__  | 10          | 0.900        | 22.86  | 1.100        | 27.94  | 1.260        | 32.00  | 1.575        | 40.01  | 1.835        | 46.61  | 1.150        | 29.21  |
| __C12D__-S__  | 12          | 1.100        | 27.94  | 1.300        | 33.02  | 1.460        | 37.08  | 1.775        | 45.09  | 2.035        | 51.69  | 1.350        | 34.29  |
| __C13D__-S__  | 13          | 1.200        | 30.48  | 1.400        | 35.56  | 1.560        | 39.62  | 1.875        | 47.63  | 2.135        | 54.23  | 1.450        | 36.83  |
| __C15D__-S__  | 15          | 1.400        | 35.56  | 1.600        | 40.64  | 1.760        | 44.70  | 2.075        | 52.71  | 2.335        | 59.31  | 1.650        | 41.91  |
| __C17D__-S__  | 17          | 1.600        | 40.64  | 1.800        | 45.72  | 1.960        | 49.78  | 2.275        | 57.79  | 2.535        | 64.39  | 1.850        | 46.99  |
| __C18D__-S__  | 18          | 1.700        | 43.18  | 1.900        | 48.26  | 2.060        | 52.32  | 2.375        | 60.33  | 2.635        | 66.93  | 1.950        | 49.53  |
| __C20D__-S__  | 20          | 1.900        | 48.26  | 2.100        | 53.34  | 2.260        | 57.40  | 2.575        | 65.41  | 2.835        | 72.01  | 2.150        | 54.61  |
| __C22D__-S__  | 22          | 2.100        | 53.34  | 2.300        | 58.42  | 2.460        | 62.48  | 2.775        | 70.49  | 3.035        | 77.09  | 2.350        | 59.69  |
| __C24D__-S__  | 24          | 2.300        | 58.42  | 2.500        | 63.50  | 2.660        | 67.56  | 2.975        | 75.57  | 3.235        | 82.17  | 2.550        | 64.77  |
| __C25D__-S__  | 25          | 2.400        | 60.96  | 2.600        | 66.04  | 2.760        | 70.10  | 3.075        | 78.11  | 3.335        | 84.71  | 2.650        | 67.31  |
| __C28D__-S__  | 28          | 2.700        | 68.58  | 2.900        | 73.66  | 3.060        | 77.72  | 3.375        | 85.73  | 3.635        | 92.33  | 2.950        | 74.93  |
| __C30D__-S__  | 30          | 2.900        | 73.66  | 3.100        | 78.74  | 3.260        | 82.80  | 3.575        | 90.81  | 3.835        | 97.41  | 3.150        | 80.01  |
| __C31D__-S__  | 31          | 3.000        | 76.20  | 3.200        | 81.28  | 3.360        | 85.34  | 3.675        | 93.35  | 3.935        | 99.95  | 3.250        | 82.55  |
| __C35D__-S__  | 35          | 3.400        | 86.36  | 3.600        | 91.44  | 3.760        | 95.50  | 4.075        | 103.51 | 4.335        | 110.11 | 3.650        | 92.71  |
| __C36D__-S__  | 36          | 3.500        | 88.90  | 3.700        | 93.98  | 3.860        | 98.04  | 4.175        | 106.05 | 4.435        | 112.65 | 3.750        | 95.25  |
| __C40D__-S__  | 40          | 3.900        | 99.06  | 4.100        | 104.14 | 4.260        | 108.20 | 4.575        | 116.21 | 4.835        | 122.81 | 4.150        | 105.41 |
| __C43D__-S__  | 43          | 4.200        | 106.68 | 4.400        | 111.76 | 4.560        | 115.82 | 4.875        | 123.83 | 5.135        | 130.43 | 4.450        | 113.03 |
| __C44D__-S__  | 44          | 4.300        | 109.22 | 4.500        | 114.30 | 4.660        | 118.36 | 4.975        | 126.37 | 5.235        | 132.97 | 4.550        | 115.57 |
| __C49D__-S__  | 49          | 4.800        | 121.92 | 5.000        | 127.00 | 5.160        | 131.06 | 5.475        | 139.07 | 5.735        | 145.67 | 5.050        | 128.27 |
| __C50D__-S__  | 50          | 4.900        | 124.46 | 5.100        | 129.54 | 5.260        | 133.60 | 5.575        | 141.61 | 5.835        | 148.21 | 5.150        | 130.81 |
| __C55D__-S__  | 55          | 5.400        | 137.16 | 5.600        | 142.24 | 5.760        | 146.30 | 6.075        | 154.31 | 6.335        | 160.91 | 5.650        | 143.51 |
| __C60D__-S__  | 60          | 5.900        | 149.86 | 6.100        | 154.94 | 6.260        | 159.00 | 6.575        | 167.01 | 6.835        | 173.61 | 6.150        | 156.21 |
| __C61D__-S__  | 61          | 6.000        | 152.40 | 6.200        | 157.48 | 6.360        | 161.54 | 6.675        | 169.55 | 6.935        | 176.15 | 6.250        | 158.75 |
| __C65D__-S__  | 65          | 6.400        | 162.56 | 6.600        | 167.64 | 6.760        | 171.70 | 7.075        | 179.71 | 7.335        | 186.31 | 6.650        | 168.91 |
| __C70D__-S__  | 70          | 6.900        | 175.26 | 7.100        | 180.34 | 7.260        | 184.40 | 7.575        | 192.41 | 7.835        | 199.01 | 7.150        | 181.61 |
| __C80D__-S__  | 80          | 7.900        | 200.66 | 8.100        | 205.74 | 8.260        | 209.80 | 8.575        | 217.81 | 8.835        | 224.41 | 8.150        | 207.01 |
| __C90D__-S__  | 90          | 8.900        | 226.06 | 9.100        | 231.14 | 9.260        | 235.20 | 9.575        | 243.21 | 9.835        | 249.81 | 9.150        | 232.41 |
| __C100D__-S__ | 100         | 9.900        | 251.46 | 10.100       | 256.54 | 10.260       | 260.60 | 10.575       | 268.61 | 10.835       | 275.21 | 10.150       | 257.81 |



### PART NUMBER CODING

**MATERIAL (INSULATOR/CONTACT)**

**E = BLUE PBT/PHOSPHOR BRONZE**  
 OPERATING TEMP: -65°C TO +125°C  
 PROCESSING TEMP: WAVE/MANUAL SOLDERING ONLY

**R = GREEN PPS/PHOSPHOR BRONZE**  
 OPERATING TEMP: -65°C TO +125°C  
 PROCESSING TEMP: 260°C MAX FOR 20 SECONDS

**G = BLACK PA9T/PHOSPHOR BRONZE**  
 OPERATING TEMP: -65°C TO +125°C  
 PROCESSING TEMP: 260°C MAX FOR 20 SECONDS

**A = GREEN PPS/BERYLLIUM COPPER (CONSULT FACTORY)**  
 OPERATING TEMP: -65°C TO +150°C  
 PROCESSING TEMP: 260°C MAX FOR 20 SECONDS  
 (CONSULT FACTORY FOR OTHER MATERIALS)

**PLATING**  
**ALL PLATINGS HAVE .000050" NICKEL UNDERPLATE**

|                    |                          |
|--------------------|--------------------------|
| CONTACT SURFACE    | TERMINATION              |
| B = .000010" GOLD  | .000100" PURE TIN, MATTE |
| C = .000030" GOLD  | .000100" PURE TIN, MATTE |
| *N = .000050" GOLD | .000100" PURE TIN, MATTE |

\*AVAILABLE WITH 'A' MATERIAL CODE ONLY

**MODIFICATION CODE**  
 OMIT FOR STANDARD, EX: 'EBC22DCWH'  
 S38 = BLACK PBT (MATERIAL CODE 'E' ONLY)  
 S81 = GREEN PBT (MATERIAL CODE 'E' ONLY)  
 S328 = BROWN PPS (MATERIAL CODE 'A' AND 'R' ONLY)

**MOUNTING STYLE**  
 H = .125 DIA. CLEARANCE HOLES  
 I = #4-40 THREADED INSERT  
 S = .125 DIA. SIDE MOUNTING  
 N = NO MOUNTING EARS  
 D = .250" EARS, FLUSH MOUNTING  
 T = .250" EARS, FLUSH MOUNTING WITH THREADED INSERT  
 V = .250" EARS, FLUSH MOUNTING WITH THREADED INSERT IN SIDE HOLES  
 W = .430" EARS, FLUSH MOUNTING  
 X = .430" EARS, FLUSH MOUNTING WITH THREADED INSERT  
 B = OPEN CARD SLOT

**TERMINATION TYPE (LENGTH)**  
 CW = .125" (SEE SECTION A-A FOR DETAILS)  
 CT = .170" (SEE SECTION A-A FOR DETAILS)

**NUMBER OF POSITIONS**  
 (CONTACTS PER ROW)



## CUSTOMER COPY

|   |           |              |          |      |   |
|---|-----------|--------------|----------|------|---|
| UNLESS OTHERWISE SPECIFIED:<br>DIMENSIONS ARE IN INCHES [MM]  |           | DRAWN        | DATE     | NAME |   |
|   |           |              | 11/27/12 | JH   |   |
| TOLERANCES:<br>ANGULAR: ± 1°<br>DECIMALS<br>.XX=± .02 [.5]<br>.XXX=± .005 [.13]<br>.XXXX=± .0005 [.013] |           |              |          |      | THE INFORMATION HEREIN CONTAINS<br>PROPRIETARY INFORMATION OF<br>SULLINS ELECTRONICS AND IS NOT<br>TO BE REPRODUCED, USED OR<br>DISCLOSED TO OTHERS FOR ANY<br>PURPOSE EXCEPT AS SPECIFICALLY<br>AUTHORIZED IN WRITING BY AN<br>OFFICER OF SULLINS ELECTRONICS. |
| TITLE<br><b>EDGE CARD CONNECTOR .100 CC HP</b>  |           |              |          |      |   |
| PART NUMBER<br><b>__C__D(CW,CT)_(S38,S81,S328)</b>  |           |              |          |      |   |
| SIZE  | CAGE CODE | DWG. NO.     | REV      |      |   |
| C   | 54453     | C11424       | D        |      |   |
| SCALE: 3:1  |           | SHEET 3 OF 3 |          |      |   |