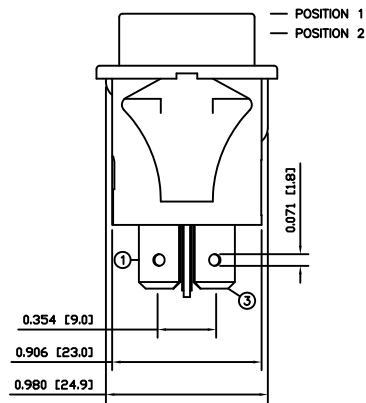
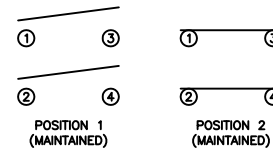


FREE POSITION: 0.394±0.020 [10.0±0.5]  
 OPERATION POINT: 0.276±0.020 [7.0±0.5]  
 LOCK POSITION: 0.236±0.020 [6.0±0.5]  
 MAXIMUM TRAVEL: 0.150±0.020 [3.8±0.5]



**SCHEMATIC**



**SPECIFICATIONS**

**FUNCTION:**  
 2P1T OFF-ON

**RATINGS:**  
 ANSI/UL 1054 and CAN/CSA C22.2 No.55 (E194579):  
 16A 125VAC [UR, cUR]  
 1/2HP 125VAC [UR, cUR]  
 3/4HP 250VAC [UR, cUR]

EN 61058-1:2002:  
 16(6)A 250V~ 1E4 T125/55 [ENEC14, SEMKO]  
 10(4)A 250V~ 5E4 T125/55 [ENEC14, SEMKO]

**CONTACT RESISTANCE:**  
 Initial: 35mΩ Max. at 50VAC

**INSULATION RESISTANCE:**  
 100MΩ Min. at 500VDC

**DIELECTRIC STRENGTH:**  
 1,500VAC For 1 Minute

**ELECTRICAL LIFE:**  
 6,000 Cycles [UR, cUR]  
 10,000 Cycles [VDE]  
 50,000 Cycles [VDE]

**TEMPERATURE:**  
 Operating: -20°C to 105°C [UR, cUR]  
 Operating: -20°C to 125°C [VDE]

**APPROVALS:**



**COLORS AND MARKINGS**

**BODY:**  
 Black

**ACTUATOR:**  
 Red  
 Glossy Finish

**MARKINGS:**  
 Power Symbol (1)

**MARKING COLOR:**  
 Black

**MATERIALS**

**BODY:**  
 Polyamide 6/6 (PA66), UL94 V-2

**ACTUATOR:**  
 Polyamide 6/6 (PA66), UL94 V-2

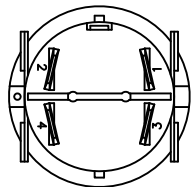
**CONTACT CARRIER:**  
 Polyamide 6/6 (PA66), UL94 V-2

**SPRINGS:**  
 Steel

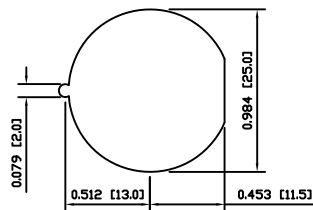
**MOBILE CONTACT:**  
 Silver Plated Copper

**CONTACTS:**  
 Silver Plated Copper

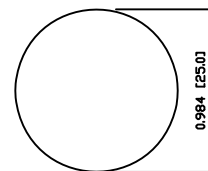
**TERMINALS:**  
 Silver Plated Copper



**SUGGESTED PANEL CUTOUT**



**ALTERNATE PANEL CUTOUT**



BODY	A	09/08/07	CAB
COLORS	A	09/10/12	CAB
MATERIALS	A	09/08/07	CAB
SPECIFICATIONS	A	09/08/07	CAB
REFERENCE	REV.	DATE	BY

THE INFORMATION CONTAINED IN THIS DOCUMENT IS PROPRIETARY TO E-SWITCH AND IS NOT TO BE COPIED OR TRANSFERRED

A	INITIAL RELEASE	PCRD0145	09/10/12	CAB
REV.	DESCRIPTION	PCR	DATE	DRAWN BY

DIMENSIONS	
INCHES [MILLIMETERS]	
GENERAL TOLERANCES	
±0.008 [±0.2] / ±1°	
SCALE	PROJECTION
DRAWING NOT TO SCALE	1:1

PR142C1911			
SCALE	DRAWING NUMBER	DATE	REVISION
DRAWING NOT TO SCALE	38-PR142C1911	OCTOBER 12, 2009	A