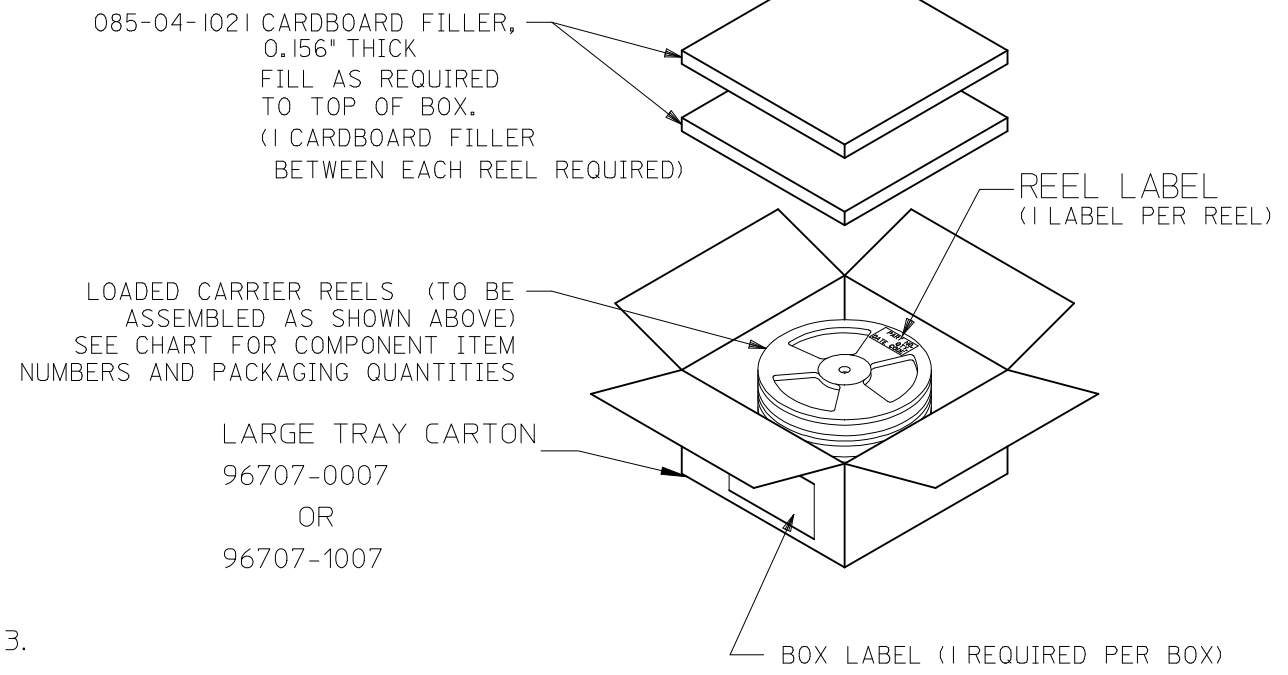
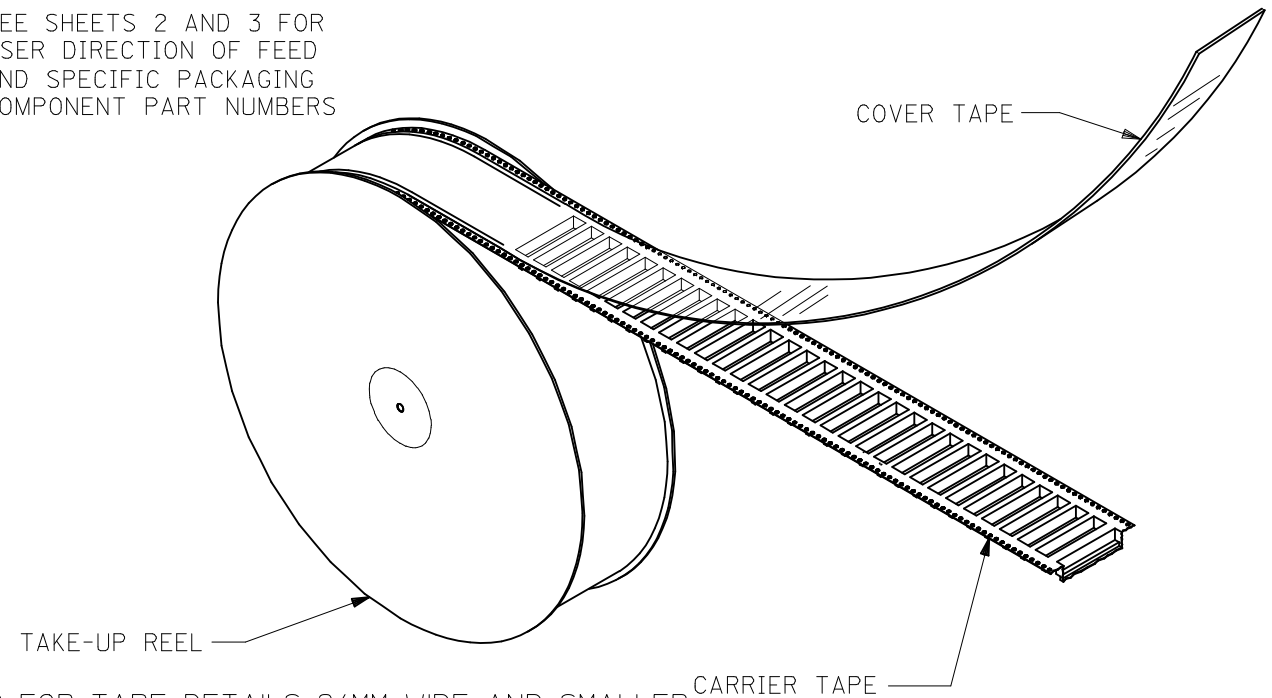
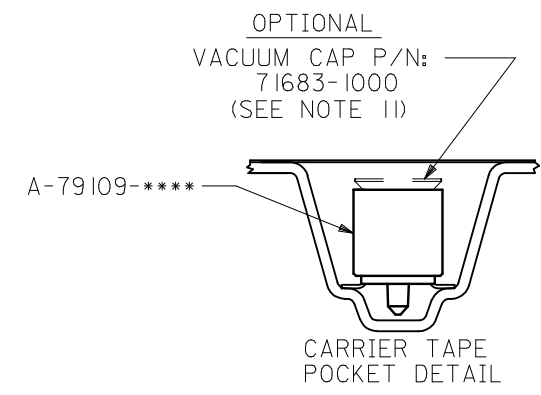


SEE SHEETS 2 AND 3 FOR USER DIRECTION OF FEED AND SPECIFIC PACKAGING COMPONENT PART NUMBERS

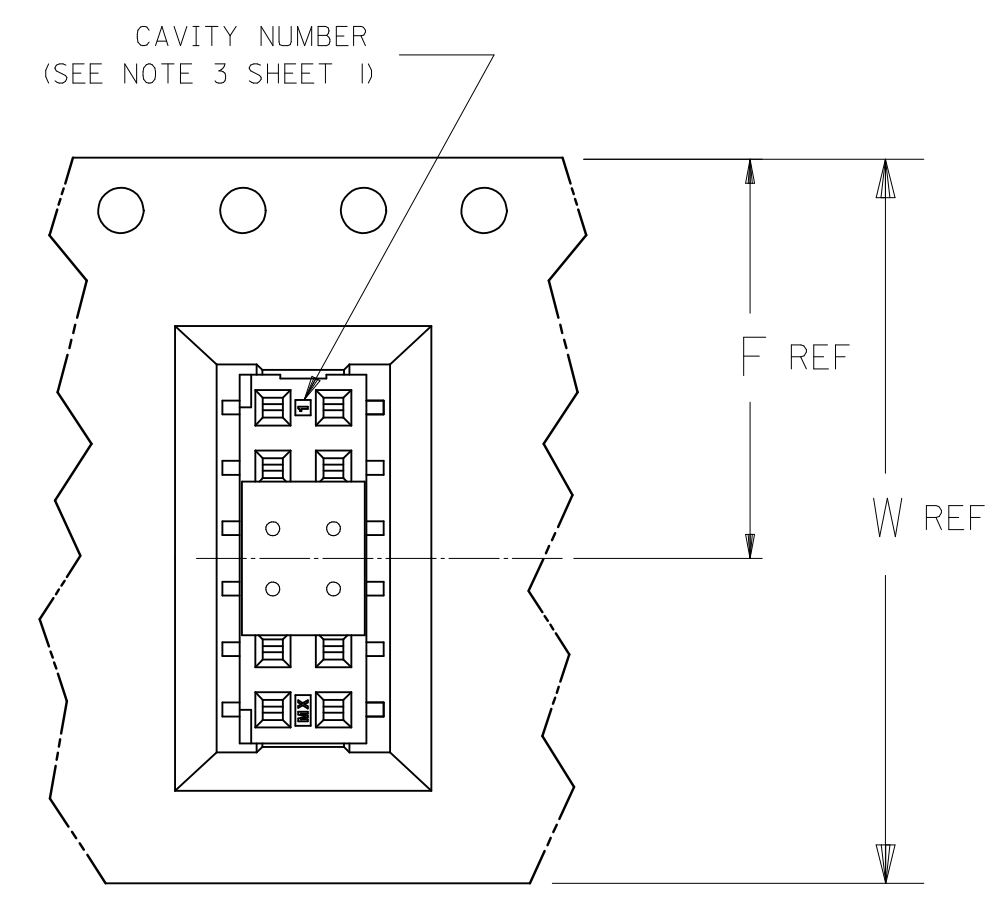


- NOTES:
- SEE SHEET 2 FOR TAPE DETAILS 24MM WIDE AND SMALLER.
 - SEE SHEET 2 FOR TAPE DETAILS 32MM WIDE AND LARGER.
 - PLACE PART IN FORMED CARRIER TAPE, ORIENTED WITH CAVITY NO. AS SHOWN ON SHEET 2 AND 3.
 - ALL COMPONENTS SHALL BE ORIENTED IN THE SAME DIRECTION.
 - EACH REEL WILL CONTAIN:
 - 500 ASSEMBLIES
 - 7000MM OF CARRIER TAPE WHICH INCLUDES 500MM OF EMPTY TAPE AT THE LEADER END AND 500MM OF EMPTY TAPE AT THE TRAILING END.
 - 8000MM OF COVER TAPE (TO COVER SCRAP AND TAPE CLOSURE).
 CARRIER AND/ OR COVER TAPE SLICING IS NOT PERMITTED.
 - NO TWO (2) CONSECUTIVE POCKETS SHALL BE VOID OF COMPONENTS EXCEPT FOR LEADER AND TRAILER. PARTIALLY FILLED REELS ARE NOT PERMITTED NO MORE THAN 10% OF POCKETS WITHIN BODY TO BE VOID.
 - THE START OF THE LEADER SHALL BE TAPED TO ADJACENT LAYER OF CARRIER TAPE WITH A PULL TAB.
 - ADJACENT LAYERS SHALL NOT STICK TOGETHER ON THE CARRIER REEL.
 - TOP COVER TAPE FOR CARRIER SHALL HAVE A PEEL STRENGTH OF 0.1 - 0.8N MEASURED AT 175° TO 180° WITH RESPECT TO THE LONGITUDINAL AXIS OF THE COMPONENT CARRIER TAPE. PEEL OFF SPEED TO BE 120±5MM PER MINUTE.
 - REELED COMPONENTS TO BE PACKED IN CARDBOARD BOX 96707-0007 OR 96707-1007. SEE SHEETS 2 AND 3 FOR QUANTITY OR REELS PRE BOX.
 - CAPS TO BE PLACED ON THE FOUR CENTER CIRCUITS FOR PARTS WITH EVEN NUMBER OF CIRCUITS PER ROW. FOR ODD NUMBER OF CIRCUITS PER ROW, USE THE TWO CENTER CIRCUITS AND THE TWO CIRCUITS ON CAVITY NO. OR RECESS (SIDE OF CENTER). (PICK AND PLACE CAP IS NOT REQUIRED ON 79109-9*** SERIES PARTS).
 - MUST COVER SLOT IN HUB OF TAKE-UP REEL WITH AN EMPTY POCKET OF CARRIER TAPE,
 - EACH REEL AND CARTON MUST HAVE A LABEL AFFIXED TO IT WITH THE FOLLOWING INFORMATION: CONNECTOR ITEM NUMBER, QUANTITY, AND DATE CODE.



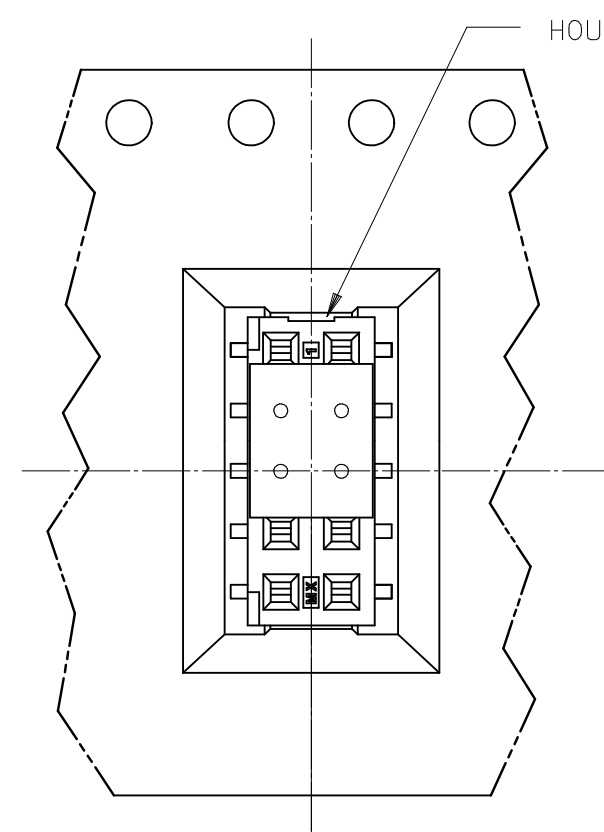
SEE SHEET 3 EC NO: S2017-0127 DRWN:GMENARLY 2016/07/26 CHKD:SCHEONG 2016/09/16 APPR:KHLIM 2016/09/17	QUALITY SYMBOLS $F_A=0$ $F_C=0$ $F_P=0$	GENERAL TOLERANCES (UNLESS SPECIFIED)		DIMENSION STYLE MM ONLY		SCALE NTS	DESIGN UNITS METRIC	THIRD ANGLE PROJECTION	
			mm	INCH	DRAWN BY RWB	DATE 1992/11/30	TITLE PACKAGING KIT FOR A-79109 ON VACUUM FORMED TAPE & REEL		
		4 PLACES	±---	±---	CHECKED BY KSEE	DATE 2001/04/01	molex DOCUMENT NO. PK-70873-0259 SHEET NO. 1 OF 3		
		3 PLACES	±---	±---	APPROVED BY KHLIM	DATE 2015/04/28			
			ANGULAR ±---°		MATERIAL NO.	SEE TABLE			
		DRAFT WHERE APPLICABLE MUST REMAIN WITHIN DIMENSIONS		SIZE A3	THIS DRAWING CONTAINS INFORMATION THAT IS PROPRIETARY TO MOLEX INCORPORATED AND SHOULD NOT BE USED WITHOUT WRITTEN PERMISSION				

CKT SIZE	CARRIER TAPE (PURCHASE)	CARRIER TAPE	COVER TAPE	REEL	REEL PER BOX	PARTS PER BOX	DIM "W"	DIM "F"
04	70180-5204	89990-9500	899905602	899905709	6	3000	16.00	7.50
06	70180-5206	89990-9501	899905603	899905710	5	2500	24.00	11.50
06	---	78888-2041	899905603	899905710	5	2500	16.00	7.50
08	70180-5208	89990-9502	899905603	899905710	5	2500	24.00	11.50
10	70180-5210	89990-9503	899905603	899905710	5	2500	24.00	11.50
12	70180-5212	89990-9504	899905603	899905710	5	2500	24.00	11.50

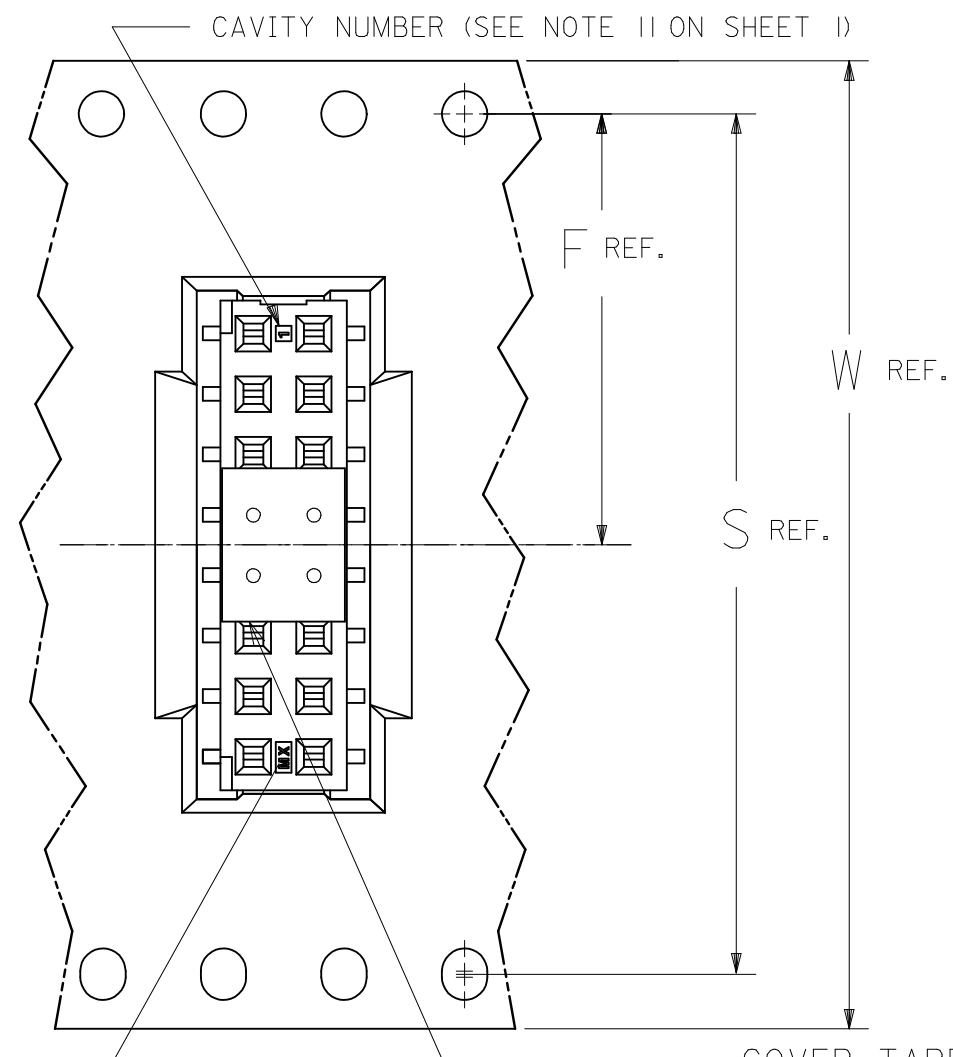


PICK AND PLACE CAP
PLACEMENT WHEN THERE IS AN
EVEN
NUMBER OF CIRCUITS
IN EACH ROW
(12 CKT SHOWN)
SEE NOTE II ON SHEET I

COVER TAPE
NOT SHOWN



PICK AND PLACE CAP
PLACEMENT WHEN THERE IS AN
ODD
NUMBER OF CIRCUITS
IN EACH ROW
(10 CKT SHOWN)
SEE NOTE II ON SHEET I



USER DIRECTION OF FEED

SEE NOTE II SHEET I

COVER TAPE
NOT SHOWN

SEE SHEET 3 EC NO: S2017-0127 DRWN:GMENARLY 2016/07/26 CHKD:SCHEONG 2016/09/16 APPR:KHL IM 2016/09/17	QUALITY SYMBOLS	GENERAL TOLERANCES (UNLESS SPECIFIED)		DIMENSION STYLE MM ONLY		SCALE NTS	DESIGN UNITS METRIC	THIRD ANGLE PROJECTION
	$F_A=0$	4 PLACES	mm	INCH	DRAWN BY RWB	DATE 1992/11/30	TITLE PACKAGING KIT FOR A-79109 ON VACUUM FORMED TAPE & REEL molex DOCUMENT NO. PK-70873-0259	SHEET NO. 2 OF 3
	$F_E=0$	3 PLACES	± ---	± ---	CHECKED BY KSEE	DATE 2001/04/01		
	$F_P=0$	2 PLACES	± ---	± ---	APPROVED BY KHL IM	DATE 2015/04/28		
	1 PLACE	± ---	± ---	MATERIAL NO.	SEE TABLE			
		0 PLACE	± ---	± ---	DRAFT WHERE APPLICABLE MUST REMAIN WITHIN DIMENSIONS		THIS DRAWING CONTAINS INFORMATION THAT IS PROPRIETARY TO MOLEX INCORPORATED AND SHOULD NOT BE USED WITHOUT WRITTEN PERMISSION	

10	9	8	7	6	5	4	3	2	1
CKT SIZE	CARRIER TAPE PURCHASE ITEM NUMBER	CARRIER TAPE BUILD IN HOUSE ITEM NUMBER	COVER TAPE ITEM NUMBER	TAKE-UP REEL ITEM NUMBER	REELS PER CARTON	PARTS PER CARTON	DIM "W"	DIM "F"	(SEE SHT 2) DIM "S"
14	70180-5214	89990-9505	89990-5604	89990-5711	4	2000	1.260/(32.0)	0.559/(14.2)	1.118/(28.4)
16	70180-5216	89990-9506	89990-5604	89990-5711	4	2000	1.260/(32.0)	0.559/(14.2)	1.118/(28.4)
18	70180-5218	78888-2088	89990-5604	89990-5711	4	2000	1.260/(32.0)	0.559/(14.2)	1.118/(28.4)
	--	89990-9507 (G9)							
20	70180-5220	89990-9508	89990-5604	89990-5711	4	2000	1.260/(32.0)	0.559/(14.2)	1.118/(28.4)
22	70180-5222	89990-9509	89990-5605	89990-5712	3	1500	1.732/(44.0)	0.795/(20.2)	1.591/(40.4)
24	70180-5224	89990-9510	89990-5605	89990-5712	3	1500	1.732/(44.0)	0.795/(20.2)	1.591/(40.4)
26	70180-5226	89990-9511	89990-5605	89990-5712	3	1500	1.732/(44.0)	0.795/(20.2)	1.591/(40.4)
28	70180-5228	89990-9512	89990-5605	89990-5712	3	1500	1.732/(44.0)	0.795/(20.2)	1.591/(40.4)
30	70180-5230	89990-9513	89990-5606	89990-5713	2	1000	2.205/(56.0)	1.031/(26.2)	2.063/(52.4)
32	70180-5232	89990-9514	89990-5606	89990-5713	2	1000	2.205/(56.0)	1.031/(26.2)	2.063/(52.4)
34	70180-5234	89990-9515	89990-5606	89990-5713	2	1000	2.205/(56.0)	1.031/(26.2)	2.063/(52.4)
36	70180-5236	89990-9516	89990-5606	89990-5713	2	1000	2.205/(56.0)	1.031/(26.2)	2.063/(52.4)
38	70180-5238	89990-9517	89990-5606	89990-5713	2	1000	2.205/(56.0)	1.031/(26.2)	2.063/(52.4)
40	70180-5240	89990-9518	89990-5606	89990-5713	2	1000	2.205/(56.0)	1.031/(26.2)	2.063/(52.4)
42	70180-5242	89990-9519	89990-5606	89990-5713	2	1000	2.205/(56.0)	1.031/(26.2)	2.063/(52.4)
44	70180-5244	89990-9520	89990-5606	89990-5713	2	1000	2.205/(56.0)	1.031/(26.2)	2.063/(52.4)
46	70180-5246	89990-9521	89990-5607	89990-5772	2	1000	2.835/(72.0)	1.346/(34.2)	2.693/(68.4)
48	70180-5248	89990-9522	89990-5607	89990-5772	2	1000	2.835/(72.0)	1.346/(34.2)	2.693/(68.4)
50	70180-5250	89990-9523	89990-5607	89990-5772	2	1000	2.835/(72.0)	1.346/(34.2)	2.693/(68.4)
50	89990-9525	-	89990-5607	89990-5772	2	1000	2.835/(72.0)	1.346/(34.2)	2.693/(68.4)

ADD OPTION FOR 18CKT EC NO: S2017-0127 DRWN:GMENARLY 2016/07/26 CHKD:SCHEONG 2016/09/16 APPR:KHLIM 2016/09/17	REV DESCRIPTION G9	QUALITY SYMBOLS	GENERAL TOLERANCES (UNLESS SPECIFIED)		DIMENSION STYLE MM ONLY		SCALE NTS	DESIGN UNITS METRIC	THIRD ANGLE PROJECTION		
		$F_A=0$	4 PLACES	±---	±---	DRAWN BY	DATE	TITLE PACKAGING KIT FOR A-79109 ON VACUUM FORMED TAPE & REEL			
		$F_C=0$	3 PLACES	±---	±---	RWB	1992/11/30				
		$F_P=0$	2 PLACES	±---	±---	CHECKED BY	DATE	<div style="text-align: center; font-weight: bold; font-size: 1.2em;">molex</div>			
			1 PLACE	±---	±---	KSEE	2001/04/01				
			0 PLACE	±---	±---	APPROVED BY	DATE	MATERIAL NO.		DOCUMENT NO.	SHEET NO.
DRAFT WHERE APPLICABLE MUST REMAIN WITHIN DIMENSIONS			ANGULAR ±---°		SEE TABLE		PK-70873-0259		3 OF 3		
					SIZE A3	THIS DRAWING CONTAINS INFORMATION THAT IS PROPRIETARY TO MOLEX INCORPORATED AND SHOULD NOT BE USED WITHOUT WRITTEN PERMISSION					