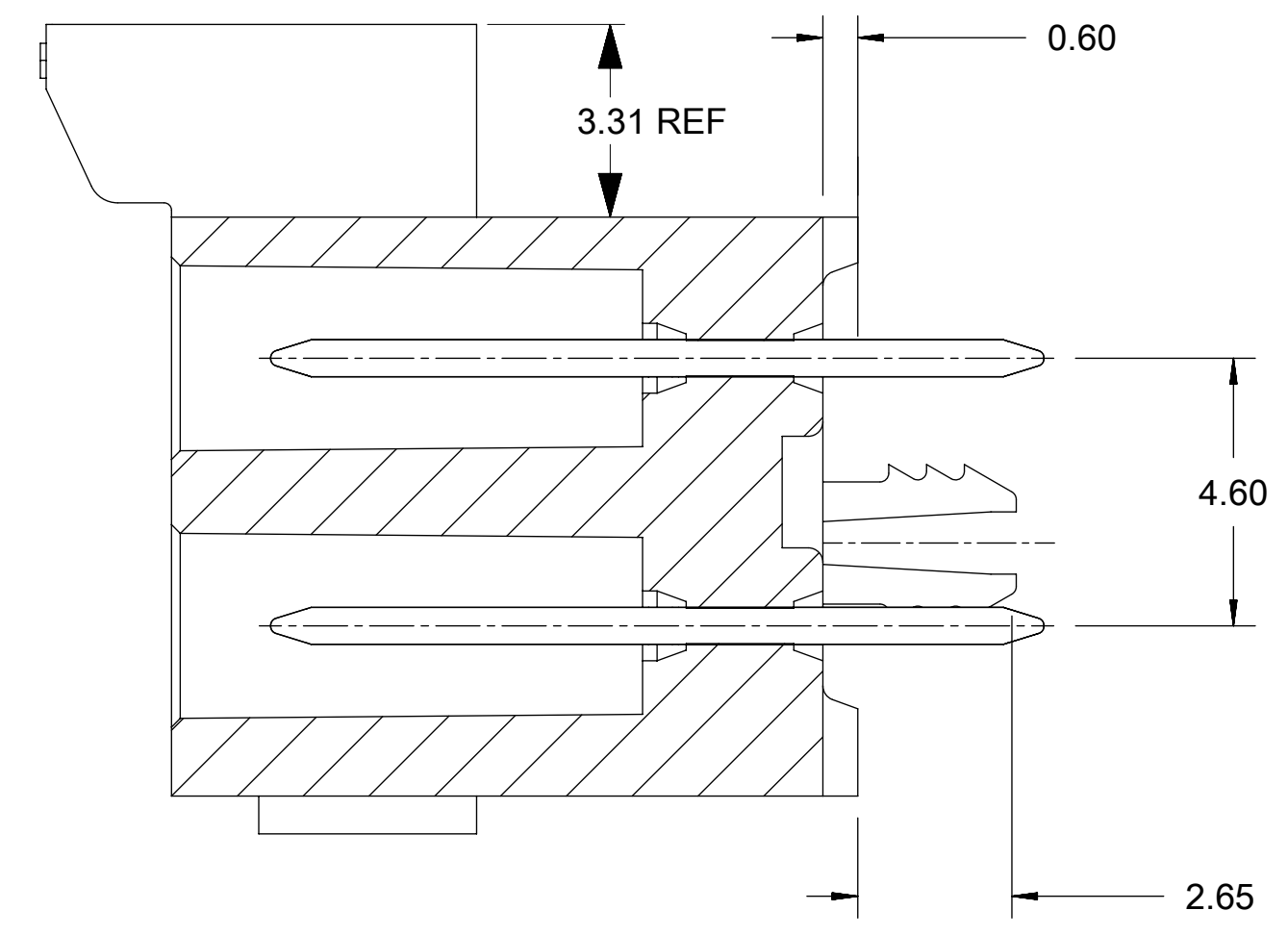
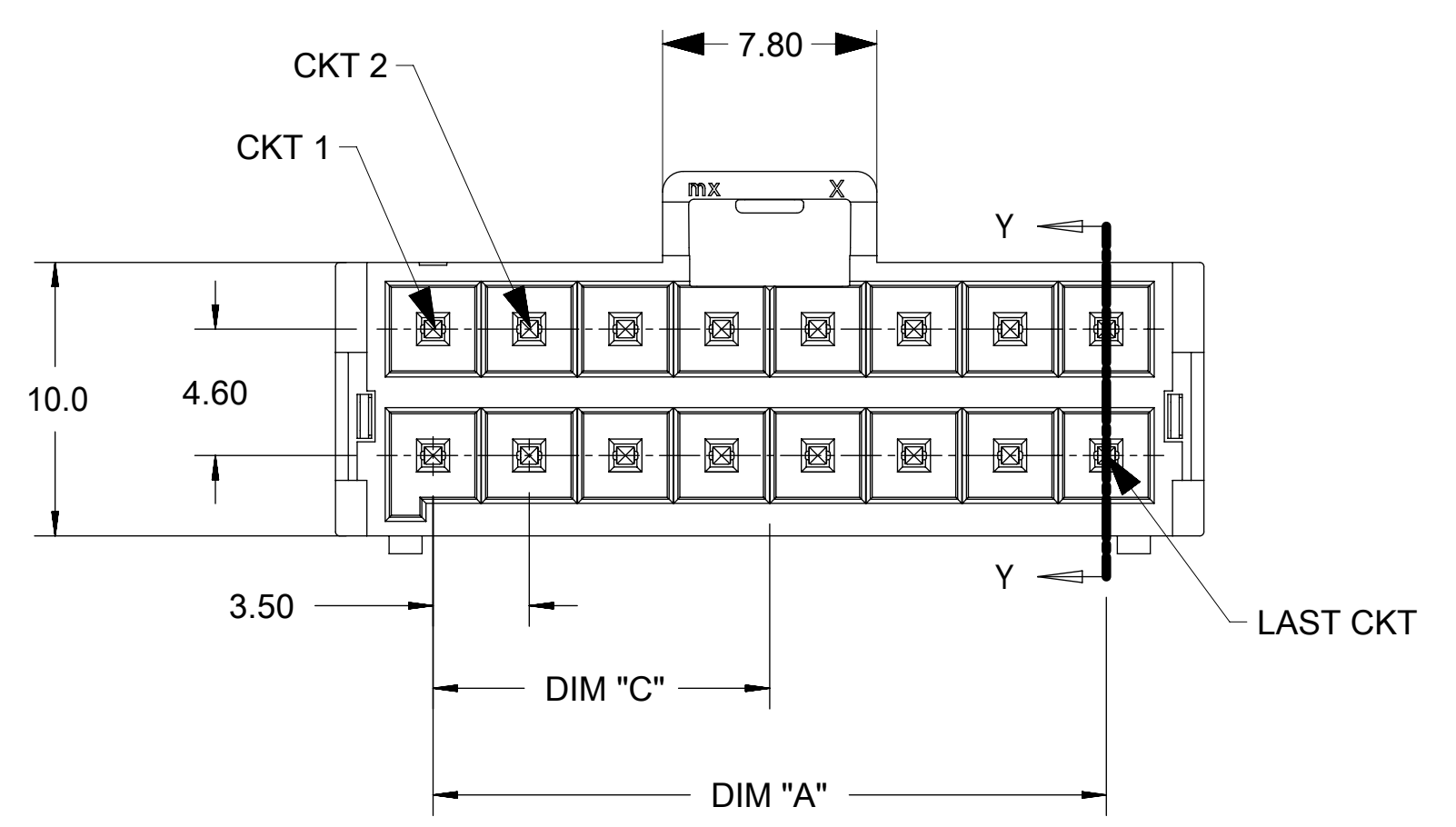
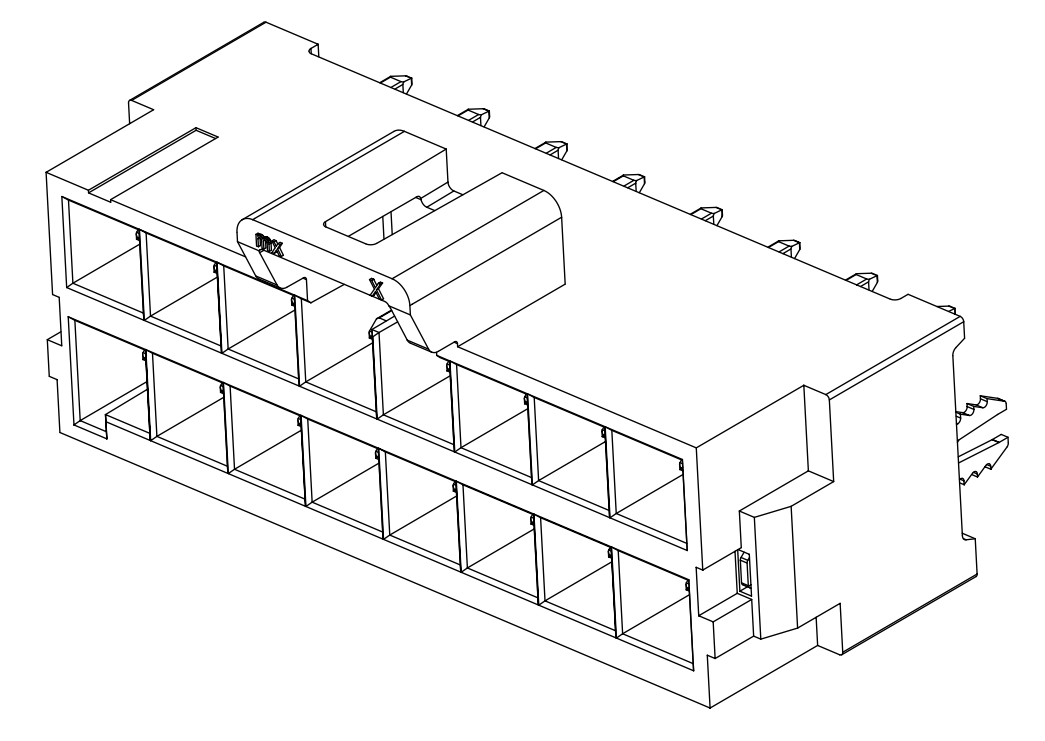
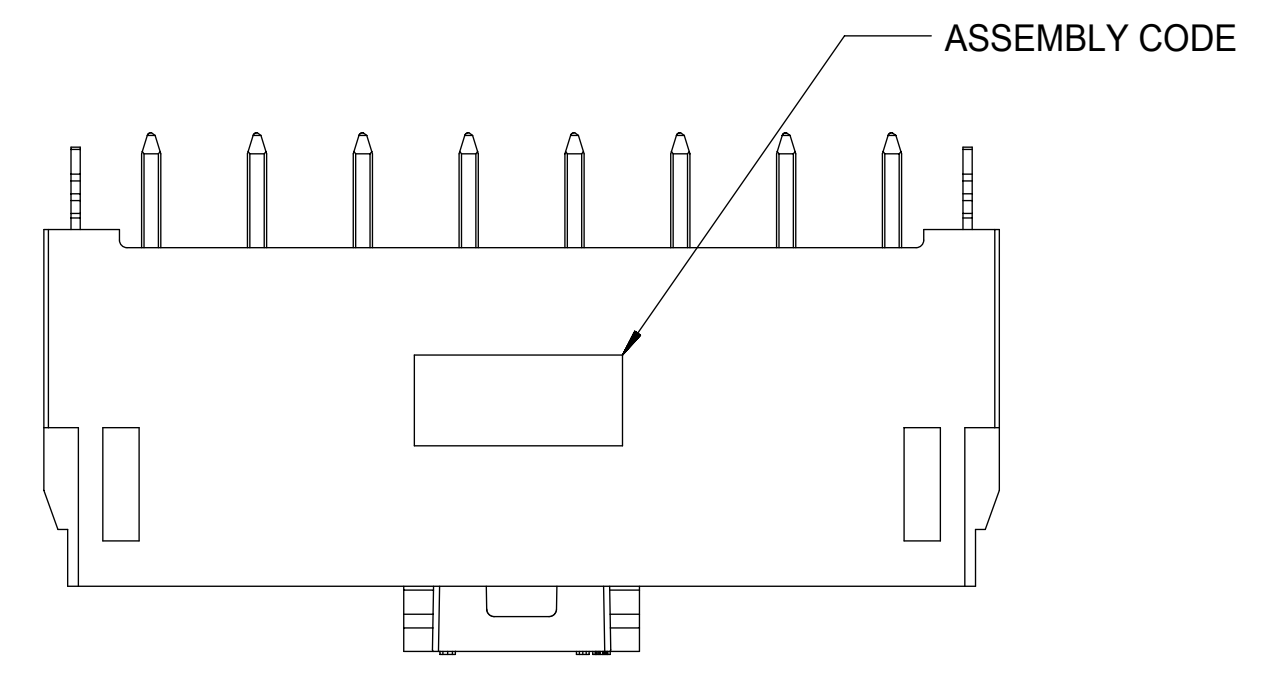
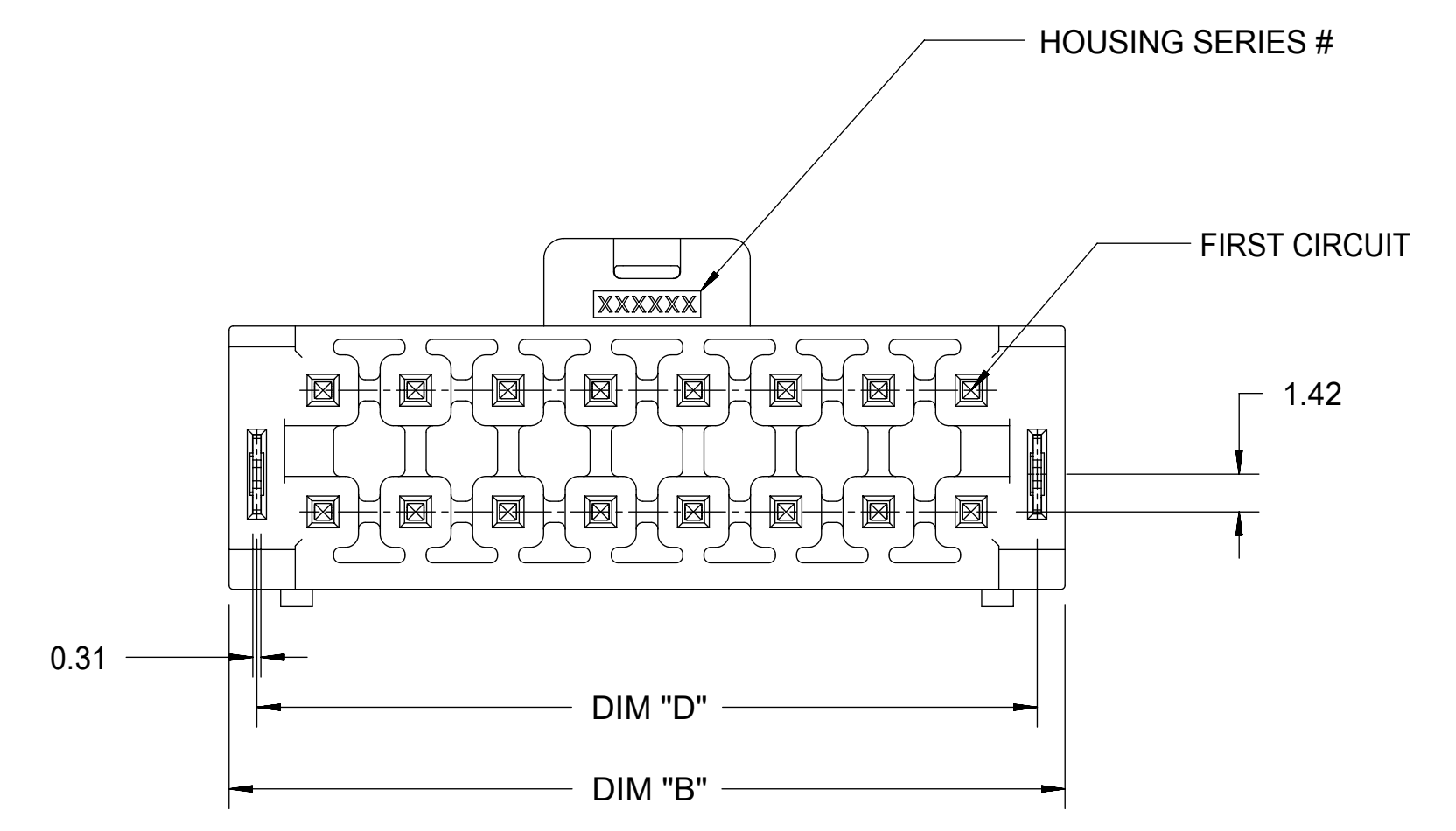


FIRST CIRCUIT MARK
(NOT SHOWING ON 4
AND 6 CIRCUITS SERIES)

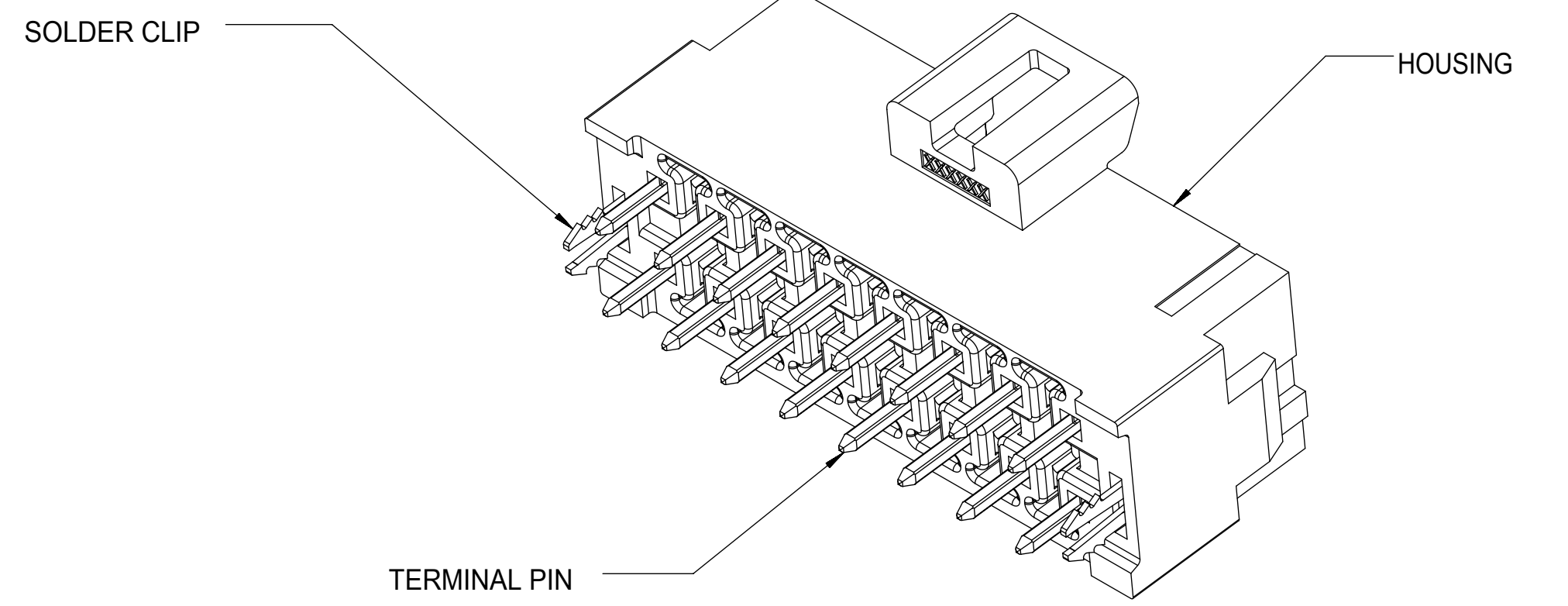
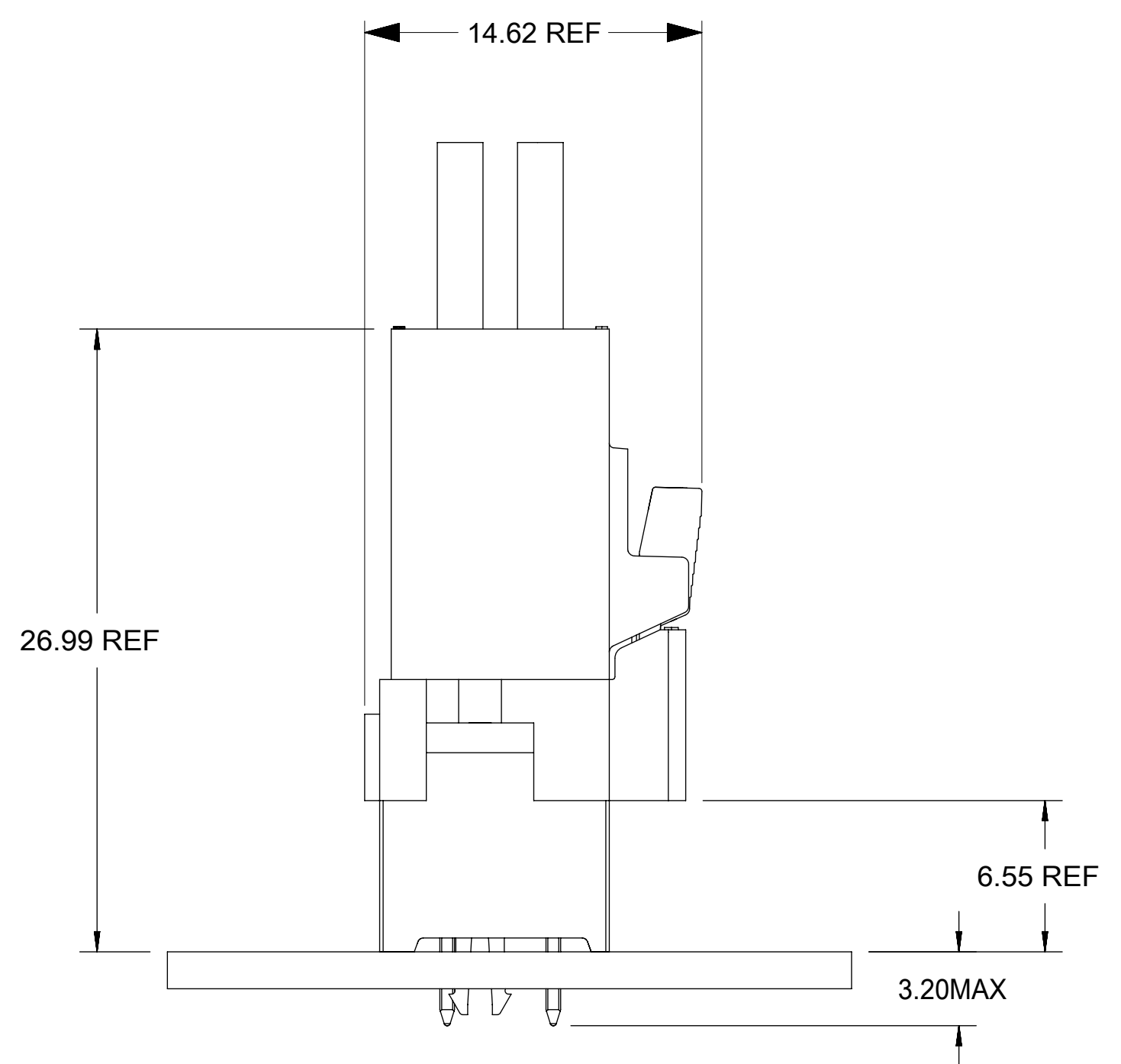


SECTION Y-Y
SCALE 8:1

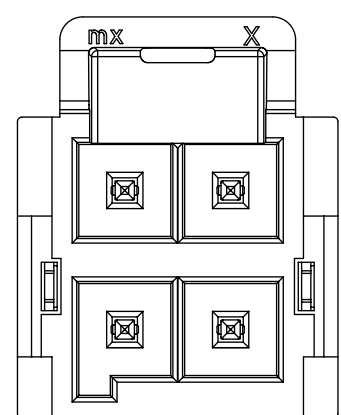


NOTES:

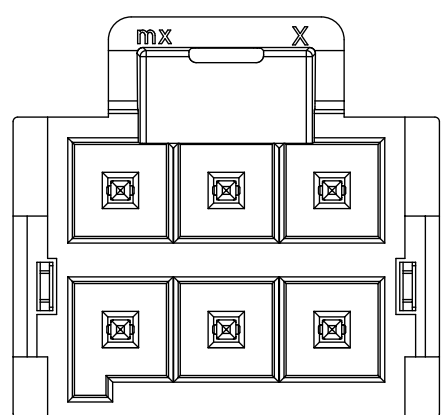
1. MATERIAL :
HOUSING
OPTION 1: LCP BLACK, UL94 V-0
OPTION 2: LCP NATURAL, UL94 V-0
TERMINAL: COPPER ALLOY
2. PLATING FINISH:
OPTION 1 - 1.5µm(60µin)-2.5µm(100µin) TIN OVER
1.25µm(50µin)-2.5µm(100µin) NICKEL OVERALL
OPTION 2 - 0.35µm(15µin) GOLD CONTACT AREA,
1.5µm(60µin)-2.5µm(100µin) TIN TAIL AREA OVER
1.25µm(50µin)-2.5µm(100µin) NICKEL OVERALL
OPTION 3 - 0.70µm(30µin) GOLD CONTACT AREA,
1.5µm(60µin)-2.5µm(100µin) TIN TAIL AREA OVER
1.25µm(50µin)-2.5µm(100µin) NICKEL OVERALL
2. PARTS TO BE PACKAGED PER PK-172299-9001
3. PRODUCT SPECIFICATION PS-172323-0001
4. PART MATES WITH MOLEX RECEPTACLE HOUSING
172258 AND 172262
5. PART CONFORMS TO CLASS "C" REQUIREMENTS OF SPECIFICATION
PS-45499-002 WITH 0.13 MM MAXIMUM FLASH ALLOWED IN CORE
HOLES AND FRONT SURFACE.
6. DISCOLORATION IN THE BANDOLIER AREA OF THE PIN IS
INHERENT TO THE PLATING PROCESS AND IS DUE TO THE MASKING
EFFECT OF THE CARRIER. THIS DISCOLORATION IS IN A NON-FUNCTIONAL
AREA OF THE PIN AND WILL NOT AFFECT THE PERFORMANCE OF THE
HEADER ASSEMBLY.
7. APPLICATION SPECIFICATION: AS-172323-0001



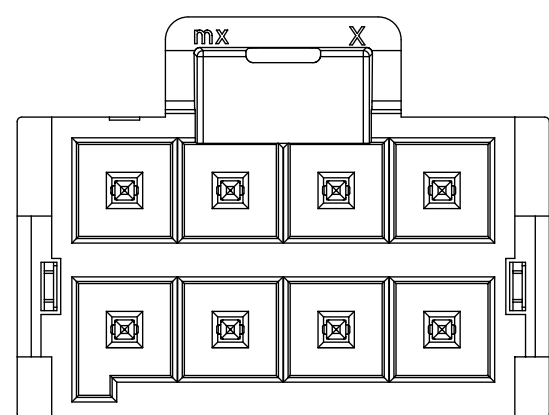
THIS DRAWING CONTAINS INFORMATION THAT IS PROPRIETARY TO MOLEX ELECTRONIC TECHNOLOGIES, LLC AND SHOULD NOT BE USED WITHOUT WRITTEN PERMISSION										
QUALITY SYMBOLS	2016/04/28	2016/03/30	GENERAL TOLERANCES (UNLESS SPECIFIED)		DIMENSION UNITS	SCALE				
			ANGULAR TOL ± °		MM	4:1				
▽ = 0	EC NO: 104752 DRWN: PPerez03 CHKD: REV APPR: RHODGE	B7	4 PLACES ±	DRWN BY	DATE		ULTRA-FIT VERT HEADER 4-16 CKTS DUAL ROW WITH SOLDER CLIP			
▽ = 0			3 PLACES ±	DROSCA	2014/03/04					
▽ = 0			2 PLACES ± 0.25	CHKD BY	DATE		PRODUCT CUSTOMER DRAWING			
▽ = 0			1 PLACE ± 0.5	JCOMERCI	2014/04/24					
▽ = 0			0 PLACES ±	APPR BY	DATE		SERIES	MATERIAL NUMBER	CUSTOMER	
▽ = 0			DRAFT WHERE APPLICABLE MUST REMAIN WITHIN DIMENSIONS		DRAWING SIZE	THIRD ANGLE PROJECTION		172299	GENERAL MARKET	
▽ = 0			D			DOCUMENT NUMBER	DOC TYPE	DOC PART	SHEET NUMBER	
						SD-172299-1000	PSD	000	1 OF 2	



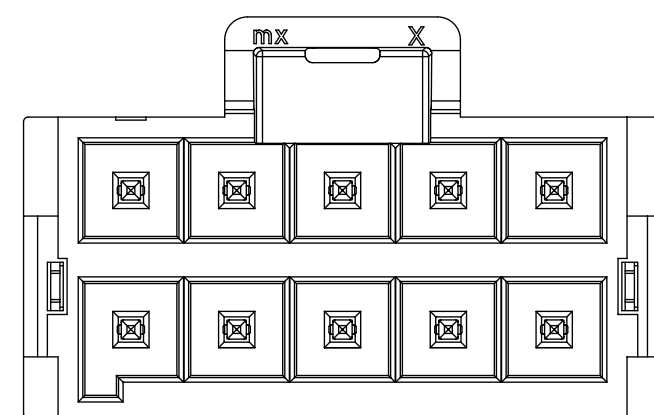
2 CKT



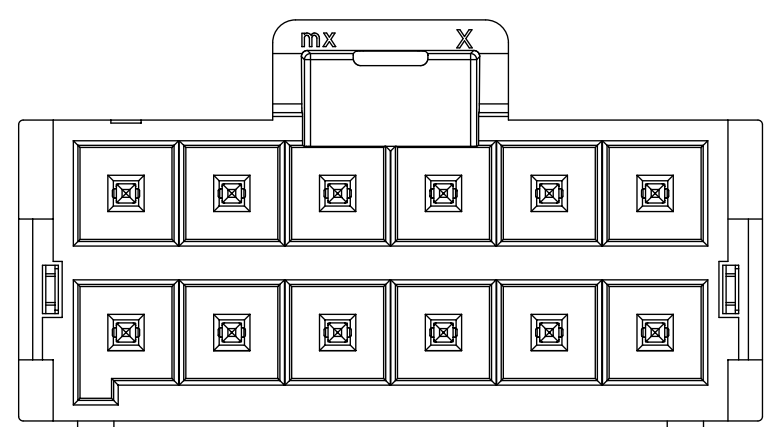
6 CKT



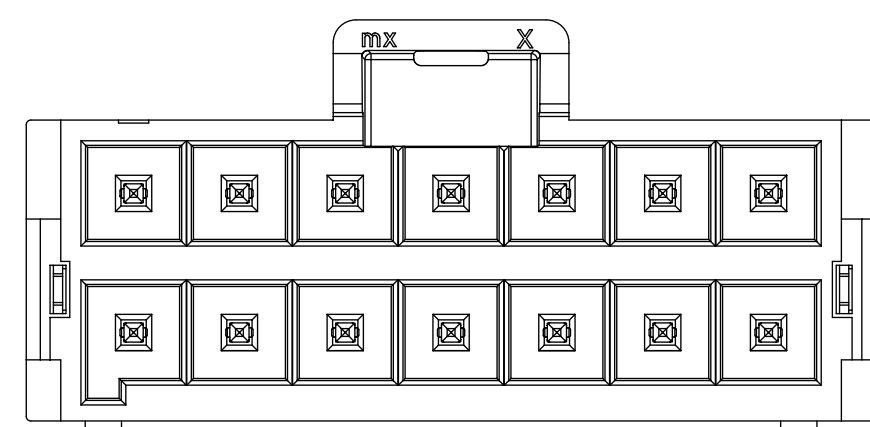
8 CKT



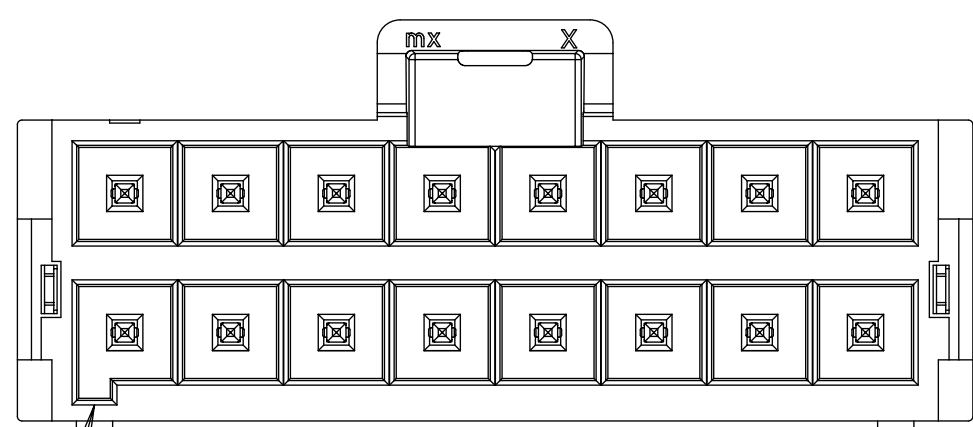
10 CKT



12 CKT

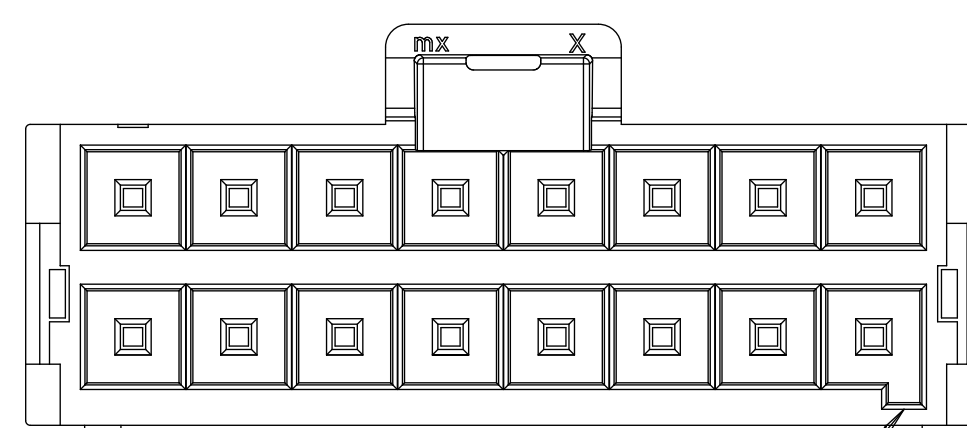


14 CKT

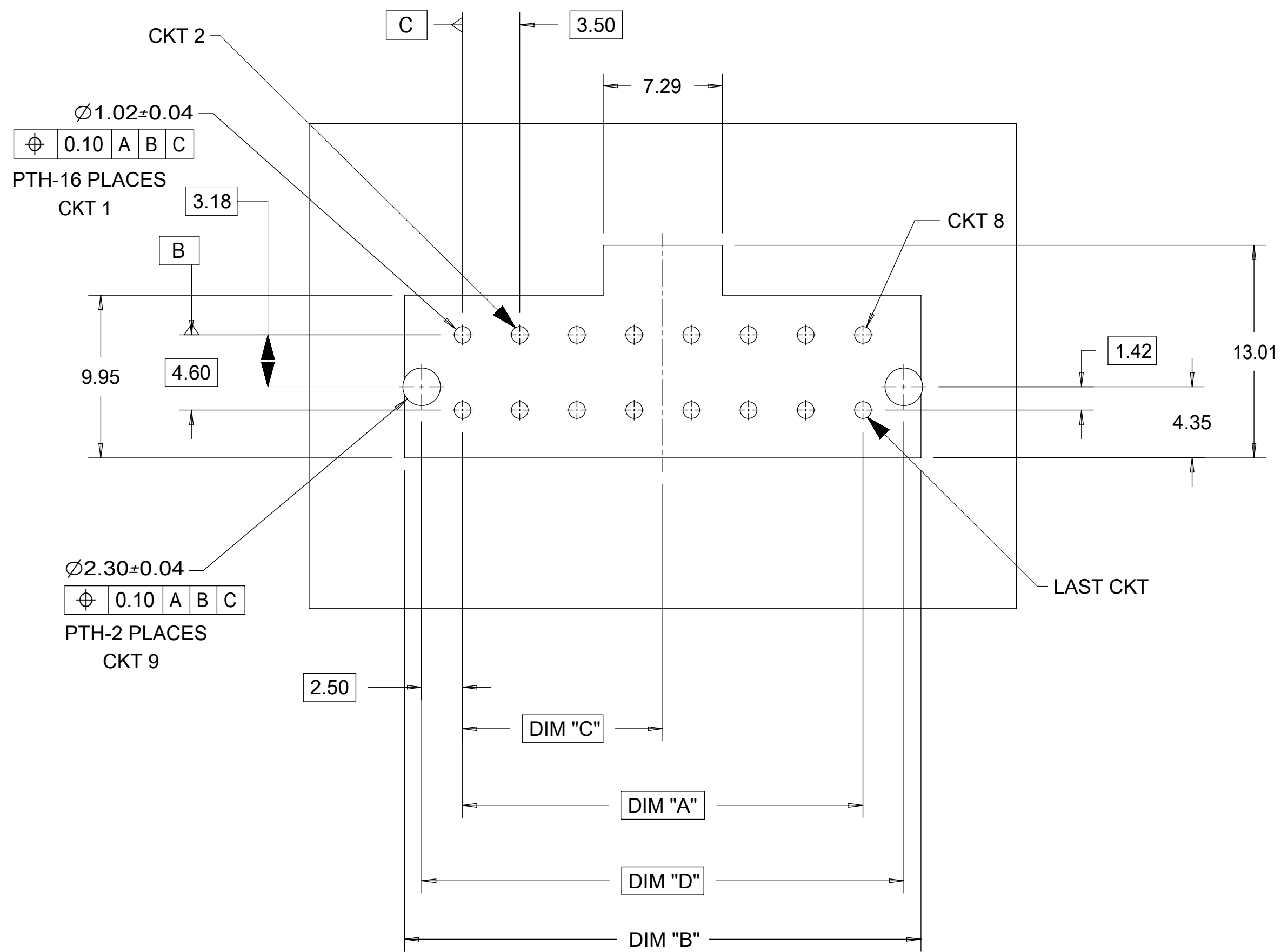


16 CKT

KEY A
(BLACK)



KEY B
(NATURAL)



NOTE: DATUM -A- IS ON PCB COMPONENT SIDE

PCB LAYOUT COMPONENT SIDE
RECOMENDED PCB THICKNESS 1.60MM-2.40MM

TIN PLATING							
PART NO.	COLOR	CIRCUIT SIZE	KEY OPTION	DIM A	DIM B	DIM C	DIM D
172299-1104	BLACK	4	KEY A	3.50	10.60	1.75	8.50
172299-1106	BLACK	6	KEY A	7.00	14.10	3.50	12.00
172299-1108	BLACK	8	KEY A	10.50	17.60	5.25	15.50
172299-1110	BLACK	10	KEY A	14.00	21.10	7.00	19.00
172299-1112	BLACK	12	KEY A	17.50	24.60	8.75	22.50
172299-1114	BLACK	14	KEY A	21.00	28.10	10.50	26.00
172299-1116	BLACK	16	KEY A	24.50	31.60	12.25	29.50
172299-2104	NATURAL	4	KEY B	3.50	10.60	1.75	8.50
172299-2106	NATURAL	6	KEY B	7.00	14.10	3.50	12.00
172299-2108	NATURAL	8	KEY B	10.50	17.60	5.25	15.50
172299-2110	NATURAL	10	KEY B	14.00	21.10	7.00	19.00
172299-2112	NATURAL	12	KEY B	17.50	24.60	8.75	22.50
172299-2114	NATURAL	14	KEY B	21.00	28.10	10.50	26.00
172299-2116	NATURAL	16	KEY B	24.50	31.60	12.25	29.50

15 MICROINCH GOLD PLATING							
PART NO.	COLOR	CIRCUIT SIZE	KEY OPTION	DIM A	DIM B	DIM C	DIM D
172299-1204	BLACK	4	KEY A	3.50	10.60	1.75	8.50
172299-1206	BLACK	6	KEY A	7.00	14.10	3.50	12.00
172299-1208	BLACK	8	KEY A	10.50	17.60	5.25	15.50
172299-1210	BLACK	10	KEY A	14.00	21.10	7.00	19.00
172299-1212	BLACK	12	KEY A	17.50	24.60	8.75	22.50
172299-1214	BLACK	14	KEY A	21.00	28.10	10.50	26.00
172299-1216	BLACK	16	KEY A	24.50	31.60	12.25	29.50
172299-2204	NATURAL	4	KEY B	3.50	10.60	1.75	8.50
172299-2206	NATURAL	6	KEY B	7.00	14.10	3.50	12.00
172299-2208	NATURAL	8	KEY B	10.50	17.60	5.25	15.50
172299-2210	NATURAL	10	KEY B	14.00	21.10	7.00	19.00
172299-2212	NATURAL	12	KEY B	17.50	24.60	8.75	22.50
172299-2214	NATURAL	14	KEY B	21.00	28.10	10.50	26.00
172299-2216	NATURAL	16	KEY B	24.50	31.60	12.25	29.50

30 MICROINCH GOLD PLATING							
PART NO.	COLOR	CIRCUIT SIZE	KEY OPTION	DIM A	DIM B	DIM C	DIM D
172299-1304	BLACK	4	KEY A	3.50	10.60	1.75	8.50
172299-1306	BLACK	6	KEY A	7.00	14.10	3.50	12.00
172299-1308	BLACK	8	KEY A	10.50	17.60	5.25	15.50
172299-1310	BLACK	10	KEY A	14.00	21.10	7.00	19.00
172299-1312	BLACK	12	KEY A	17.50	24.60	8.75	22.50
172299-1314	BLACK	14	KEY A	21.00	28.10	10.50	26.00
172299-1316	BLACK	16	KEY A	24.50	31.60	12.25	29.50
172299-2304	NATURAL	4	KEY B	3.50	10.60	1.75	8.50
172299-2306	NATURAL	6	KEY B	7.00	14.10	3.50	12.00
172299-2308	NATURAL	8	KEY B	10.50	17.60	5.25	15.50
172299-2310	NATURAL	10	KEY B	14.00	21.10	7.00	19.00
172299-2312	NATURAL	12	KEY B	17.50	24.60	8.75	22.50
172299-2314	NATURAL	14	KEY B	21.00	28.10	10.50	26.00
172299-2316	NATURAL	16	KEY B	24.50	31.60	12.25	29.50

QUALITY SYMBOLS F = 0 E = 0 D = 0 C = 0 B = 0 A = 0 0 = 0 1 = 0 2 = 0 3 = 0 4 = 0 5 = 0 6 = 0 7 = 0 8 = 0 9 = 0	THIS DRAWING CONTAINS INFORMATION THAT IS PROPRIETARY TO MOLEX ELECTRONIC TECHNOLOGIES, LLC AND SHOULD NOT BE USED WITHOUT WRITTEN PERMISSION				DIMENSION UNITS: MM SCALE: 4:1		
	GENERAL TOLERANCES (UNLESS SPECIFIED) ANGULAR TOL ± °		DRWN BY: DROSCA DATE: 2014/03/04		PRODUCT CUSTOMER DRAWING		
	4 PLACES ± 3 PLACES ± 2 PLACES ± 0.25 1 PLACE ± 0.5 0 PLACES ±		CHKD BY: JCOMERCI DATE: 2014/04/24		SERIES: 172299 MATERIAL NUMBER: SD-172299-1000 CUSTOMER: GENERAL MARKET		
	DRAFT WHERE APPLICABLE MUST REMAIN WITHIN DIMENSIONS		DRAWING SIZE: D THIRD ANGLE PROJECTION		DOCUMENT NUMBER: 2 OF 2		