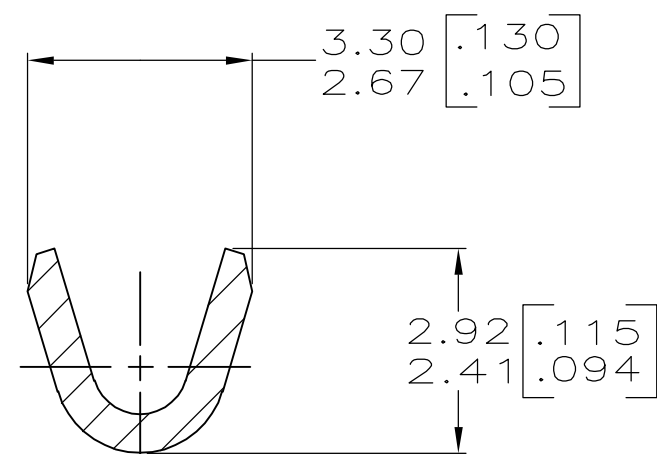
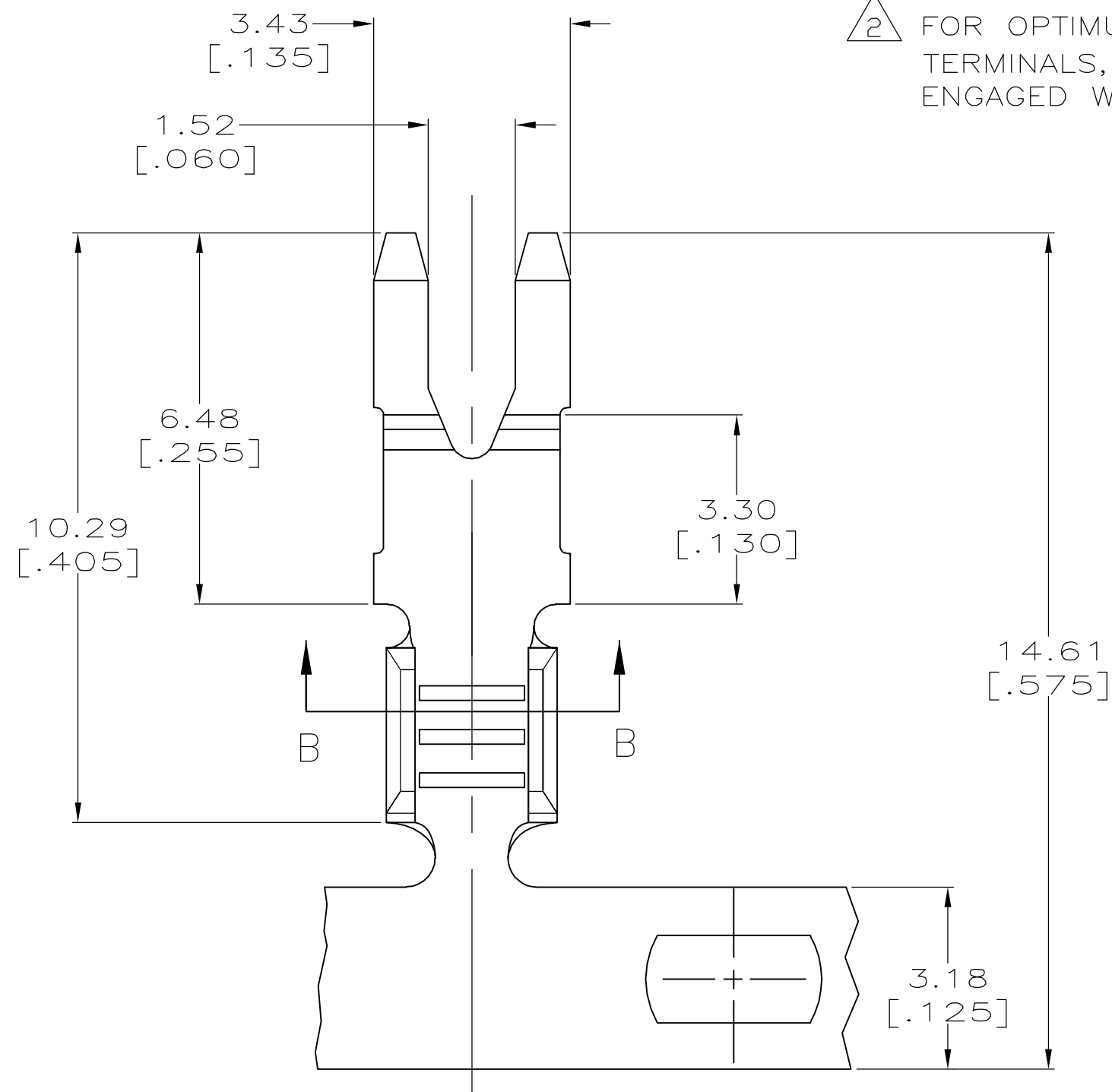
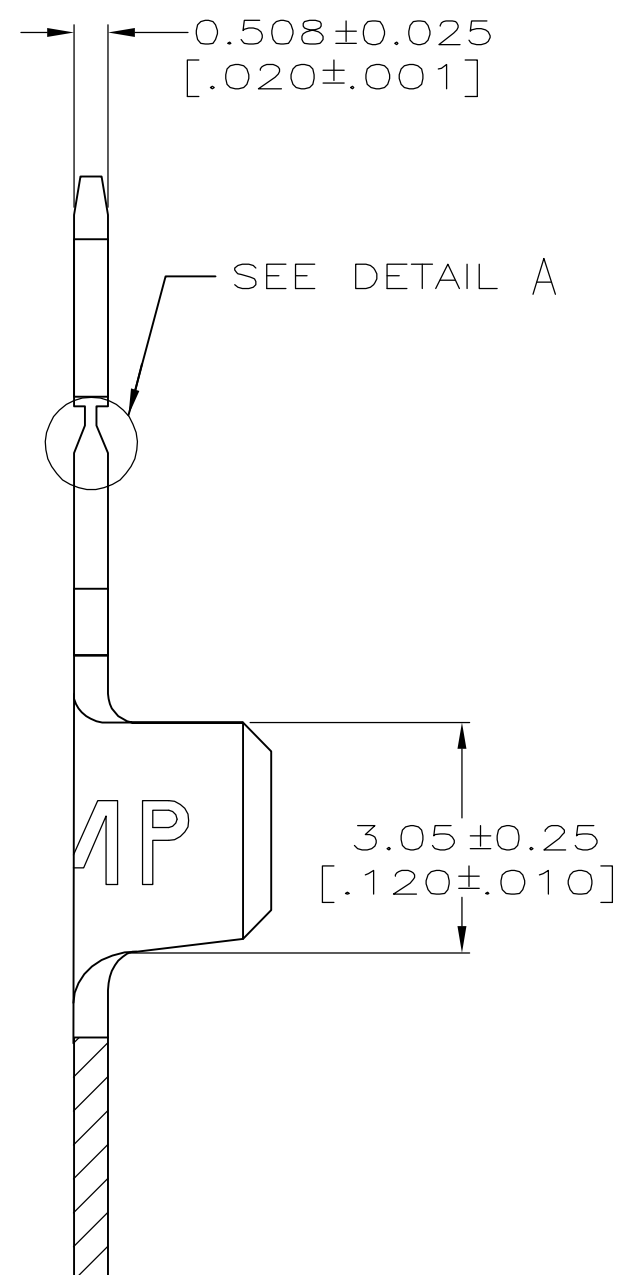
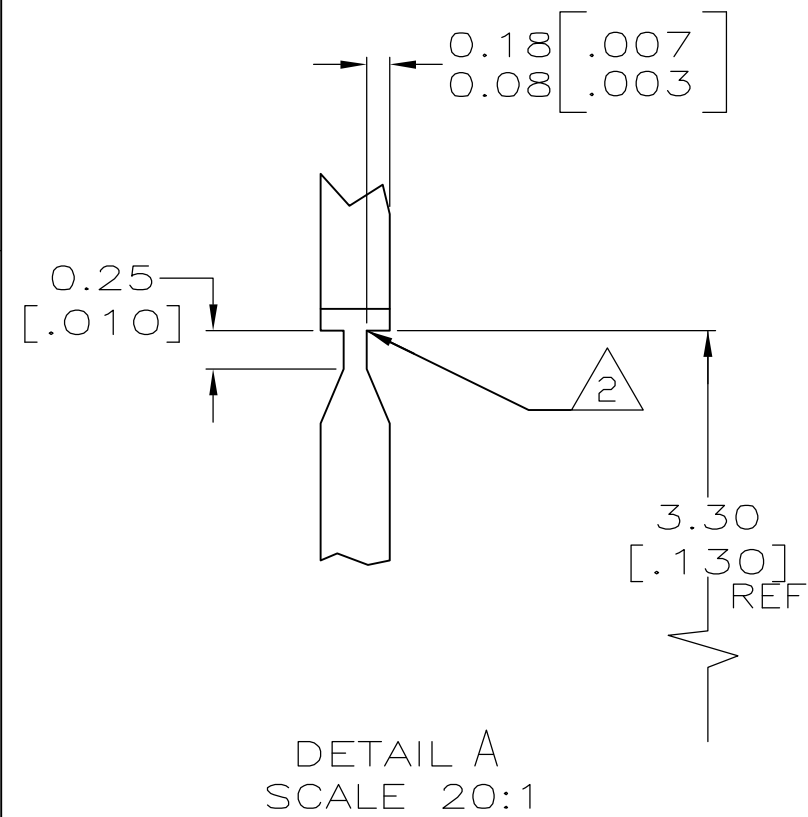


THIS DRAWING IS UNPUBLISHED. RELEASED FOR PUBLICATION
 © COPYRIGHT BY TYCO ELECTRONICS CORPORATION. ALL RIGHTS RESERVED.

LOC	DIST	REVISIONS			
P	LTR	DESCRIPTION	DATE	DWN	APVD
AF	50				
		K	REVISED PER ECR-05-014583	28NOV05	MF KR

1 CONTINUOUS STRIP ON REELS

△ FOR OPTIMUM RETENTION IN POKE-IN TYPE MAG-MATE TERMINALS, THE SERRATION AS SHOWN MUST BE ENGAGED WITH THE EDGE OF THE LEAF



0.3-0.8mm [#22-#18] AWG	62897-1
WIRE RANGE	PART NUMBER

THIS DRAWING IS A CONTROLLED DOCUMENT.		DWN R.GRZYBOWSKI 8AUG96	Tyco Electronics Corporation Harrisburg, PA 17105-3608	
DIMENSIONS: mm		CHK M.S.FEHER 8AUG96	NAME TAB, POKE-IN, MAG-MATE™	
TOLERANCES UNLESS OTHERWISE SPECIFIED:		APVD G.PORTA 8AUG96	PRODUCT SPEC	
0 PLC ± -		APPLICATION SPEC		
1 PLC ± -		114-2050		
2 PLC ± 0.25[.010]		WEIGHT -		
3 PLC ± -		SIZE A2 CAGE CODE 00779 C=62897		
4 PLC ± -		DRAWING NO		
ANGLES ± -		RESTRICTED TO		
FINISH		SCALE 10:1 SHEET 1 of 1 REV K		
082 BRASS		CUSTOMER DRAWING		
0.002032[.000080] MIN TIN PLATE				