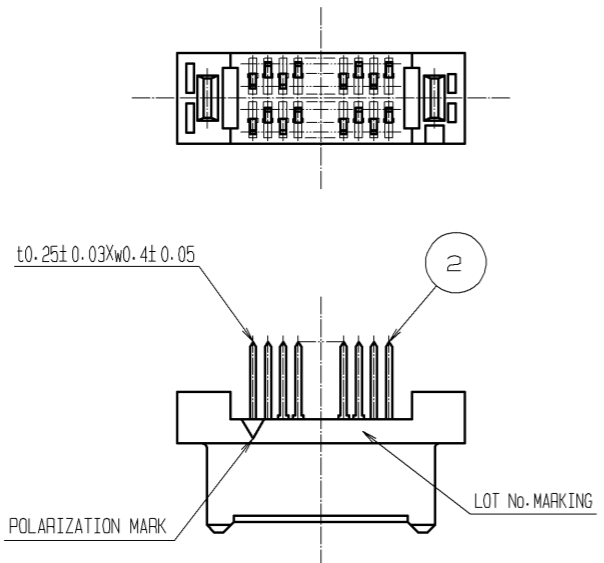
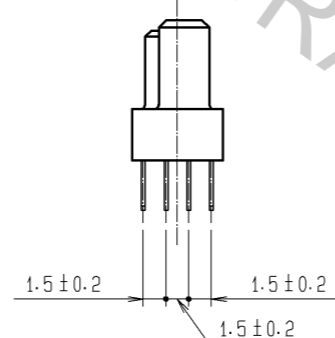
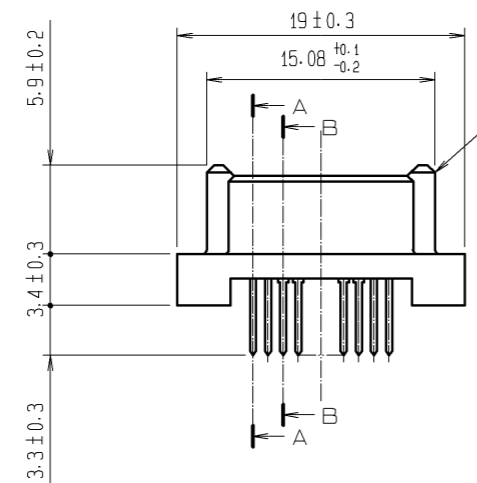
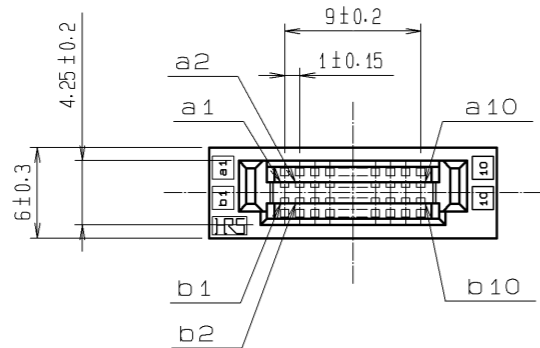
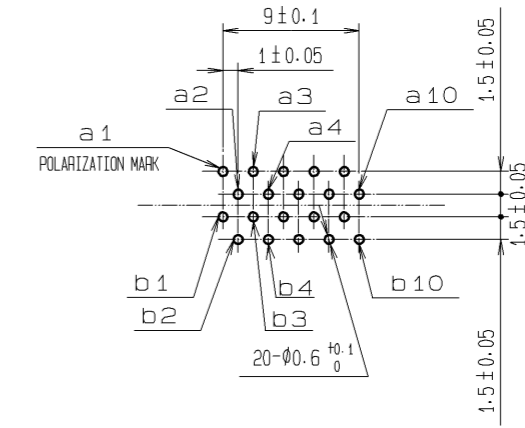


Apr.1.2017 Copyright 2017 HIROSE ELECTRIC CO., LTD. All Rights Reserved.

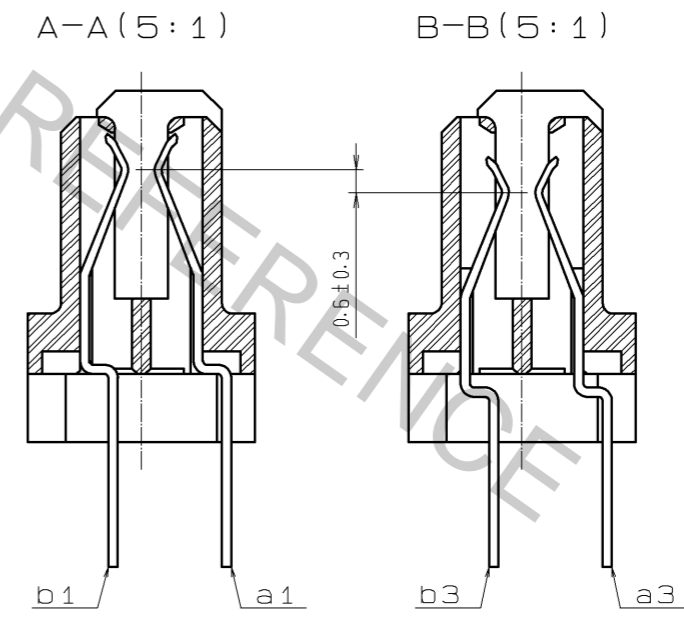


RECOMMENDED PC BOARD HOLE PATTERN (MOUNTING SIDE)
 APPLICABLE BOARD THICKNESS: 1.6



CONTACT SEQUENCE

| SEQUENCE | PIN NO. |
|----------|------------------------------------|
| 1 | a1, a2, a9, a10 b1, b2, b9, b10 |
| 2 | a3~a8 b3~b8 |



| | | | | | | | |
|--------------------------------------|-----------|-----------------------|-----------|--------------------------|---|---------|------|
| 1 | POLYAMIDE | BEIGE UL94V-0 | 2 | PHOSPHOR BRONZE | CONTACT AREA : GOLD 0.1µm min. LEAD AREA : TIN-PLATING 1.2µm min. UNDER PLATING : NICKEL 1µm min. | | |
| NO. | MATERIAL | FINISH, REMARKS | NO. | MATERIAL | FINISH, REMARKS | | |
| UNITS mm | | SCALE 2:1 | COUNT | DESCRIPTION OF REVISIONS | DESIGNED | CHECKED | DATE |
| HRS HIROSE ELECTRIC CO., LTD. | | APPROVED : HS. OKAWA | 07.10.30 | DRAWING NO. | EDC3-151414-21 | | |
| | | CHECKED : HS. OZAWA | 07.10.30 | PART NO. | FX5-20S2A-DSA(71) | | |
| | | DESIGNED : SY. KAMIGA | 07.10.30 | CODE NO. | CL575-0101-1-71 | | |
| | | DRAWN : HK. SUNADORI | 07.10.26 | | | | |