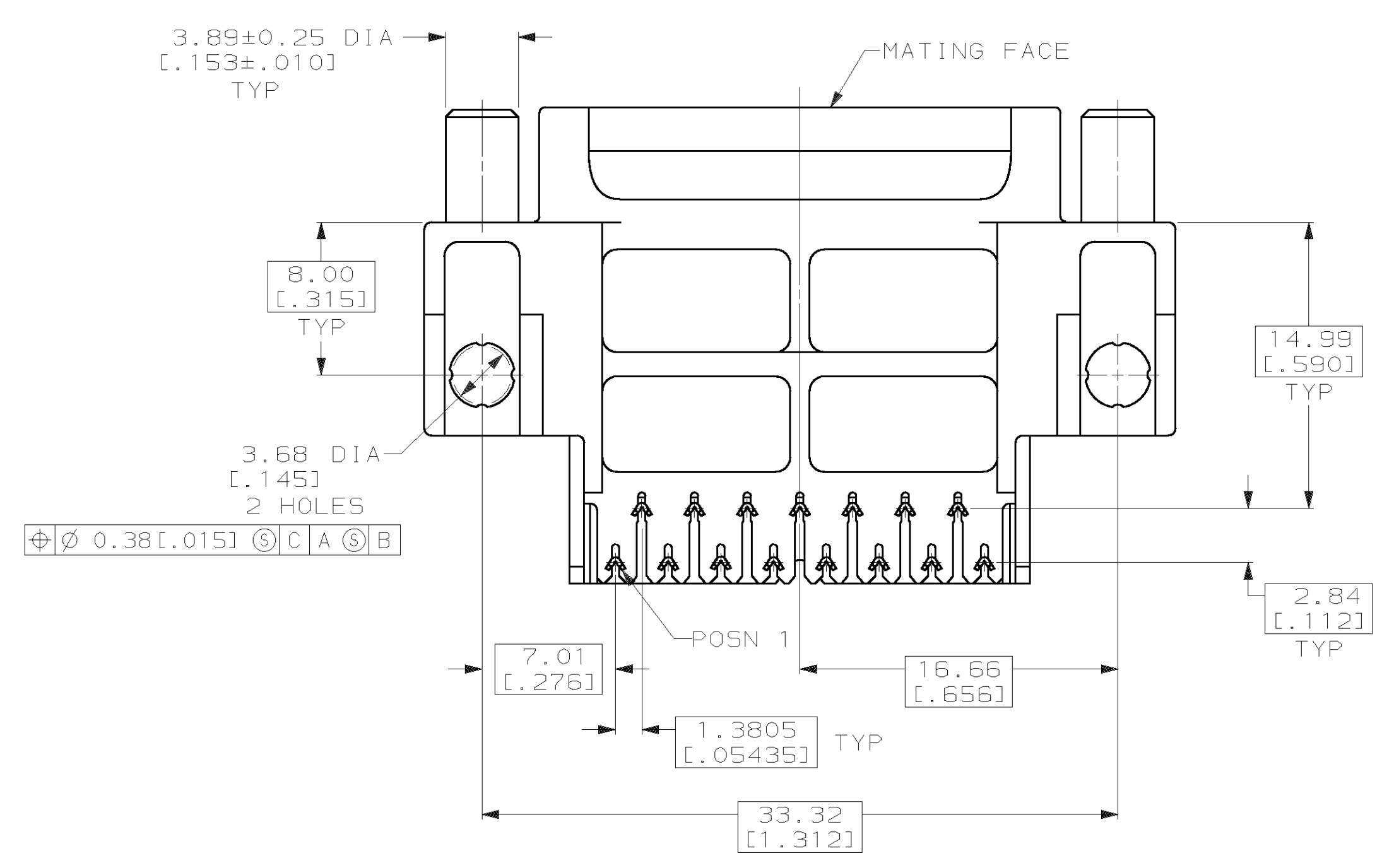
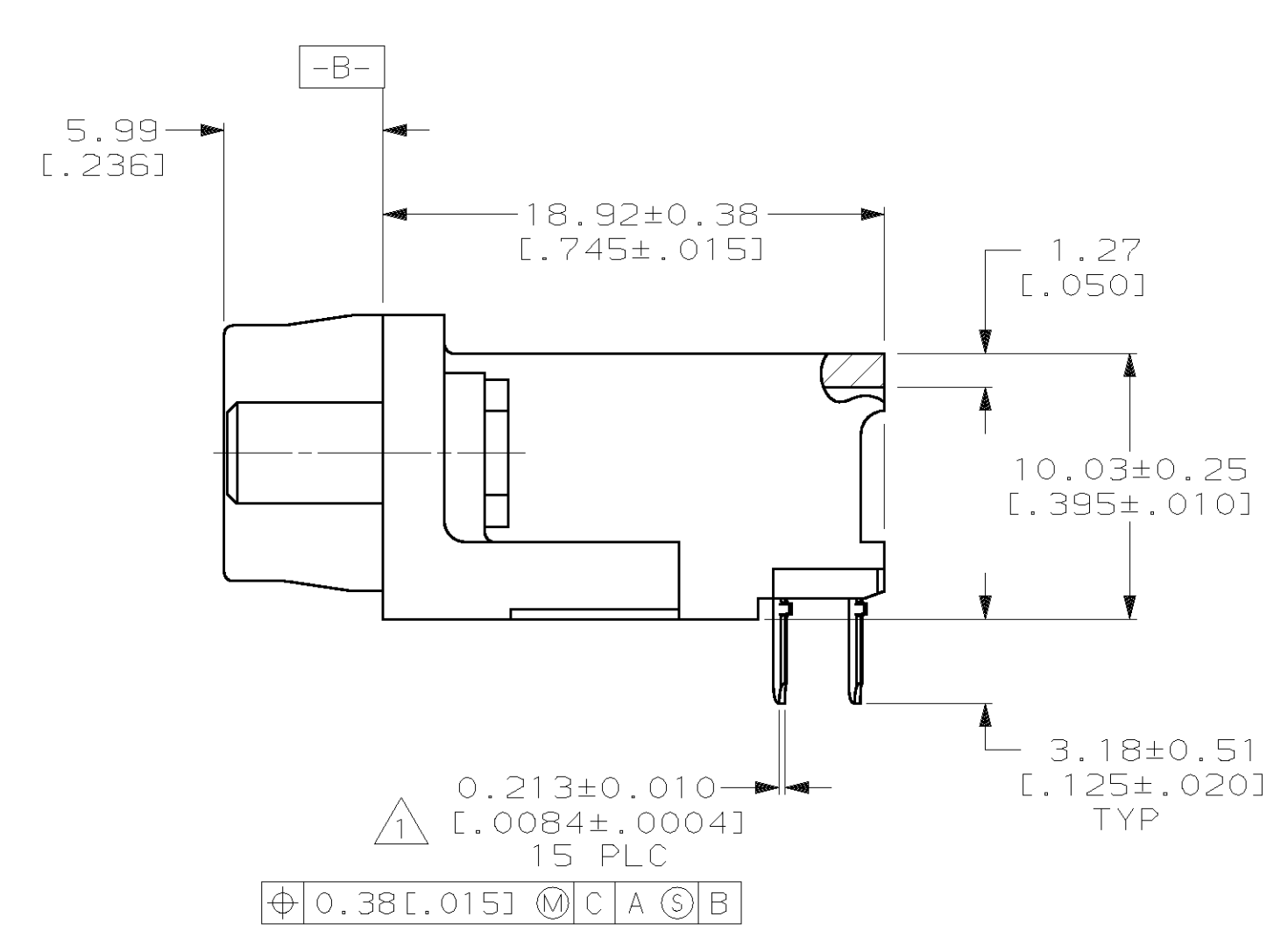
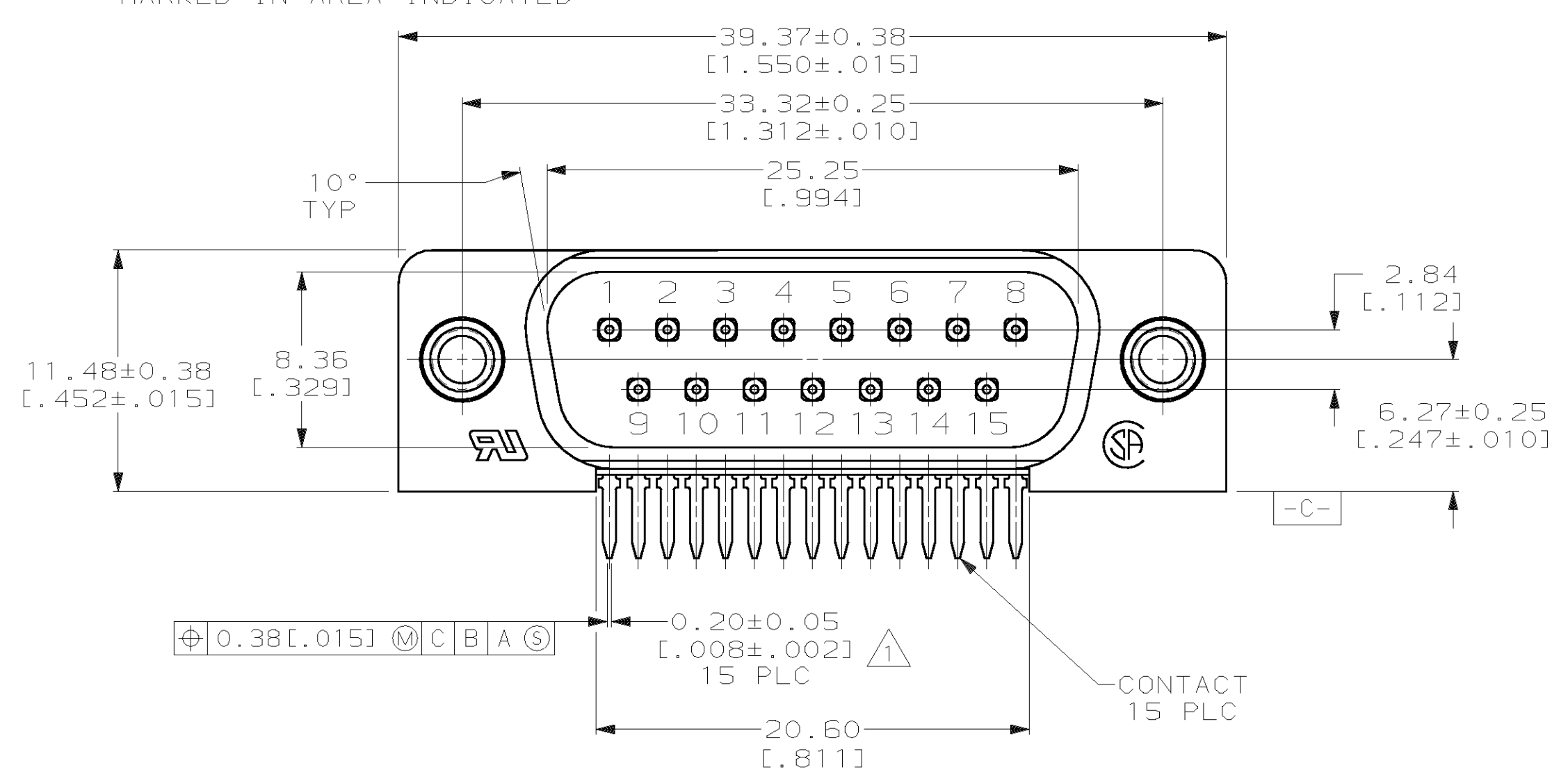
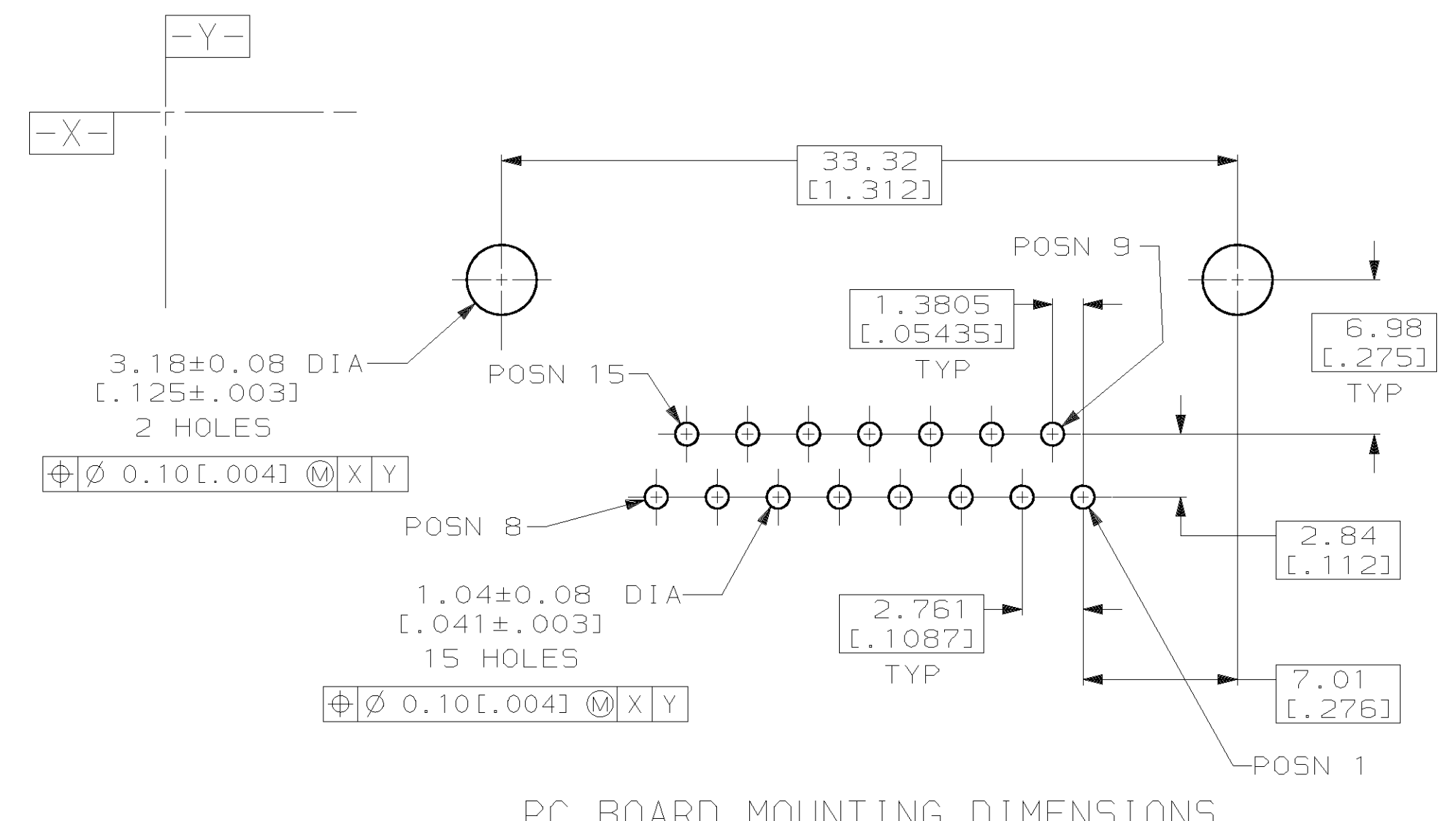
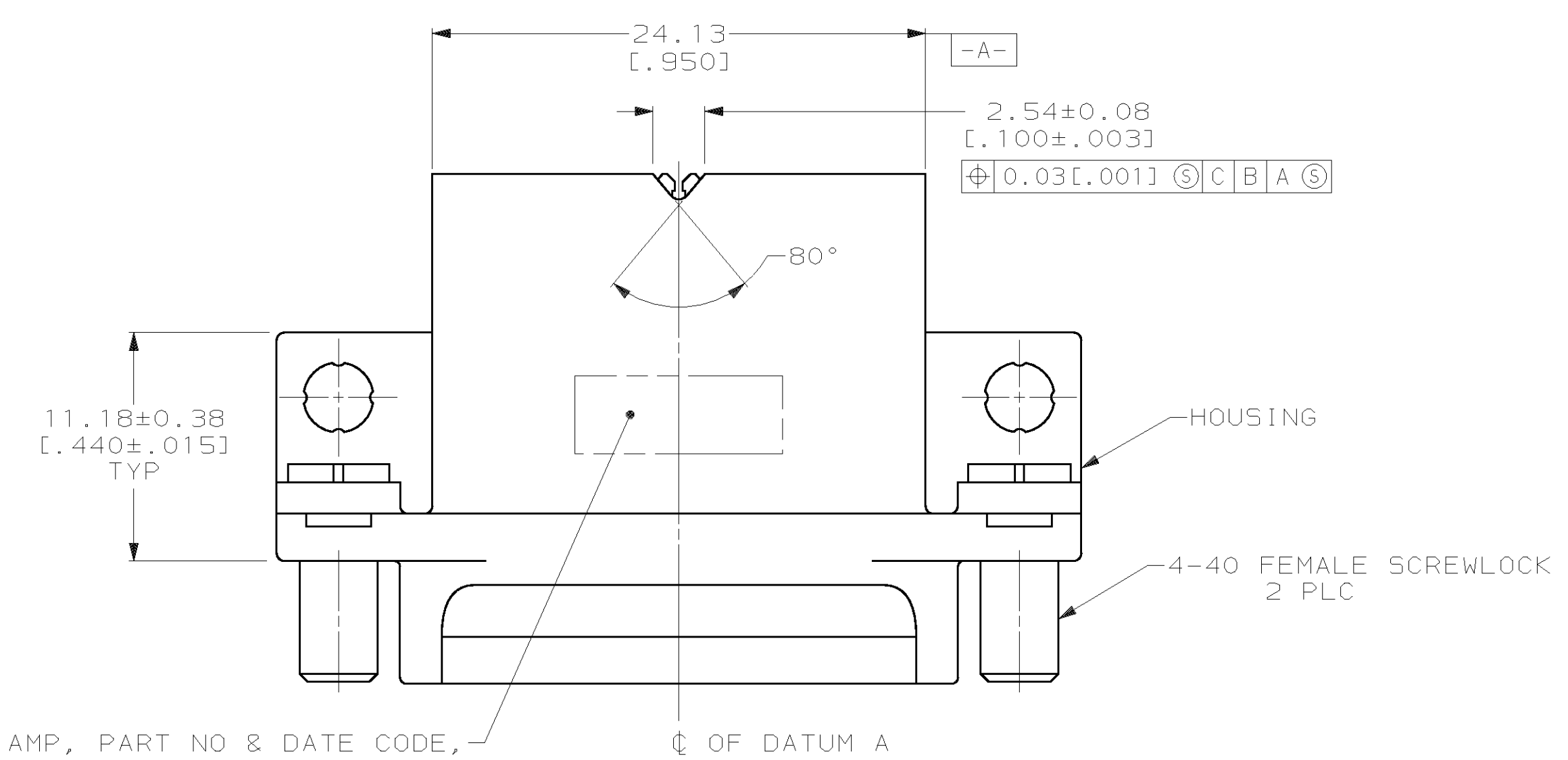


LOC	DIST	P	F	ZONE	LTR	DESCRIPTION	DATE	APPD
BD	77				B	REV & RDWN ECN BD3365 & BD3478	10/11/89	-
					C	REV PER ECN BD3848	04/19/90	PAK
					D	REV PER ECN BD4319	09/05/90	PAK
					E	REVISED PER ECN BD5477	01/28/92	CR
					F	OBS-3, SUPERSEDED-2 PER ECN BD6410	03/30/93	CR
					G	REV PER EC 0020-1053-95	05 JAN 96	RLT
					H	REV PER EC 0420-59-96	20 SEP 96	RT
					J	REV PER EC 0640-435-98	18 MAR 99	RT



- 1 POSITION TOLERANCE APPLIES AT TIP ONLY.
- 2 NYLON OR POLYESTER, UL94V-0, BLACK.
- 3 BRASS PER MIL-C-50
- 4 GOLD PLATING PER MIL-G-45204, NICKEL PLATING PER QQ-N-290, TIN PLATING PER MIL-T-10727.
- 5 GOLD PLATED FOR A LENGTH OF 3.81 [0.150] MIN FROM MATING END, 0.76µm [0.00030] MIN GOLD IN MATED AREA. 3.05µm [0.000120] MIN TIN-LEAD FOR A LENGTH OF 3.68 [0.145] MIN FROM OPPOSITE END, BOTH OVER 1.27µm [0.00050] MIN NICKEL.
- 6 GOLD FLASH FOR A LENGTH OF 3.81 [0.150] MIN FROM MATING END, 3.05 µm [0.000120] MIN TIN-LEAD FOR A LENGTH OF 3.68 [0.145] MIN FROM OPPOSITE END, BOTH OVER 1.27 µm [0.00050] MIN NICKEL.
- 7 0.25 µm [0.00010] MIN GOLD FOR A LENGTH OF 3.81 [0.150] MIN FROM MATING END, 3.05 µm [0.000120] MIN TIN-LEAD FOR A LENGTH OF 3.68 [0.145] MIN FROM OPPOSITE END, BOTH OVER 1.27 µm [0.00050] MIN NICKEL.

OBSOLETE	748952-3
SUPERSEDED BY 747468-5	748952-2
	748952-1

DO NOT SCALE PRINT. UNLESS SPECIFIED DIMENSIONS IN mm [INCHES] TOLERANCES ON: 2 PLC DEC ± 0.13 [0.005] 3 PLC DEC ± - ANGLES ± 2°	DR 10/11/89 S.WELDON CHK 1-3-90 R.STONE APPD 1-5-90 J.SWAIN APPD 1-8-90 C.RHODE	NAME PLUG ASSEMBLY, SIZE 2, 15 POSN, ALL PLASTIC, RIGHT ANGLE, .590 SERIES, AMPLIMITE® III
MATERIAL HOUSING: 2 CONTACTS: 3 SCREWLOCKS: ZINC	PRODUCT SPEC 108-1226	SIZE D
FINISH 4 CONTACTS: SEE TABLE SCREWLOCKS: CLEAR CHROMATE	APPLICATION SPEC 114-40027	CAGE CODE 00779
	WEIGHT	DRAWING NO 748952
		SHEET 1 OF 1