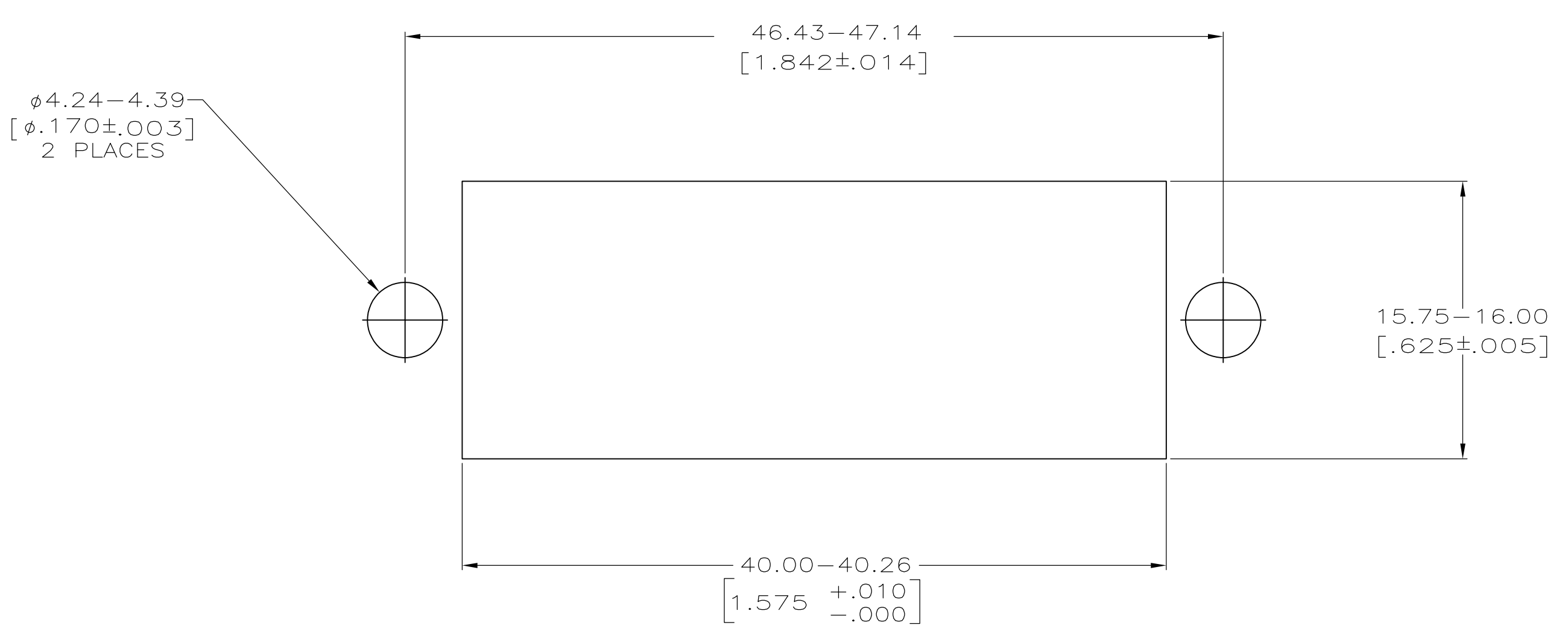
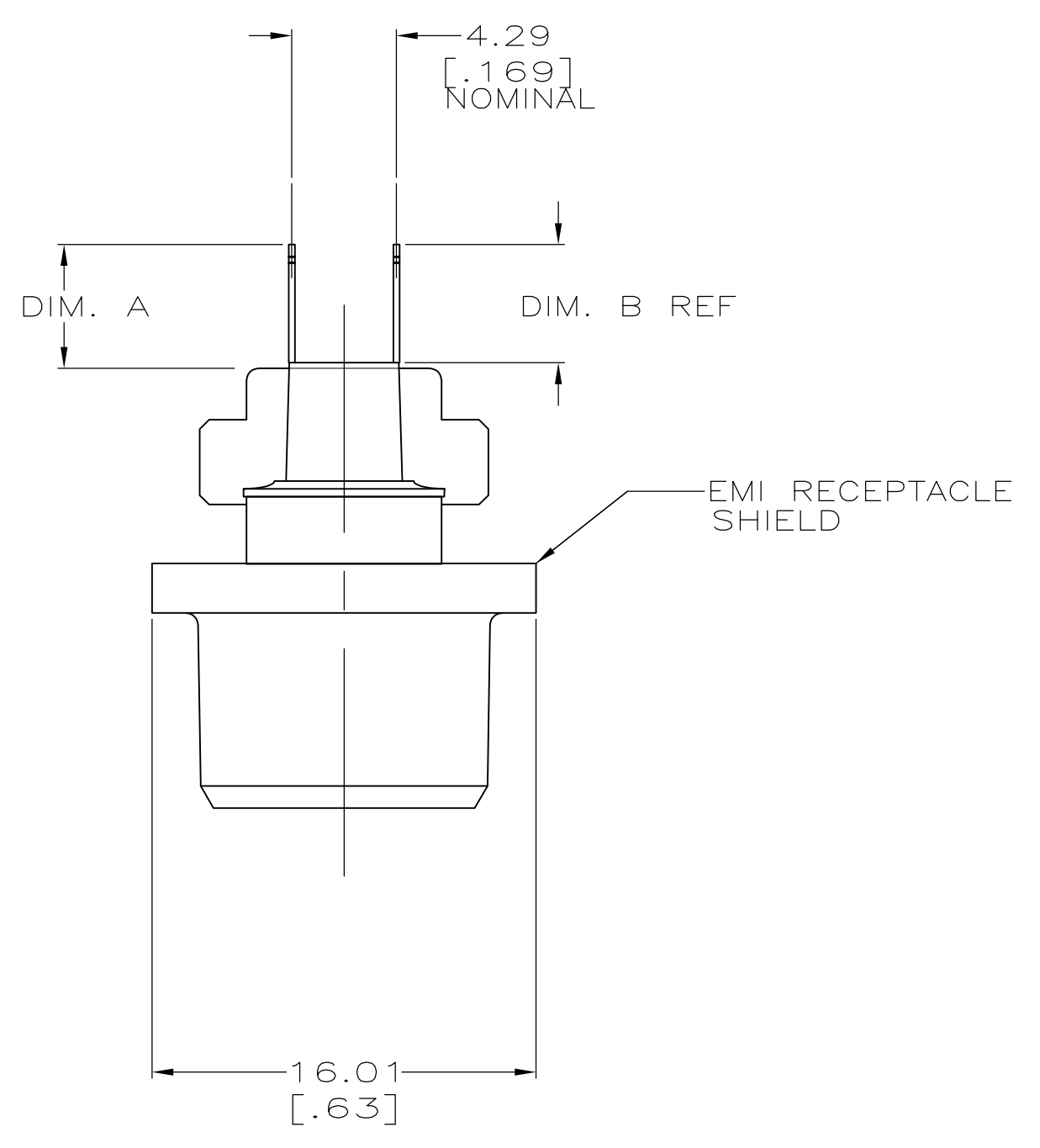
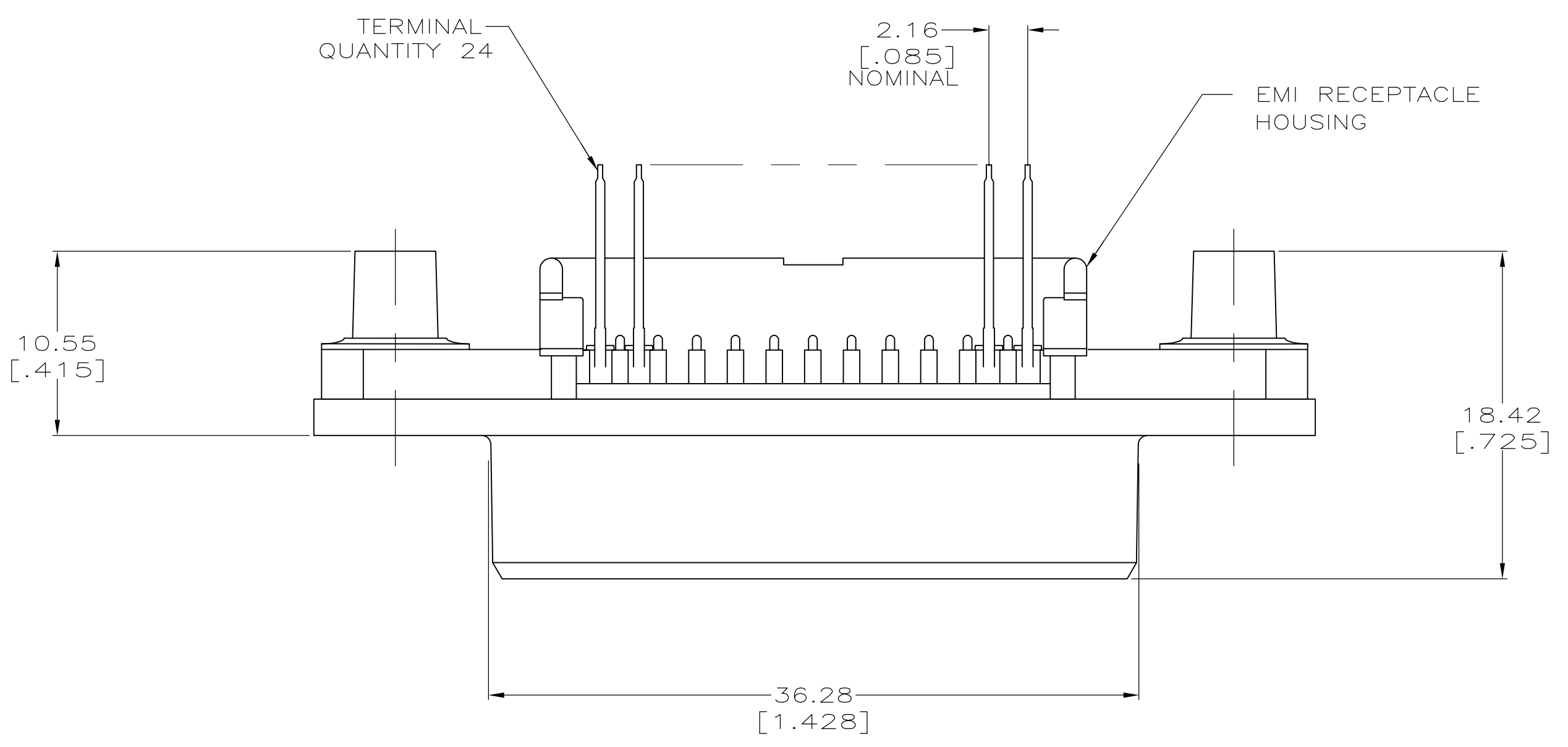
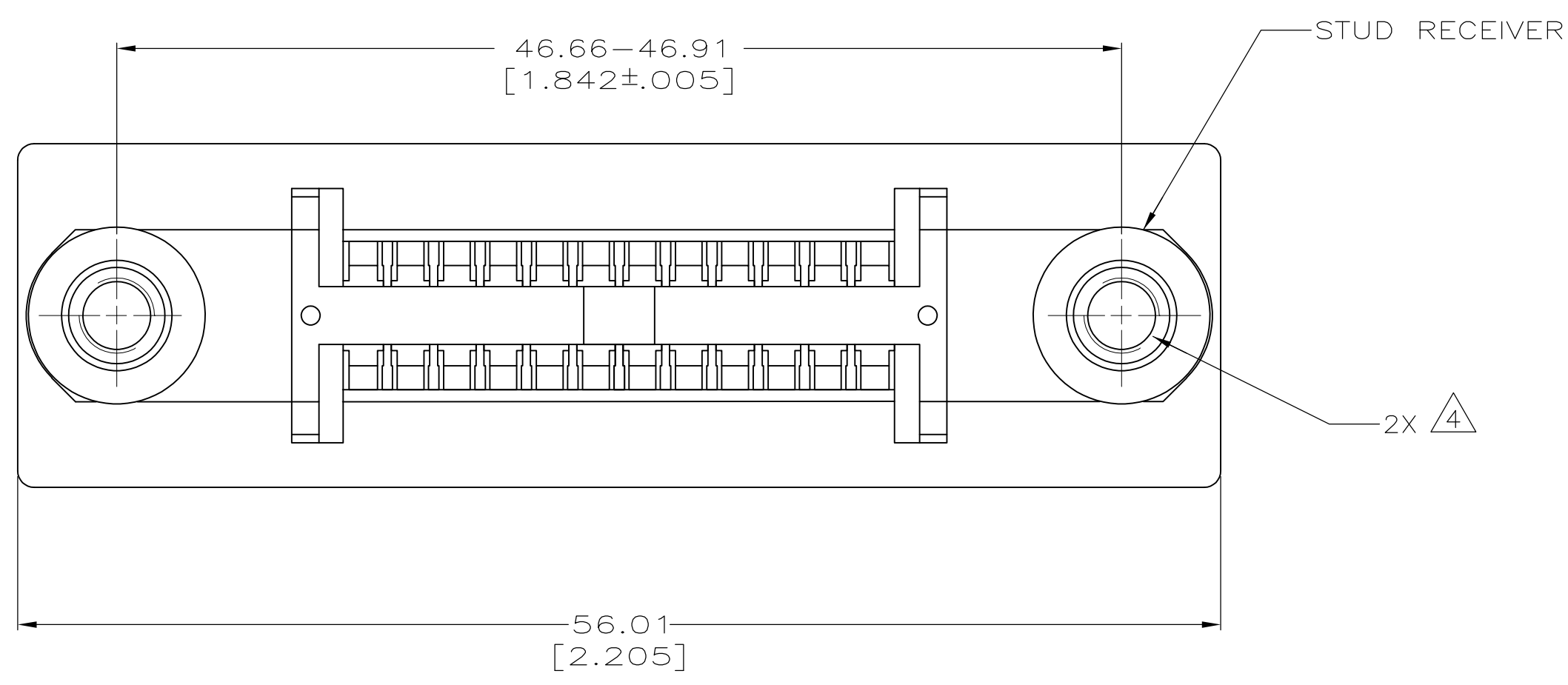


LOC		DIST		REVISIONS			
P	LTR	DESCRIPTION	DATE	OWN	APPD		
GP	00						
	L	REVISED PER ECO-08-007327	18APR08	BM	WM		
	L1	REV PER ECO-09-021510	12SEP09	KK	AEQ		



SUGGESTED REAR PANEL CUTOUT DIMENSIONS

- $\triangle 1$ DIMENSIONS ARE MAXIMUM UNLESS OTHERWISE SPECIFIED.
- 2. THE CONTACT SURFACES OF THE TERMINALS ARE COATED WITH LUBRICANT.
- $\triangle 3$ MATERIAL: HOUSING - POLYESTER, BLACK. TERMINAL - PHOS BRONZE PLATED WITH EITHER 0.76 μ m [.000030] MINIMUM GOLD PLATE OR GOLD FLASH OVER PALLADIUM NICKEL PLATE, 0.76 μ m [.000030] MIN TOTAL ON MATING SURFACE. 3.05 μ m [.000120] MINIMUM MATTE TIN-LEAD ON TAILS OVER 1.27 μ m [.000050] MINIMUM NICKEL UNDERPLATE OVER ENTIRE TERMINAL. STUD RECEIVER - STAINLESS STEEL. SHIELD - NICKEL PLATED ZINC DIE CASTING.
- $\triangle 4$ HOLES TO BE TAPPED AFTER PLATING.
- $\triangle 5$ OBSOLETE PARTS: OBSOLETE CIS STREAMLINING PER D.RENAUD/D.SINISI

		DIM. B	DIM. A	PART NUMBER
$\triangle 5$ OBSOLETE	4-40 UNC-2B	3.05 [.120]	3.81 [.150]	554501-3
SUPERSEDED	6-32 UNC-2B	4.70 [.185]	5.47 [.215]	554501-2
	6-32 UNC-2B	3.05 [.120]	3.81 [.150]	554501-1

THIS DRAWING IS A CONTROLLED DOCUMENT.

DIMENSIONS: mm(INCHES)		TOLERANCES UNLESS OTHERWISE SPECIFIED:		DRAWN: B. SIMPSON 11AUG94		CHK: C. WHITT 31OCT94		APVD: R. FLAHERTY 07NOV94		NAME: Tyco Electronics Corporation Harrisburg, Pa 17105-3608	
\oplus	0 PLC ± -	$\triangle 1$		PRODUCT SPEC							
\oplus	2 PLC ± -			APPLICATION SPEC							
\oplus	3 PLC ± -										
\oplus	4 PLC ± -										
\oplus	ANGLES ± -										
MATERIAL	FINISH	WEIGHT		SIZE	CAGE CODE	DRAWING NO	RESTRICTED TO				
$\triangle 3$	$\triangle 3$	-		A1	00779	C=554501					
CUSTOMER DRAWING				SCALE	4:1	SHEET	1	OF	1	REV	L1