

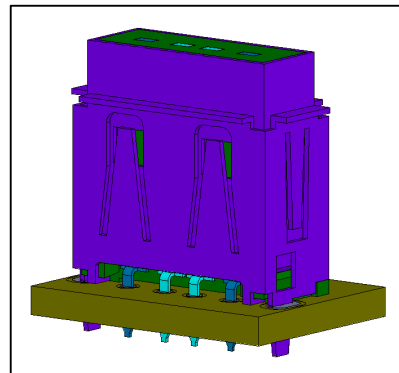


ELECTRICAL MODEL DOCUMENTATION

MODEL SUMMARY

S-parameter model of USB Type A through-hole mated receptacle. The model generated includes board effects.

Receptacle board: Finished-hole and solder pad diameter of 0.9mm and 1.3mm respectively with FR4 board thickness of 1.6mm.



APPLICABLE PART NUMBER:

1050570001

MODEL FILENAME: spm105057_revA_wp.s4p	
MODEL TYPE: SPM	STRUCTURE: Assembly
MODEL SOURCE: Simulation	VALIDATION: No
NUMBER OF PORTS: 4	MAXIMUM FREQUENCY: 5 GHz

DISCLAIMERS: Information contained in this document is simulated. Molex Incorporated does not guarantee the performance of the final product to the information provided in this document.

Molex does not represent, warrant or guarantee the accuracy of the information, expressly disclaims all warranties including the implied warranties of merchantability and fitness for particular purpose, and shall not be liable for any damages whatsoever arising from use of, or inability to use, the information contained in this document or accompanying electronic file.

The user is responsible for verifying the results of their use of this information, and assume all risk of doing or not doing so. Use of the electronic file evidences user's agreement to the above terms.

Any charts or schematics in this report are only for general reference. The schematic allows the user to configure a similar simulation circuit in any simulation tool. The resulting charts provided allow a comparison of results to the Molex simulation using the stated schematic.

REVISION: A	ECN INFORMATION: EC No: S2010-0929 DATE: 2010/05/10	TITLE: USB Type A Through-Hole Mated Receptacle 105057-0001 Mated MOLEX CONFIDENTIAL	SHEET No. 1 of 5
DOCUMENT NUMBER: EE-105057-001		CREATED / REVISED BY: CMWONG 2010/05/10	CHECKED BY: WTCHUA 2010/05/10
		APPROVED BY: ACHEAH 2010/05/12	
<small>TEMPLATE FILENAME: SPM[SIZE_A](V.1).DOC</small>			



ELECTRICAL MODEL DOCUMENTATION

CONDUCTOR TO PORT MAPPING TABLE

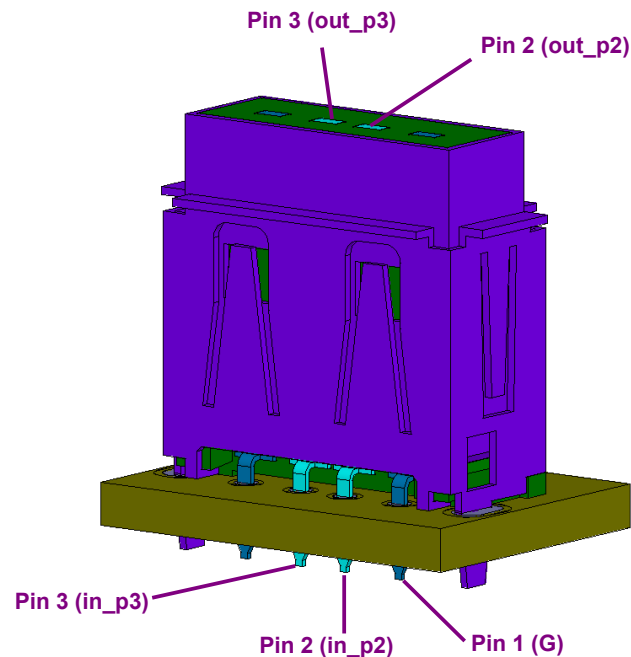
SIGNAL PATHS

Conductor	Ports
P2	in_p2, out_p2
P3	in_p3, out_p3

PRE-DEFINED RETURN PATHS

Conductor	Label
P1	G
P4	G

PART ILLUSTRATIONS



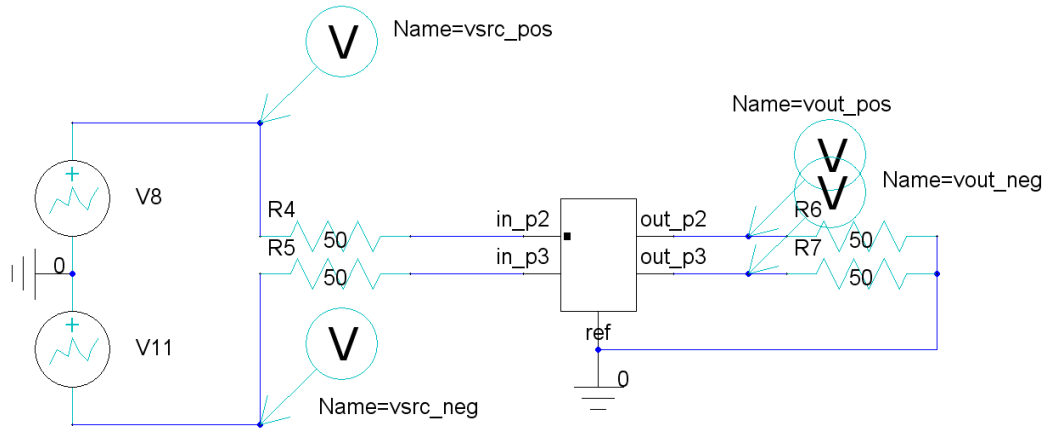
REVISION: A	ECN INFORMATION: EC No: S2010-0929 DATE: 2010/05/10	TITLE: USB Type A Through-Hole Mated Receptacle 105057-0001 Mated MOLEX CONFIDENTIAL	SHEET No. 2 of 5
DOCUMENT NUMBER: EE-105057-001	CREATED / REVISED BY: CMWONG 2010/05/10	CHECKED BY: WTCHUA 2010/05/10	APPROVED BY: ACHEAH 2010/05/12
<small>TEMPLATE FILENAME: SPM[SIZE_A](V.1).DOC</small>			



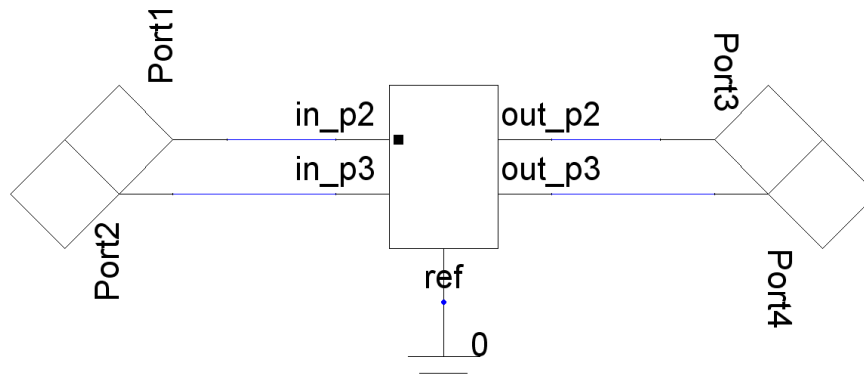
ELECTRICAL MODEL DOCUMENTATION

REFERENCE SCHEMATICS

Time Domain Schematic



Frequency Domain Schematic



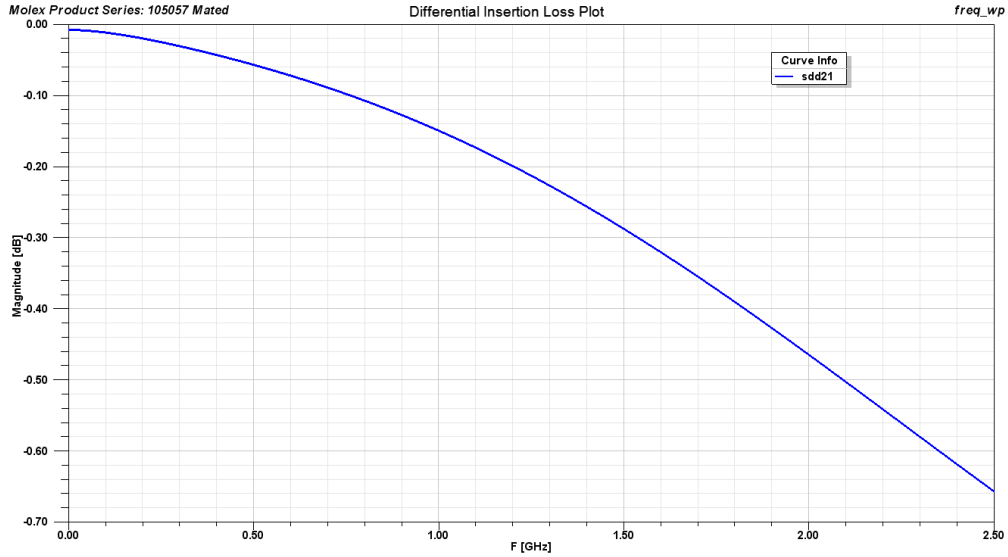
REVISION: A	ECN INFORMATION: EC No: S2010-0929 DATE: 2010/05/10	TITLE: USB Type A Through-Hole Mated Receptacle 105057-0001 Mated MOLEX CONFIDENTIAL	SHEET No. 3 of 5
DOCUMENT NUMBER: EE-105057-001	CREATED / REVISED BY: CMWONG 2010/05/10	CHECKED BY: WTCHUA 2010/05/10	APPROVED BY: ACHEAH 2010/05/12
<small>TEMPLATE FILENAME: SPM[SIZE_A](V.1).DOC</small>			



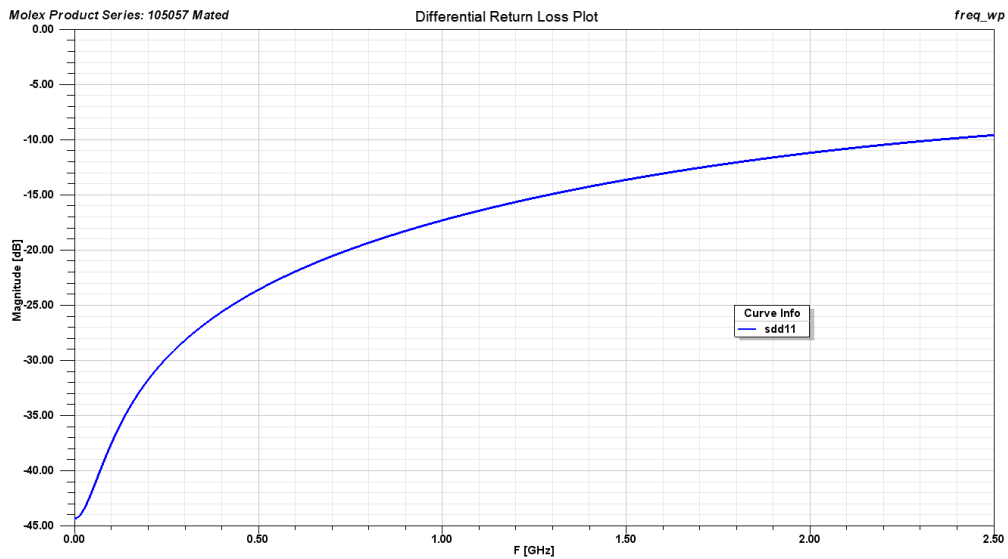
ELECTRICAL MODEL DOCUMENTATION

REFERENCE RESULTS

Insertion Loss



Return Loss



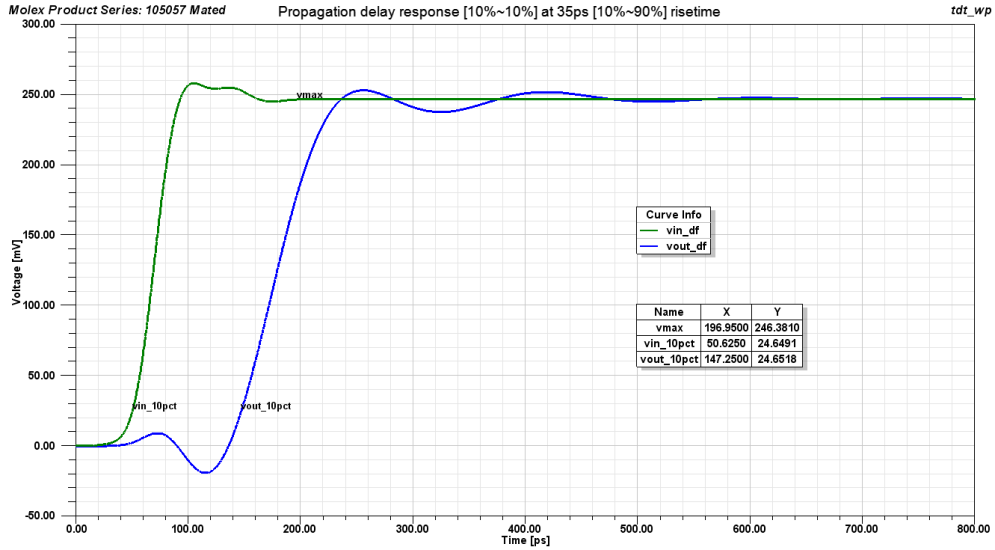
REVISION: A	ECN INFORMATION: EC No: S2010-0929 DATE: 2010/05/10	TITLE: USB Type A Through-Hole Mated Receptacle 105057-0001 Mated MOLEX CONFIDENTIAL	SHEET No. 4 of 5
DOCUMENT NUMBER: EE-105057-001	CREATED / REVISED BY: CMWONG 2010/05/10	CHECKED BY: WTCHUA 2010/05/10	APPROVED BY: ACHEAH 2010/05/12
TEMPLATE FILENAME: SPM[SIZE_A](V.1).DOC			



ELECTRICAL MODEL DOCUMENTATION

REFERENCE RESULTS

Time Domain Response



REVISION: A	ECN INFORMATION: EC No: S2010-0929 DATE: 2010/05/10	TITLE: USB Type A Through-Hole Mated Receptacle 105057-0001 Mated MOLEX CONFIDENTIAL	SHEET No. 5 of 5
DOCUMENT NUMBER: EE-105057-001	CREATED / REVISED BY: CMWONG 2010/05/10	CHECKED BY: WTCHUA 2010/05/10	APPROVED BY: ACHEAH 2010/05/12
TEMPLATE FILENAME: SPM[SIZE_A](V.1).DOC			