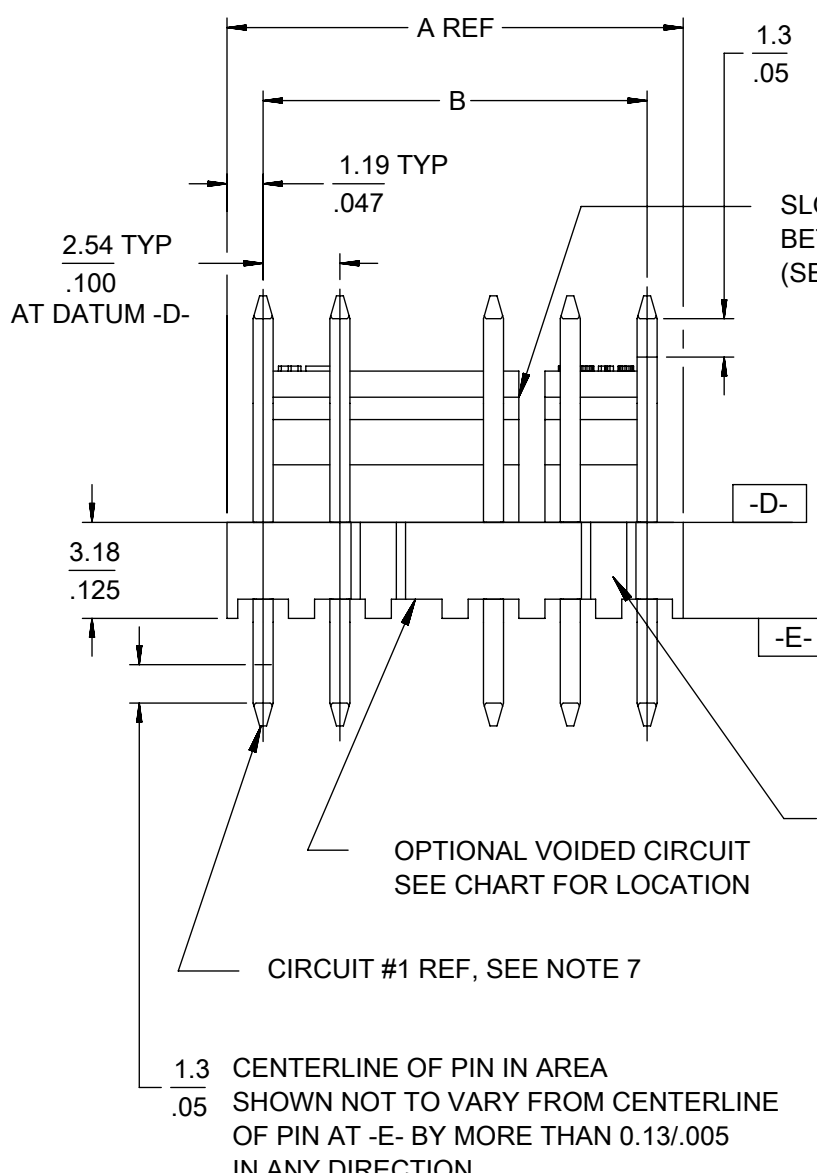


CKT	A	B	SLOTS LOCATION
02	$\frac{4.93}{.194}$	$\frac{2.54 \pm 0.05}{.100 \pm .002}$	NONE
03	$\frac{7.47}{.294}$	$\frac{5.08 \pm 0.10}{.200 \pm .004}$	NONE
04	$\frac{10.01}{.394}$	$\frac{7.62 \pm 0.15}{.300 \pm .006}$	NONE
05	$\frac{12.55}{.494}$	$\frac{10.16 \pm 0.15}{.400 \pm .006}$	NONE
06	$\frac{15.09}{.594}$	$\frac{12.70 \pm 0.18}{.500 \pm .007}$	4, 5
07	$\frac{17.63}{.694}$	$\frac{15.24 \pm 0.18}{.600 \pm .007}$	4, 5
08	$\frac{20.17}{.794}$	$\frac{17.78 \pm 0.20}{.700 \pm .008}$	4, 5
09	$\frac{22.71}{.894}$	$\frac{20.32 \pm 0.20}{.800 \pm .008}$	4, 5
10	$\frac{25.25}{.994}$	$\frac{22.86 \pm 0.23}{.900 \pm .009}$	4, 5
11	$\frac{27.79}{1.094}$	$\frac{25.40 \pm 0.23}{1.000 \pm .009}$	4, 5 8, 9
12	$\frac{30.33}{1.194}$	$\frac{27.94 \pm 0.25}{1.100 \pm .010}$	4, 5 8, 9

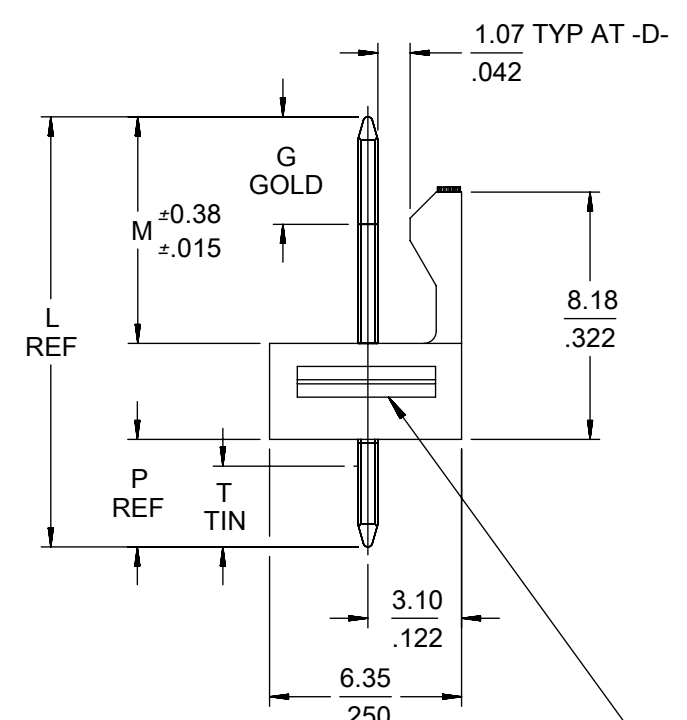


1.3
.05 CENTERLINE OF PIN IN AREA SHOWN NOT TO VARY FROM CENTERLINE OF PIN AT -D- BY MORE THAN 0.20/.008 IN ANY DIRECTION.

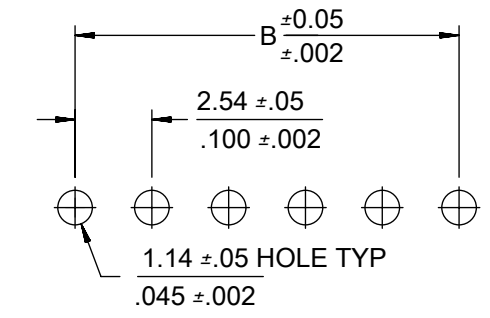
SLOTS LOCATED BETWEEN CIRCUITS (SEE CHART)

RECESSED GATE MAY BE PRESENT ON 2-12 CIRCUIT PARTS LOCATION VARIES

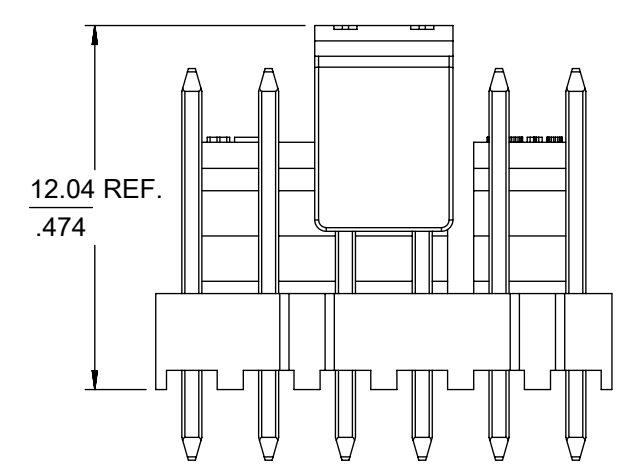
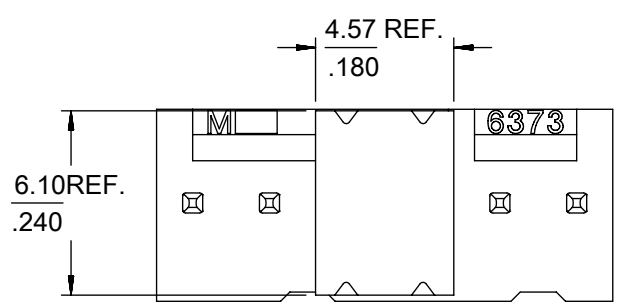
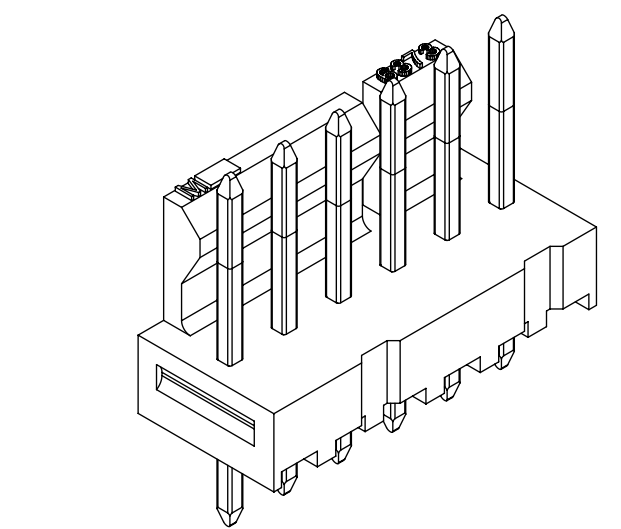
1.3
.05 CENTERLINE OF PIN IN AREA SHOWN NOT TO VARY FROM CENTERLINE OF PIN AT -E- BY MORE THAN 0.13/.005 IN ANY DIRECTION.



GROOVE MAY BE PRESENT ON 2-6 CIRCUIT PARTS (BOTH SIDES).



PCB LAYOUT: COMPONENT SIDE



OPTIONAL PICK AND PLACE CAP FOR TAPE AND REEL PACKAGING

- NOTES:
- MATERIAL: HOUSING: NYLON, UL 94V-1, COLOR: BLACK
PINS: BRASS
 - FINISH:
(197) = OVERALL REFLOWED MATTE TIN: 0.00152/.000060 MIN OVER 0.00127/.000050 MIN NICKEL.
(208) = SELECT GOLD: 0.00038/.000015 MIN, SELECT MATTE TIN: 0.00254/.000100 MIN, BOTH OVER 0.00127/.000050 MIN NICKEL.
(228) = SELECT GOLD: 0.00076/.000030 MIN, SELECT MATTE TIN: 0.00254/.000100 MIN, BOTH OVER 0.00127/.000050 MIN NICKEL.
 - PRODUCT SPECIFICATION AND PROCESS PARAMETERS: PS-171856-0001, PS-171856-0002
 - PACKAGING INFORMATION: SEE CHART.
 - MATES WITH: 4455, 2695, 6471 SERIES.
 - PARTS ARE STACKABLE END TO END ON 2.54/.100 CENTERS.
 - CIRCUIT ONE DESIGNATION IS USED TO DEFINE VOID LOCATION. CIRCUIT ONE MAY OR MAY NOT LINE UP WITH CIRCUIT ONE ON THE MATING HOUSING.
 - PIN PUSHOUT FORCE: 2 LBS MIN.
 - THIS PART CONFORMS TO CLASS B REQUIREMENTS OF COSMETIC SPECIFICATION PS-45499-002.

RELEASE STATUS: MODEL: EM-6373-6

QUALITY SYMBOLS FA = 0 FE = 0 FF = 0 G = 0 H = 0 I = 0 J = 0 K = 0 L = 0	THIS DRAWING CONTAINS INFORMATION THAT IS PROPRIETARY TO MOLEX ELECTRONIC TECHNOLOGIES, LLC AND SHOULD NOT BE USED WITHOUT WRITTEN PERMISSION				
	ADD PART NUMBERS EC NO: 108668 DRWN: MKIPPER CHKD: FSMITH APPR: FSMITH	GENERAL TOLERANCES (UNLESS SPECIFIED)		DIMENSION UNITS	SCALE
		MM	INCH	MM/IN	4:1
		4 PLACES ±	±	DRWN BY	DATE
B REV	3 PLACES ±	± 0.015	MKIPPER	2012/11/09	
	2 PLACES ±	± 0.25 ± 0.01	CHK'D BY	DATE	
	1 PLACES ±	± 0.38 ±	SSOUSEK	2012/12/04	
B REV	0 PLACES ±	±	APPR BY	DATE	
	ANGULAR TOL ±		FSMITH	2013/06/11	
	DRAFT WHERE APPLICABLE MUST REMAIN WITHIN DIMENSIONS		DRAWING SIZE	THIRD ANGLE PROJECTION	
		B			
RELEASE STATUS		RELEASE DATE			
MODEL: EM-6373-6		KK RPC .100 HEADER ASSEMBLY FRICTION LOCK SOLID BODY			
PRODUCT CUSTOMER DRAWING					
SERIES	MATERIAL NUMBER	CUSTOMER			
171856	SEE CHART	GENERAL MARKET			
DOCUMENT NUMBER		DOC TYPE	DOC PART	SHEET NUMBER	
SD-171856-0001		PSD	000	1 OF 1	

GROUP:	171856-0002/-0012			
PLATING:	197			
PIN LENGTH: (L)	12.95 / .510			
MATING: (M)	7.44 / .293			
DIM. G:	N/A			
PC TAIL: (P)	2.34 / .092			
DIM T:	OVERALL			
PACKAGING:	PK-6373-001 BULK			
CKTS	MATERIAL NUMBER	CKTS	MATERIAL NUMBER	VOID CKT
2	171856-0002			
3	171856-0003			
4	171856-0004			
5	171856-0005			
6	171856-0006			
7	171856-0007			
8	171856-0008			
9	171856-0009			
10	171856-0010			
11	171856-0011			
12	171856-0012			

GROUP:	171856-1002/-1012			
PLATING:	208			
PIN LENGTH: (L)	12.95 / .510			
MATING: (M)	7.44 / .293			
DIM. G:	3.56 / .140			
PC TAIL: (P)	2.34 / .092			
DIM T:	3.43 / .135			
PACKAGING:	PK-6373-001 BULK			
CKTS	MATERIAL NUMBER	CKTS	MATERIAL NUMBER	VOID CKT
2	171856-1002			
3	171856-1003			
4	171856-1004			
5	171856-1005			
6	171856-1006			
7	171856-1007			
8	171856-1008			
9	171856-1009			
10	171856-1010			
11	171856-1011			
12	171856-1012			

GROUP:	171856-2002/-2012			
PLATING:	228			
PIN LENGTH: (L)	12.95 / .510			
MATING: (M)	7.44 / .293			
DIM. G:	3.56 / .140			
PC TAIL: (P)	2.34 / .092			
DIM T:	3.43 / .135			
PACKAGING:	PK-6373-001 BULK			
CKTS	MATERIAL NUMBER	CKTS	MATERIAL NUMBER	VOID CKT
2	171856-2002			
3	171856-2003			
4	171856-2004			
5	171856-2005			
6	171856-2006			
7	171856-2007			
8	171856-2008			
9	171856-2009			
10	171856-2010			
11	171856-2011			
12	171856-2012			

REV: B	ECM INFORMATION: ECM No.: 108668 DATE: 10/31/2016	TITLE: KK RPC 100 HEADER ASSEMBLY FRICTION LOCK SOLID BODY	SHEET No. - 2 -
DOCUMENT NUMBER: SD - 171856 - 0001		CREATED / REVISED BY: MKIPPER	CHECKED BY: JBELL
		APPROVED BY: FSMITH	

GROUP:	171856-0102/-0112			
PLATING:	197			
PIN LENGTH: (L)	14.22 / .560			
MATING: (M)	7.49 / .295			
DIM. G:	N/A			
PC TAIL: (P)	3.56 / .140			
DIM T:	OVERALL			
PACKAGING:	PK-6373-001 BULK			
CKTS	MATERIAL NUMBER	CKTS	MATERIAL NUMBER	VOID CKT
2	171856-0102			
3	171856-0103			
4	171856-0104			
5	171856-0105			
6	171856-0106			
7	171856-0107			
8	171856-0108			
9	171856-0109			
10	171856-0110			
11	171856-0111			
12	171856-0112			

GROUP:	171856-1102/-1112			
PLATING:	208			
PIN LENGTH: (L)	14.22 / .560			
MATING: (M)	7.49 / .295			
DIM. G:	3.56 / .140			
PC TAIL: (P)	3.56 / .140			
DIM T:	3.43 / .135			
PACKAGING:	PK-6373-001 BULK			
CKTS	MATERIAL NUMBER	CKTS	MATERIAL NUMBER	VOID CKT
2	171856-1102			
3	171856-1103			
4	171856-1104			
5	171856-1105			
6	171856-1106			
7	171856-1107			
8	171856-1108			
9	171856-1109			
10	171856-1110			
11	171856-1111			
12	171856-1112			

GROUP:				
PLATING:				
PIN LENGTH: (L)				
MATING: (M)				
DIM. G:				
PC TAIL: (P)				
DIM T:				
PACKAGING:				
CKTS	MATERIAL NUMBER	CKTS	MATERIAL NUMBER	VOID CKT

REV: B	<u>ECM INFORMATION:</u> ECM No.: 108668 DATE: 10/31/2016	<u>TITLE:</u> <p style="text-align: center;">KK RPC 100 HEADER ASSEMBLY FRICTION LOCK SOLID BODY</p>	<u>SHEET No.</u> <p style="text-align: center;">- 3 -</p>
<u>DOCUMENT NUMBER:</u> SD - 171856 - 0001		<u>CREATED / REVISED BY:</u> MKIPPER	<u>CHECKED BY:</u> JBELL
		<u>APPROVED BY:</u> FSMITH	
TEMPLATE FILENAME: PRODUCT_SPEC\SIZE_A\ (V.1).DOC			

GROUP:	171856-3002/-3012			
PLATING:	197			
PIN LENGTH: (L)	12.95 / .510			
MATING: (M)	7.44 / .293			
DIM. G:	N/A			
PC TAIL: (P)	2.34 / .092			
DIM T:	OVERALL			
PACKAGING:	PK-171856-0001 TAPE AND REEL W/CAP			
CKTS	MATERIAL NUMBER	CKTS	MATERIAL NUMBER	VOID CKT
2	171856-3002			
3	171856-3003			
4	171856-3004			
5	171856-3005			
6	171856-3006			
7	171856-3007			
8	171856-3008			
9	171856-3009			
10	171856-3010			
11	171856-3011			
12	171856-3012			

GROUP:	171856-4002/-4012			
PLATING:	208			
PIN LENGTH: (L)	12.95 / .510			
MATING: (M)	7.44 / .293			
DIM. G:	3.56 / .140			
PC TAIL: (P)	2.34 / .092			
DIM T:	3.43 / .135			
PACKAGING:	PK-171856-0001 TAPE AND REEL W/CAP			
CKTS	MATERIAL NUMBER	CKTS	MATERIAL NUMBER	VOID CKT
2	171856-4002			
3	171856-4003			
4	171856-4004			
5	171856-4005			
6	171856-4006			
7	171856-4007			
8	171856-4008			
9	171856-4009			
10	171856-4010			
11	171856-4011			
12	171856-4012			

GROUP:				
PLATING:				
PIN LENGTH: (L)				
MATING: (M)				
DIM. G:				
PC TAIL: (P)				
DIM T:				
PACKAGING:				
CKTS	MATERIAL NUMBER	CKTS	MATERIAL NUMBER	VOID CKT

REV:	<u>ECM INFORMATION:</u>	<u>TITLE:</u>	<u>SHEET No.</u>
B	ECM No.: 108668	KK RPC 100 HEADER ASSEMBLY FRICTION LOCK SOLID BODY	- 4 -
	DATE: 10/31/2016		
<u>DOCUMENT NUMBER:</u>		<u>CREATED / REVISED BY:</u>	<u>CHECKED BY:</u>
SD - 171856 - 0001		MKIPPER	JBELL
		<u>APPROVED BY:</u>	
		FSMITH	

GROUP:	171856-9999			
PLATING:	197			
PIN LENGTH: (L)	12.95 / .510			
MATING: (M)	7.44 / .293			
DIM. G:	N/A			
PC TAIL: (P)	2.34 / .092			
DIM T:	OVERALL			
PACKAGING:	PK-44743-001 TUBE			
CKTS	MATERIAL NUMBER	CKTS	MATERIAL NUMBER	VOID CKT
		10	171856-9999	2,3,5,6, 8,9

GROUP:	171856-9998			
PLATING:	197			
PIN LENGTH: (L)	12.19 / .480			
MATING: (M)	7.42 / .292			
DIM. G:	N/A			
PC TAIL: (P)	1.60 / .063			
DIM T:	OVERALL			
PACKAGING:	PK-6373-001 BULK			
CKTS	MATERIAL NUMBER	CKTS	MATERIAL NUMBER	VOID CKT
2	171856-9998			

GROUP:				
PLATING:				
PIN LENGTH: (L)				
MATING: (M)				
DIM. G:				
PC TAIL: (P)				
DIM T:				
PACKAGING:				
CKTS	MATERIAL NUMBER	CKTS	MATERIAL NUMBER	VOID CKT

REV: B	<u>ECM INFORMATION:</u> ECM No.: 108668 DATE: 10/31/2016	<u>TITLE:</u> KK RPC 100 HEADER ASSEMBLY FRICITION LOCK SOLID BODY	<u>SHEET No.</u> - 5 -
<u>DOCUMENT NUMBER:</u> SD - 171856 - 0001		<u>CREATED / REVISED BY:</u> MKIPPER	<u>CHECKED BY:</u> JBELL
		<u>APPROVED BY:</u> FSMITH	