

5

4

3

2

1

受控 CONTROLLED DOCUMENT

|           |              |           |    |                  |          |
|-----------|--------------|-----------|----|------------------|----------|
| 编号<br>P/N | 25-7350-CUST | 版本<br>Rev | 01 | 日期<br>Rel'd Date | Apr29,09 |
|-----------|--------------|-----------|----|------------------|----------|

|                             |                  |     |                        |
|-----------------------------|------------------|-----|------------------------|
| DRAWING NO.<br>25-7350-CUST |                  |     |                        |
| REVISIONS                   |                  |     |                        |
| 01                          | OFFICIAL RELEASE |     |                        |
|                             | 03-05-09         | Y U | Y U T H<br>Thomas Chow |

Description: SO-239 UHF Square Flange Mount  
 Part No: 25-7350  
 Application: PCB Mount  
 Crimp Tool: N/A  
 Impedance: N/A  
 Frequency Range: 0-500 MHz  
 Material: Body Zinc Nickel plated  
 Contact Bronze Nickel plated  
 Insulator Delrin  
 RoHS Compliance: Yes  
 Technical Detail: Refer to Emerson Document P/N 25-0001



D

D

C

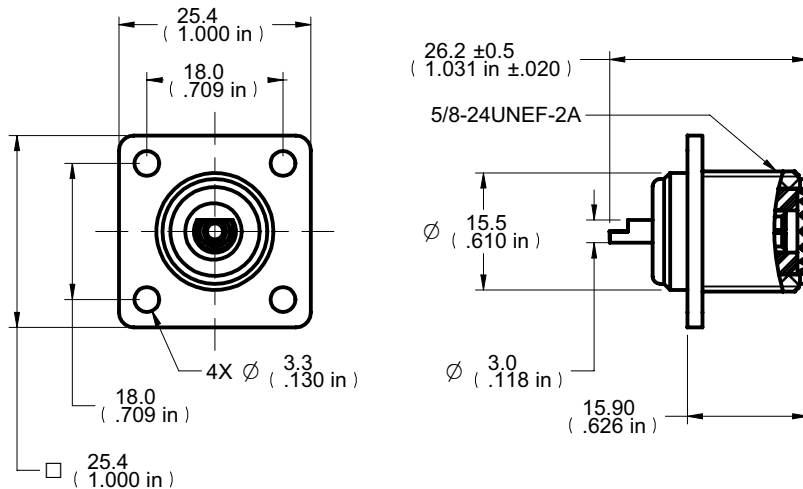
C

B

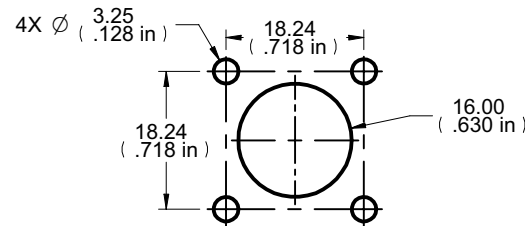
B

A

A



**DIM OUTLINE**



**MOUNTING HOLE LAYOUT**

CUSTOMER COPY

|                                      |        |                        |  |                  |  |
|--------------------------------------|--------|------------------------|--|------------------|--|
| TOLERANCE UNLESS OTHERWISE SPECIFIED |        | DRAWN BY<br>BETTY.YU   |  | DATE<br>03-05-09 |  |
| DECIMALS                             | mm     | CHECKED BY<br>BETTY.YU |  | DATE<br>03-05-09 |  |
| X                                    | ± 0.5  | APPROVED BY<br>THOMAS  |  | DATE<br>03-05-09 |  |
| X.X                                  | ± 0.3  | U/M                    |  | mm               |  |
| X.XX                                 | ± 0.1  | U/M                    |  | mm               |  |
| ANGLES                               | ± 0.5° | U/M                    |  | mm               |  |



TITLE  
**SO-239 UHF SQUARE FLANGE MOUNT**

THIS DRAWING WAS PRODUCED BY COMPUTER,  
 DO NOT SCALE DRAWING OR UPDATE MANUALLY.

|                 |                             |           |
|-----------------|-----------------------------|-----------|
| SHEET<br>1 OF 1 | DRAWING NO.<br>25-7350-CUST | SIZE<br>A |
|-----------------|-----------------------------|-----------|

5

4

3

2

1