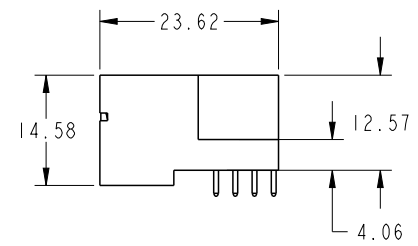
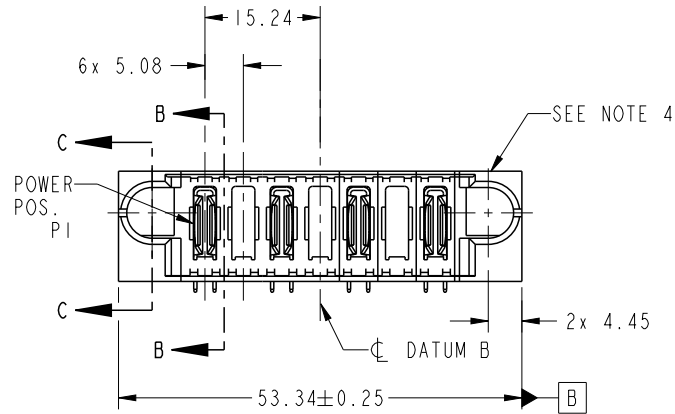


PRODUCT NO. 51939-862-- NOTE 3	POWER							E2
	E1	P1	P2	P3	P4	P5	P6	
	PA	X	PA	X	PA	X	PA	



CODE	DIM "M" MATING LENGTH	CONTACT TYPE
PA	[N/A]	POWER
X	OMITTED	OMITTED

spec ref	*	dr	Luo Weller	2014/04/18	projection	MM	size	A4	scale	1:1		
tolerance std	TOLERANCES UNLESS OTHERWISE SPECIFIED	eng	Luo Weller	2014/05/03			ecn no	-				
SEE NOTE		chr	-	-				product family	PwrBlade	rel level	Released	
surface	linear	0.X	±0.5		title	7DCP	dwg no	51939-862	rev	A		
		0.XX	±0.25							cat. no.	-	Product - Customer Drw
	0.XXX	±0.1	www.fci.com									
	angular	0°	±2°									

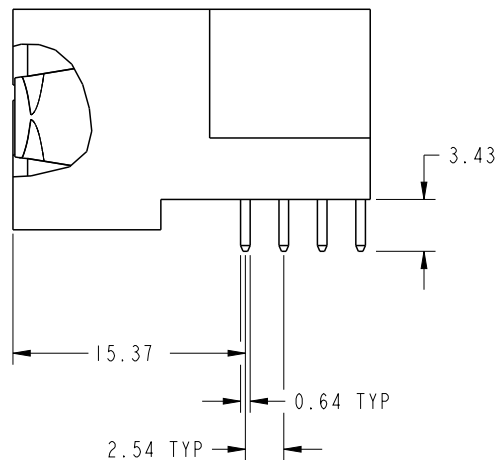
PrdrE File - REV C - 2009-06-09



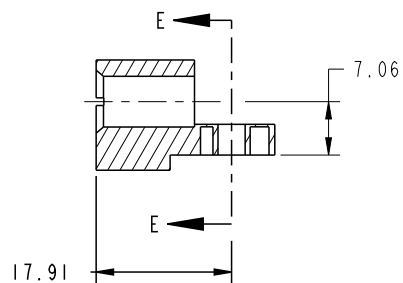
Copyright FCI.

PRODUCT NUMBER

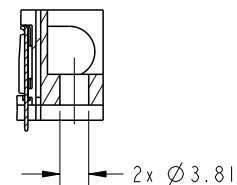
51939-862__
NOTE: 3



BROKEN-OUT SECTION B-B
SCALE 2:1



SECTION C-C

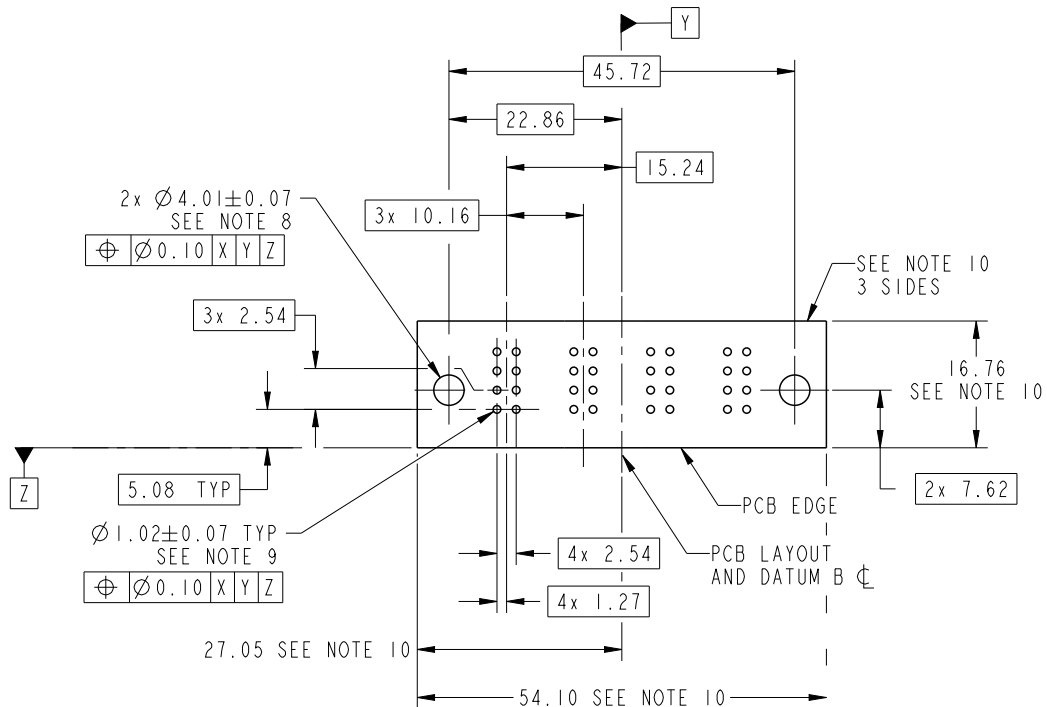


PARTIAL SECTION E-E

dr	Luo Weller	2014/04/18	projection 	MM ←→	size	A4	scale	1:1
eng	Luo Weller	2014/05/03			ecn no	-		
chr	-	-			rel level	Released		
appr	Pei-Ming Zheng	2014/05/03	product family	PwrBlade				
	title	7DCP RIGHT ANGLE SOLDER HEADER		dwg no	51939-862		rev	A
www.fci.com	cat. no.	-	Product - Customer Drw		sheet 2 of 4			

PRODUCT NUMBER

51939-862__
NOTE: 3



RECOMMENDED PCB LAYOUT

dr	Luo Weller	2014/04/18	projection 	MM 	size	A4	scale	1:1
eng	Luo Weller	2014/05/03			ecn no	-		
chr	-	-			rel level	Released		
appr	Pei-Ming Zheng	2014/05/03	product family	PwrBlade	rel level	Released		
	title	7DCP RIGHT ANGLE SOLDER HEADER		dwg no	51939-862		rev	A
www.fci.com	cat. no.	-	Product - Customer Drw		sheet 3 of 4			

1

2

3

4

PRODUCT NUMBER

51939-862__
NOTE: 3

NOTES:

1. DIMENSIONS AND TOLERANCES ARE IN ACCORDANCE WITH ASME Y14.5M, 1994 UNLESS OTHERWISE SPECIFIED.

CONNECTOR NOTES:

- 2. HOUSING MATERIAL: UL 94 V-0 GLASS FILLED HIGH-TEMP THERMOPLASTIC
POWER CONTACT MATERIAL: COPPER ALLOY
SIGNAL PIN MATERIAL: COPPER ALLOY
- 3. SEE ITEM 1 & 2 IN PRINT 10064183 FOR PLATING SPEC OF 51939-862 AND 51939-862LF RESPECTIVELY.
- 4. MANUFACTURER'S NAME, DATE CODE AND OPTIONAL P/N TO APPEAR ON THIS SURFACE. THE MARK CAN BE OMITTED IF THERE IS NOT ENOUGH SPACE ON THIS SURFACE.
- 5. PRODUCT SPECIFICATION GS-12-149.
APPLICATION SPECIFICATION BUS-20-067.
- 6. PACKAGED IN TRAYS.

PCB NOTES:

- 7. ALL HOLE DIAMETERS ARE FINISHED HOLE SIZE.
- 8. MOUNTING HOLES, WHERE APPLICABLE, ARE UNPLATED.
- 9. $\varnothing 1.151 \pm 0.025$ DRILLED HOLES PLATED WITH 0.008 MIN SnPb OR Sn OVER 0.03 TO 0.08 Cu PLATING TO ACHIEVE $\varnothing 1.02 \pm 0.07$ HOLE.
- 10. CONNECTOR KEEP-OUT ZONE.



Copyright FCI.

dr	Luo Weller	2014/04/18	projection 	MM 	size	A4	scale	1:1		
eng	Luo Weller	2014/05/03			ecn no	-				
chr	-	-			product family	PwrBlade	rel level	Released		
appr	Pei-Ming Zheng	2014/05/03			title	7DCP	dwg no	51939-862	rev	A
www.fci.com		cat. no.	-	Product - Customer Drw			sheet 4 of 4			

2

3