

# IME - SERIES

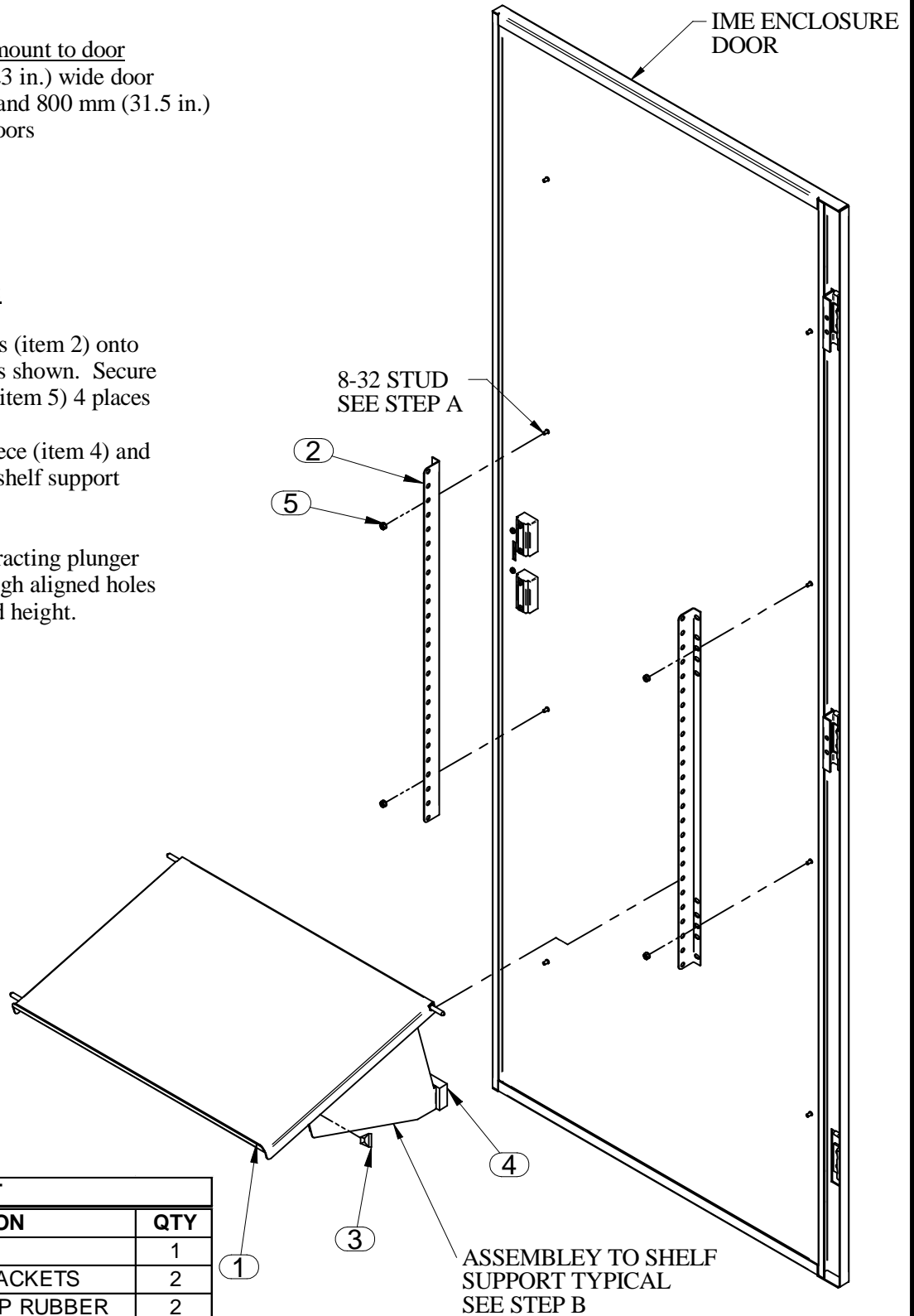
## ASSEMBLY INSTRUCTIONS FOR FOLD DOWN SHELF

BUL10190  
REV. A  
PAGE 1 OF 4

Showing direct mount to door  
IDS6 on 600 mm (23 in.) wide door  
IDS7 on 700 mm (28in.) and 800 mm (31.5 in.)  
wide doors

### ASSEMBLY INSTRUCTIONS:

- A) Install shelf mounting brackets (item 2) onto 8-32 studs on inside of door as shown. Secure to door using 8-32 KEP nuts (item 5) 4 places
- B) Adhere self sticking gasket piece (item 4) and shelf support stop (item 3) to shelf support typical each side of shelf.
- C) Locate shelf on bracket by retracting plunger lock/hinge and inserting through aligned holes on both brackets at the desired height.



### PARTS LIST

ITEM No.	DESCRIPTION	QTY
1	FOLD DOWN SHELF	1
2	SHELF MOUNTING BRACKETS	2
3	SHELF SUPPORT STOP RUBBER	2
4	GASKET PIECE SHELF SUPPORT	2
5	8-32 KEP NUTS	4

### TOOL BOX



11/32" Socket  
Wrench



**HAMMOND  
MANUFACTURING™**  
ELECTRONICS GROUP

visit our website @ [www.hammondmfg.com](http://www.hammondmfg.com)

# IME - SERIES

## ASSEMBLY INSTRUCTIONS FOR FOLD DOWN SHELF

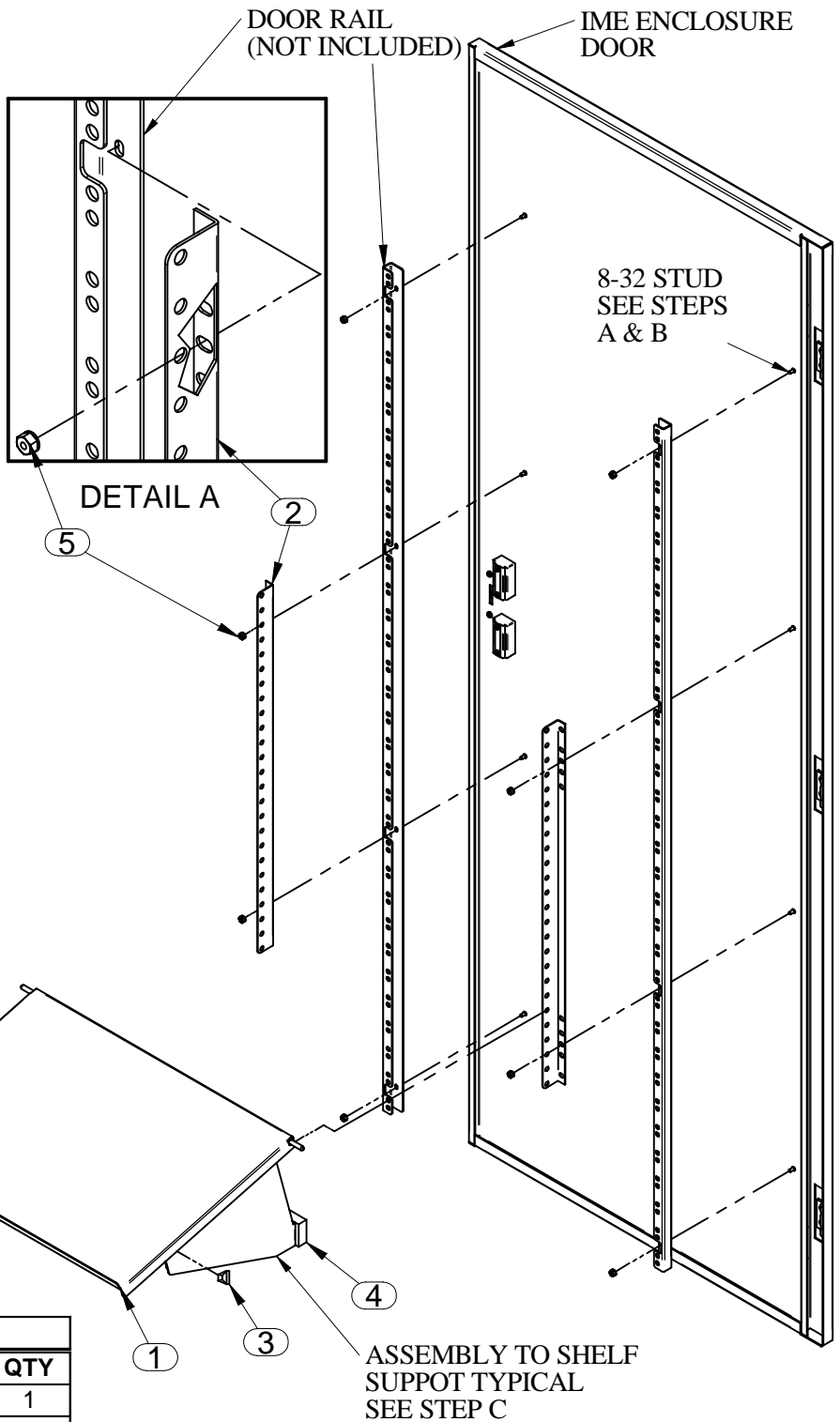
BUL10190  
REV. A  
PAGE 2 OF 4

Showing fold down shelf with door mounting rails installed



IDS6 on 600 mm (23 in.) wide door  
IDS7 on 700 mm (28 in.) and 800 mm (31.5 in.) wide doors

**ASSEMBLY INSTRUCTIONS:**

- A) Remove 8-32 nuts from center 4 studs on door mounting rails.
- B) Install shelf mounting brackets (item 2) onto same 8-32 studs on inside of door used to secure door rails see detail A. Secure to door using 8-32 KEP nuts (item 5) 4 places.
- C) Adhere self sticking gasket piece (item 4) and shelf support stop (item 3) to shelf support typical each side of shelf.
- D) Locate shelf on bracket by retracting plunger lock/hinge and inserting through aligned holes on both brackets at the desired height.



PARTS LIST		
ITEM No.	DESCRIPTION	QTY
1	FOLD DOWN SHELF	1
2	SHELF MOUNTING BRACKETS	2
3	SHELF SUPPORT STOP RUBBER	2
4	GASKET PIECE SHELF SUPPORT	2
5	8-32 KEP NUTS	4

<p>TOOL BOX</p> 	<p>11/32" Socket Wrench</p> 
--	---



# IME - SERIES

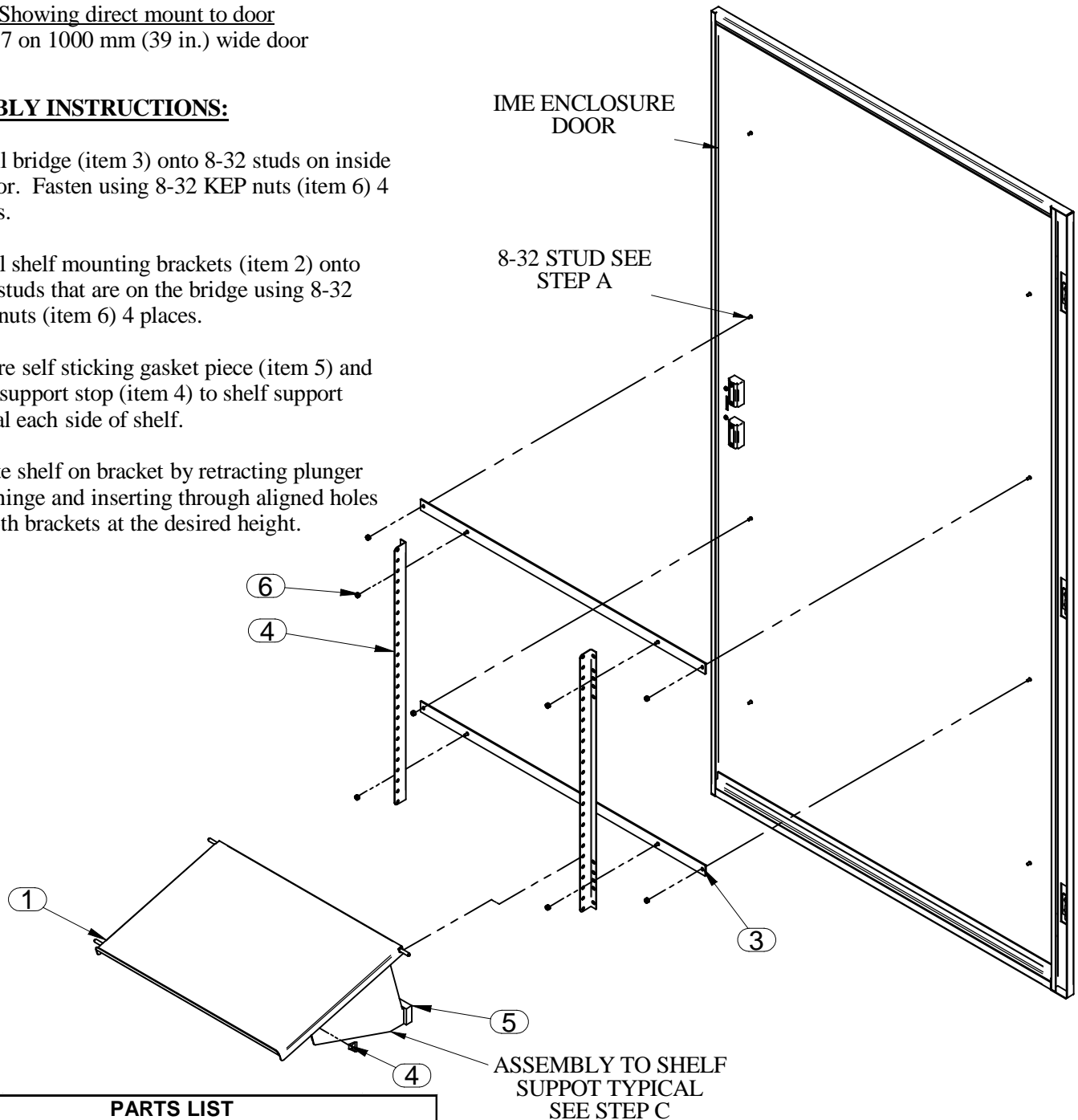
## ASSEMBLY INSTRUCTIONS FOR FOLD DOWN SHELF

BUL10190  
REV. A  
PAGE 3 OF 4

Showing direct mount to door  
IDS7 on 1000 mm (39 in.) wide door

### ASSEMBLY INSTRUCTIONS:

- A) Install bridge (item 3) onto 8-32 studs on inside of door. Fasten using 8-32 KEP nuts (item 6) 4 places.
- B) Install shelf mounting brackets (item 2) onto 8-32 studs that are on the bridge using 8-32 KEP nuts (item 6) 4 places.
- C) Adhere self sticking gasket piece (item 5) and shelf support stop (item 4) to shelf support typical each side of shelf.
- D) Locate shelf on bracket by retracting plunger lock/hinge and inserting through aligned holes on both brackets at the desired height.



PARTS LIST		
ITEM No.	DESCRIPTION	QTY
1	FOLD DOWN SHELF	1
2	SHELF MOUNTING BRACKETS	2
3	BRIDGE	2
4	SHELF SUPPORT STOP RUBBER	2
5	GASKET PIECE SHELF SUPPORT	2
6	8-32 KEP NUTS	8

TOOL BOX



11/32" Socket  
Wrench



**HAMMOND  
MANUFACTURING™**  
ELECTRONICS GROUP

visit our website @ [www.hammondmfg.com](http://www.hammondmfg.com)

# IME - SERIES

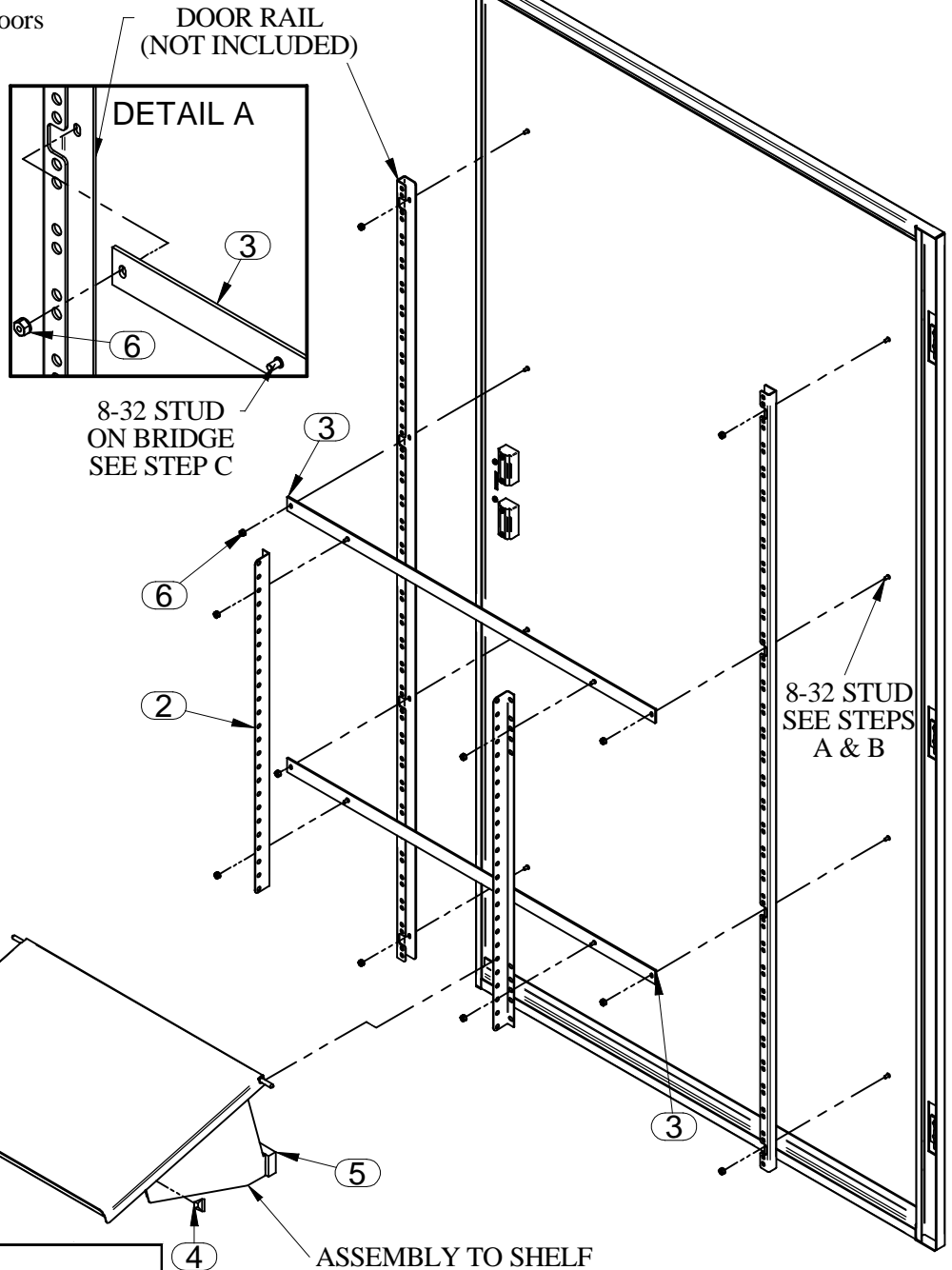
## ASSEMBLY INSTRUCTIONS FOR FOLD DOWN SHELF

BUL10190  
REV. A  
PAGE 4 OF 4

Showing fold down shelf with door mounting rails installed  
rails installed  
IDS7 on 1000 mm (39 in.) wide doors

### ASSEMBLY INSTRUCTIONS:

- A) Remove 8-32 nuts from center 4 studs on door mounting rails.
- B) Install bridge (item 3) onto same 8-32 studs on inside of door used to secure door rails. See detail A. Use 8-32 KEP nuts (item 6) 4 places.
- C) Install shelf mounting brackets (item 2) onto 8-32 studs that are on the bridge using 8-32 KEP nuts (item 6) 4 places.
- D) Adhere self sticking gasket piece (item 5) and shelf support stop (item 4) to shelf support typical each side of shelf.
- E) Locate shelf on bracket by retracting plunger lock/hinge and inserting through aligned holes on both brackets at the desired height.



PARTS LIST		
ITEM No.	DESCRIPTION	QTY
1	FOLD DOWN SHELF	1
2	SHELF MOUNTING BRACKETS	2
3	BRIDGE	2
4	SHELF SUPPORT STOP RUBBER	2
5	GASKET PIECE SHELF SUPPORT	2
6	8-32 KEP NUTS	8

TOOL BOX



11/32" Socket  
Wrench



**HAMMOND  
MANUFACTURING™**  
ELECTRONICS GROUP

visit our website @ [www.hammondmfg.com](http://www.hammondmfg.com)