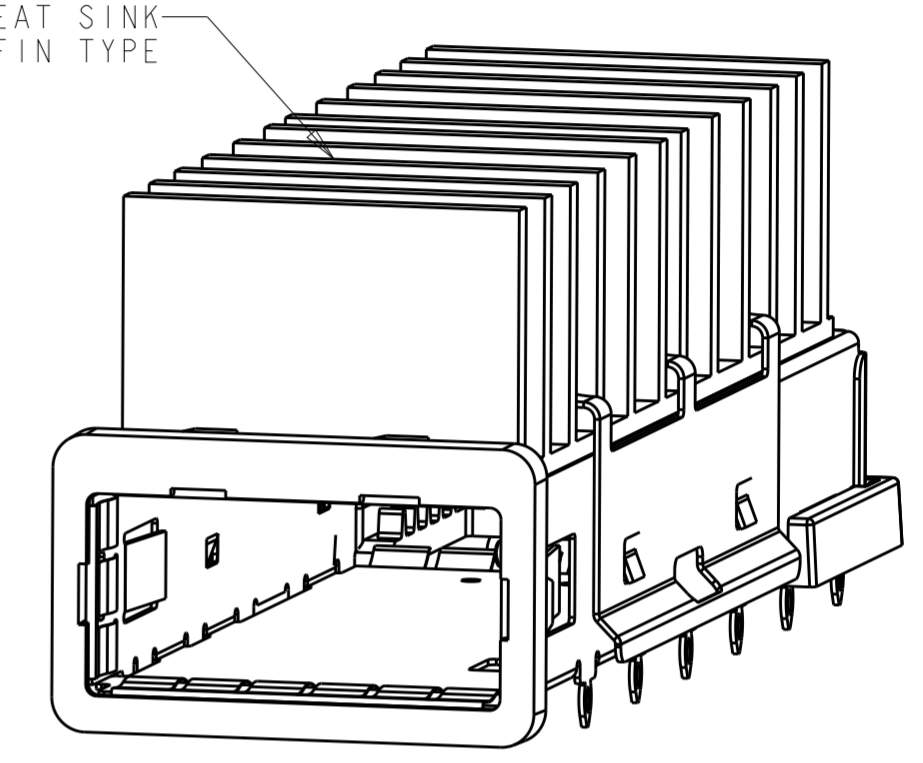
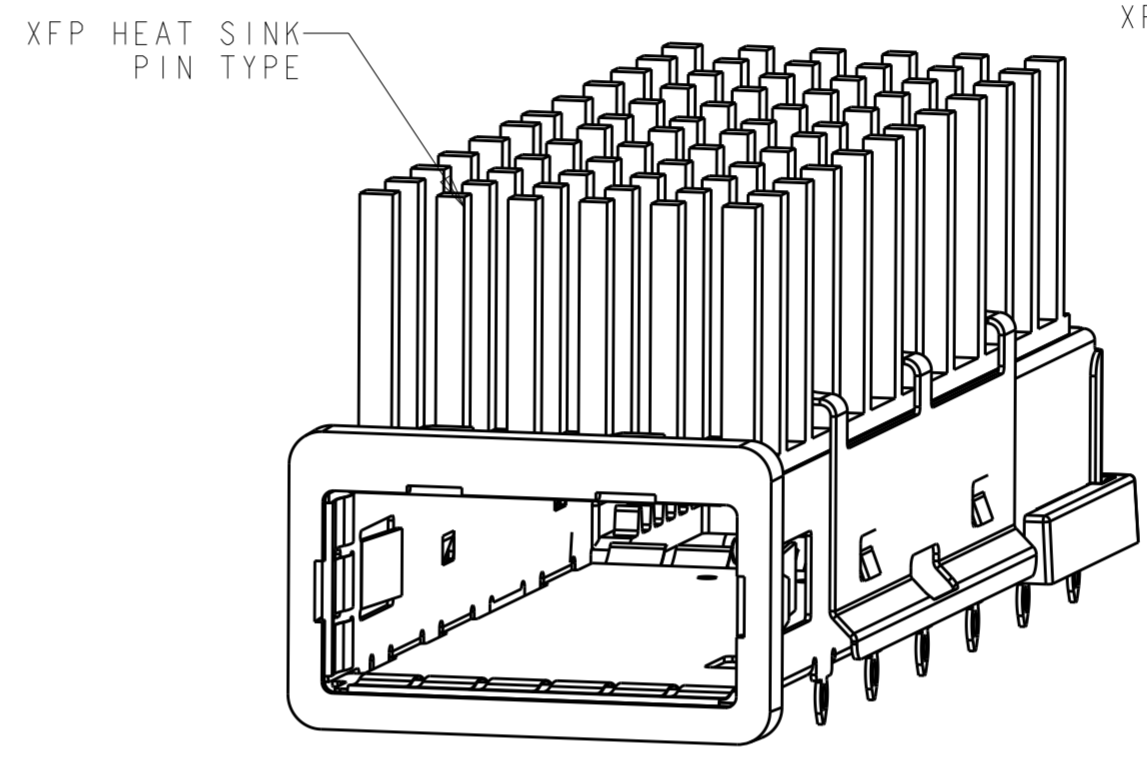
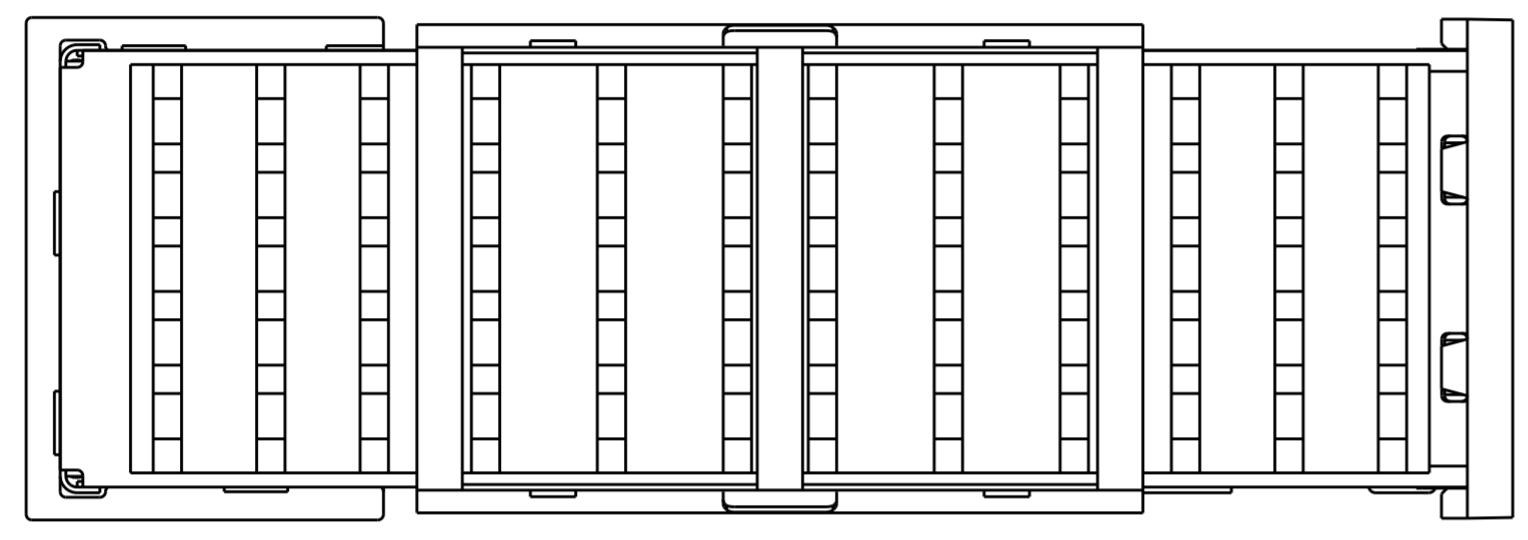


THIS DRAWING IS UNPUBLISHED. RELEASED FOR PUBLICATION 20  
 © COPYRIGHT 20 BY - ALL RIGHTS RESERVED.

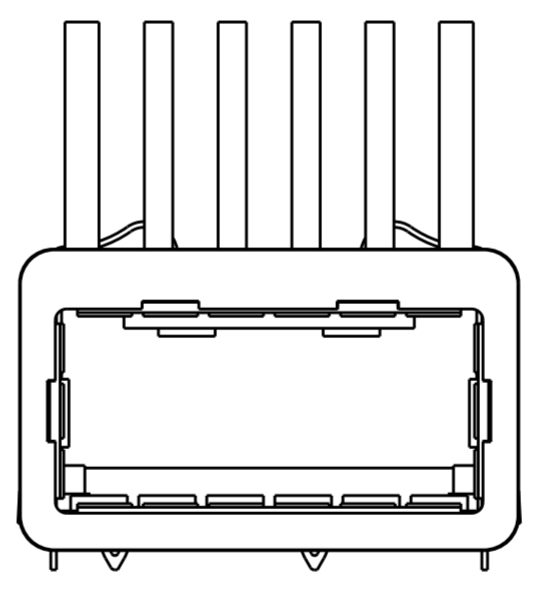
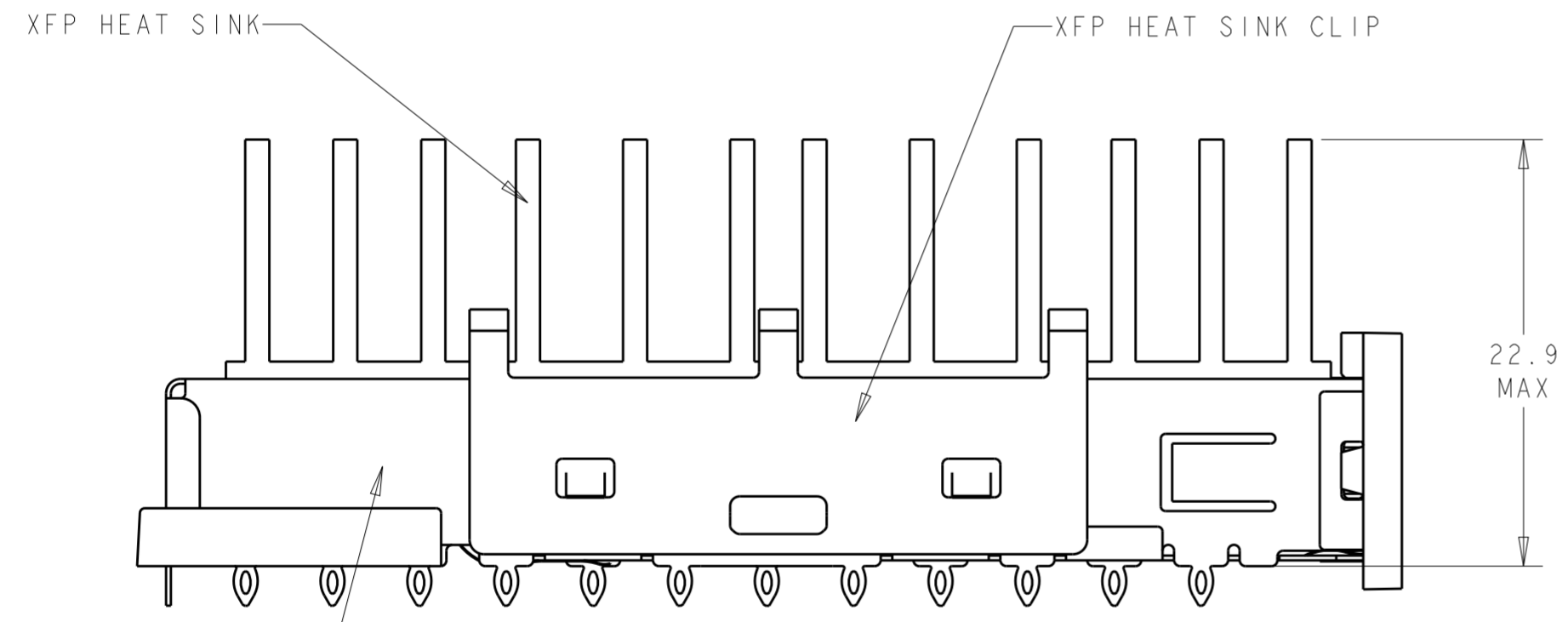
LOC	DIST	REVISIONS					
GP	00	P	LTR	DESCRIPTION	DATE	DWN	APVD
		C		REVISED PER ECO-11-005032	09MAR2011	JY	CW
		CI		REVISED PER ECO-11-012169	15JUN2011	KS	MQ.W
		D		REVISED PER ECO-12-016753	20SEP2012	JY	AC

- MATES WITH XFP MSA COMPLIANT TRANSCEIVERS.
- SEE COMPONENT DRAWINGS FOR COMPONENT DIMENSIONS AND INFORMATION.



1888065-1  
SCALE 3:1

1888065-2  
SCALE 3:1



XFP CAGE ASSEMBLY

ANODIZE BLACK	2170391-2	1489948-2	1489951-3	NETWORKING	1888065-2
NICKEL PLATING	1542706-2	1489948-2	1489951-3	NETWORKING	1888065-1
HEAT SINK FINISH	HEAT SINK PART NUMBER	HEAT SINK CLIP PART NUMBER	CAGE ASSEMBLY PART NUMBER	APPLICATION	PART NUMBER

THIS DRAWING IS A CONTROLLED DOCUMENT.

DWN	B. MCMASTER	24MAY06
CHK	J. KOPPENHEFFER	24MAY06
APVD	J. KOPPENHEFFER	24MAY06
PRODUCT SPEC	108-2127	
APPLICATION SPEC	114-13096	
WEIGHT	-	
CUSTOMER DRAWING	SCALE	SHEET OF REV D

STE TE Connectivity

NAME: XFP KIT ASSEMBLY

SIZE: A2 CAGE CODE: 00779 DRAWING NO: C-1888065 RESTRICTED TO: -