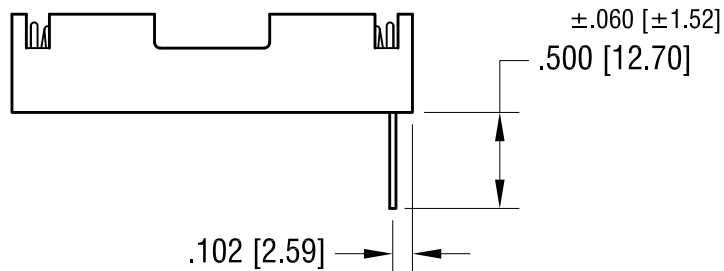
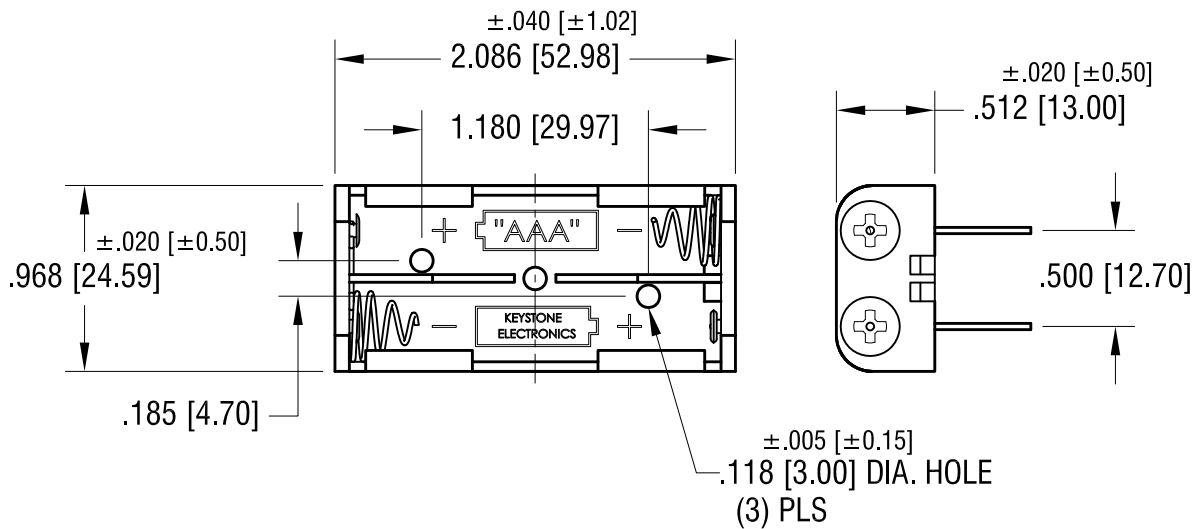
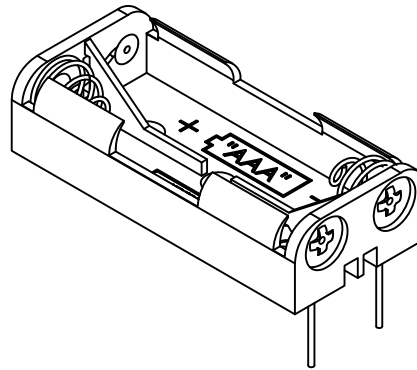
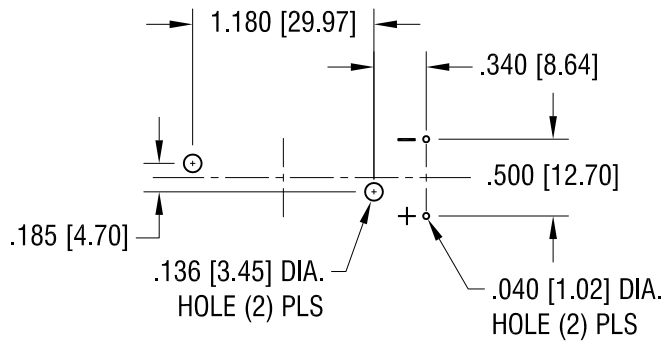


THIS DOCUMENT IS THE PROPERTY OF KEYSTONE ELECTRONICS CORP. AND SHALL NOT BE REPRODUCED, DISTRIBUTED OR USED AS A BASIS FOR MANUFACTURE WITHOUT PRIOR WRITTEN PERMISSION FROM KEYSTONE ELECTRONICS CORP.

MOUNTING DETAIL



NOTE:

- 1. HOLDER: MAT'L: POLYPROPYLENE
- SPRING: MAT'L: MUSIC WIRE, .024 [0.60] DIA.
- PC TERMINALS: MAT'L: BRASS, .032 [0.81] DIA.

| | | |
|---------|--------------------------|------|
| 9.13.08 | CHANGE AS PER ECN 08-153 | C |
| 8.24.05 | CHANGE AS PER ECN 05-059 | B |
| DATE | DESCRIPTION | REV. |

| | | | |
|---|-----------------|-----------------------------|-------------|
| KEYSTONE ELECTRONICS CORP. | | | |
| www.keyelco.com • ASTORIA, N.Y. 11105-2017 • Tel (718) 956-8900 | | | |
| PART NAME | | PC BATTERY HOLDER (2) 'AAA' | |
| MATERIAL | | AS NOTED | |
| FINISH | NICKEL PLATE | DRN BY | BOONE |
| | | APP'D | LN |
| | | DATE | 4.18.97 |
| | | SCALE | 1X |
| TOLERANCES | INCH [MM] | CODE | DWG NO. |
| DECIMAL | ± .015 [± 0.38] | C/M | 2468 |
| ANGULAR | ± 1° | | |
| UNLESS OTHERWISE SPECIFIED | | | |