

**60**mm sq.

# San Ace 60



## General Specifications

- Material ..... Frame: Plastics (Flammability: UL94V-0),  
Impeller: Plastics (Flammability: UL94V-0)
- Expected Life ..... Refer to specifications (L10: Survival rate: 90% at 60°C ,  
rated voltage, and continuously run in a free air state)
- Lead Wire ..... ⊕red ⊖black (Sensor) yellow (Control) brown  
(For models without PWM control function, there is no speed control wiring.)
- Storage Temperature ... -30°C to +70°C (Non-condensing)

**60×60×20**mm (Mass : 70g) **9GA type** Low Power Consumption Fan



## Specifications

The following nos. **have PWM controls, pulse sensors, and ribs.**

Model No.	Rated Voltage [V]	Operating Voltage Range [V]	PWM duty cycle <sup>*)</sup> [%]	Rated Current [A]	Rated Input [W]	Rated Speed [min <sup>-1</sup> ]	Max. Airflow [m <sup>3</sup> /min] [CFM]	Max. Static Pressure [Pa] [inchH <sub>2</sub> O]	SPL [dB(A)]	Operating Temperature [°C]	Expected Life [h]
9GA0612P6G001	12	10.8 to 13.2	100	0.26	3.12	6,850	0.88 31.1	125 0.50	43	-20 to +70	40,000/60°C (70,000/40°C)
9GA0612P6S001			100	0.15	1.80	5,500	0.70 24.7	81 0.33	36		
9GA0624P6G001	24	21.6 to 26.4	100	0.12	2.88	6,850	0.88 31.1	125 0.50	43		
9GA0624P6S001			100	0.07	1.68	5,500	0.70 24.7	81 0.33	36		

Note: Fan does not rotate when PWM duty cycle is 0%.

\*)PWM Frequency : 25kHz

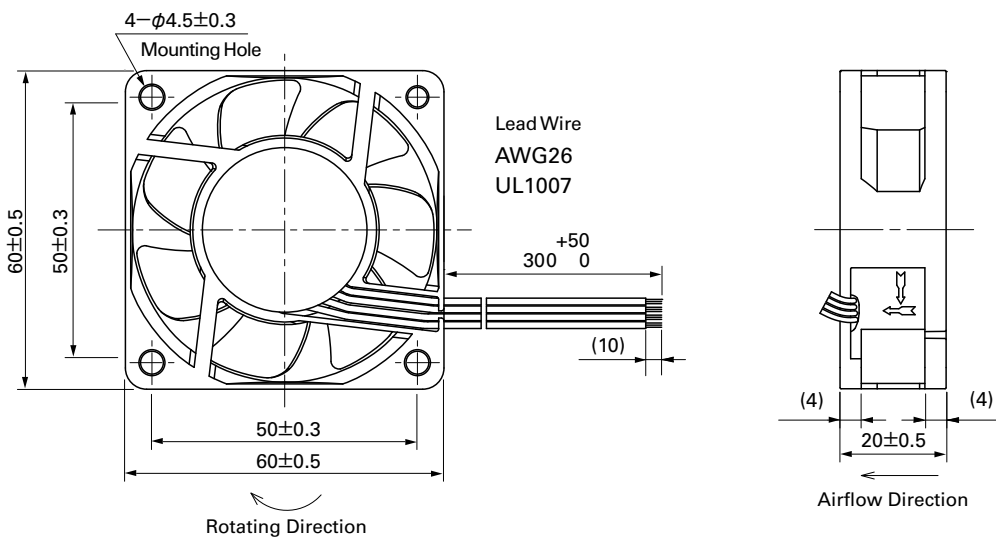
## The following nos. have pulse sensors and ribs.

Model No.	Rated Voltage [V]	Operating Voltage Range [V]	Rated Current [A]	Rated Input [W]	Rated Speed [min <sup>-1</sup> ]	Max. Airflow [m <sup>3</sup> /min] [CFM]	Max. Static Pressure [Pa] [inchH <sub>2</sub> O]	SPL [dB(A)]	Operating Temperature [°C]	Expected Life [h]
9GA0612H6001	12	10.8 to 13.2	0.09	1.08	4,100	0.52 18.4	45 0.18	29	-20 to +70	60,000/60°C
9GA0612M6001			0.05	0.60	2,700	0.34 12.0	20 0.08	18		
9GA0624H6001	24	21.6 to 26.4	0.04	0.96	4,100	0.52 18.4	45 0.18	29		
9GA0624M6001			0.03	0.72	2,700	0.34 12.0	20 0.08	18		

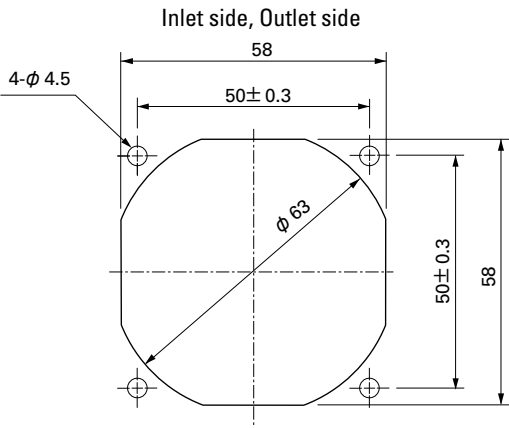
Other sensor specifications are available as options. Please refer to the index (pp. 504 to 505).

## Dimensions (unit: mm)

(With PWM control function · With pulse sensor)



Reference Dimensions of Mounting Holes and Vent Opening (unit: mm)



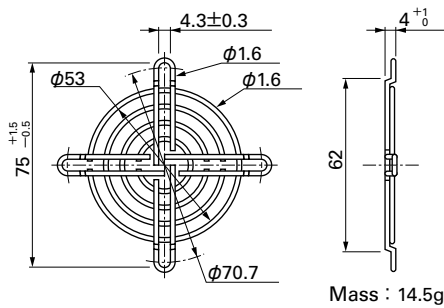
Options (unit: mm)

Finger Guards

Model : 109-139E Surface treatment : Nickel-chrome plating (silver)  
 : 109-139H : Cation electropainting (black)

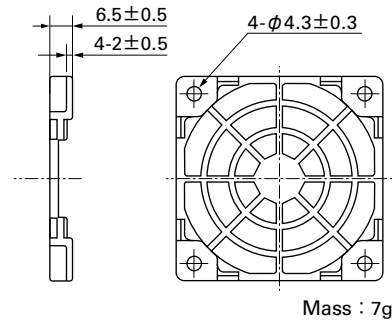
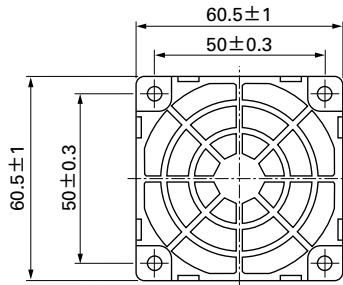
Color

Inlet side, Outlet side



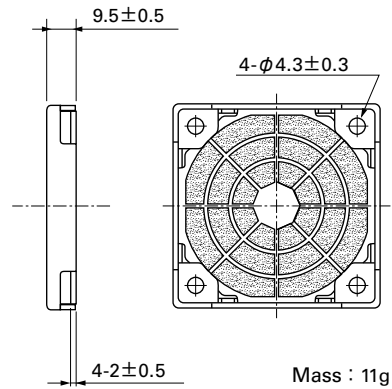
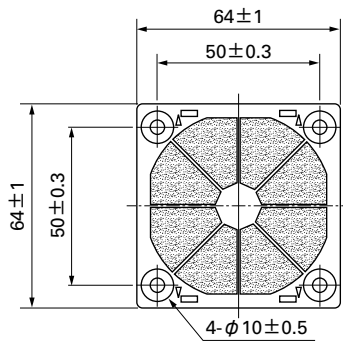
Resin Finger Guards

Model : 109-1003G



Resin Filter Kits

Model : 109-1003F13 (13PPI), 109-1003F20 (20PPI)  
 : 109-1003F30 (30PPI), 109-1003F40 (40PPI)



**60**mm sq.

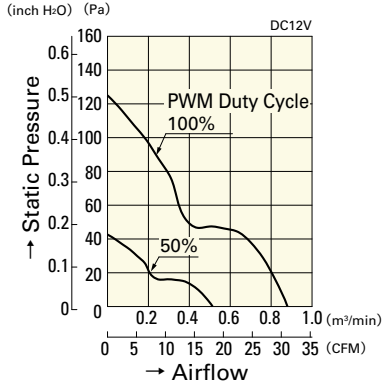
**San Ace 60**

**60×60×20**mm [Mass : 70g]

**Airflow - Static Pressure Characteristics**

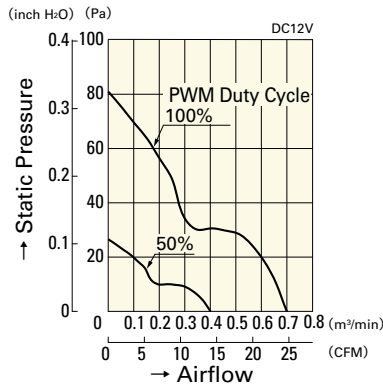
**PWM Duty Cycle**

With PWM control function · With pulse sensor



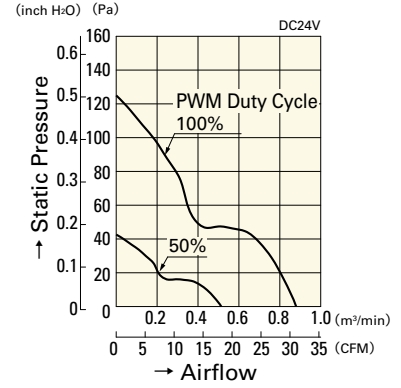
**9GA0612P6G001**

With PWM control function · With pulse sensor



**9GA0612P6S001**

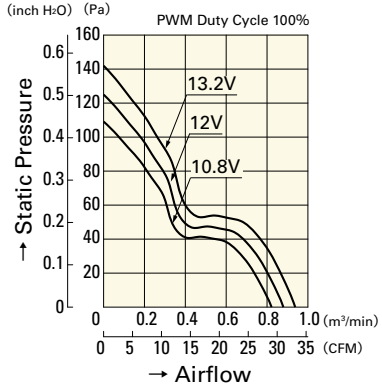
With PWM control function · With pulse sensor



**9GA0624P6G001**

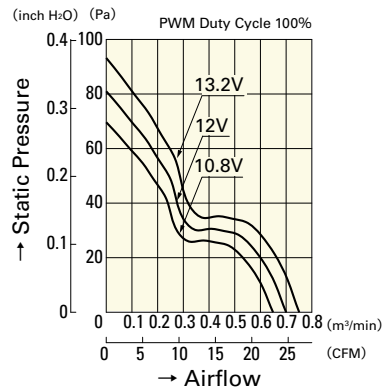
**Operating Voltage Range**

With PWM control function · With pulse sensor



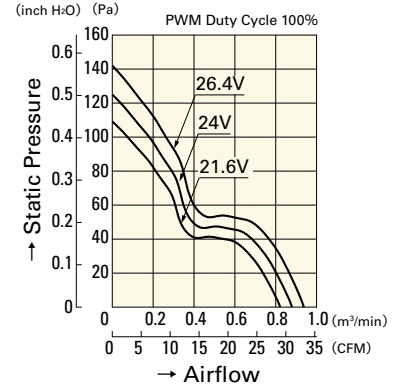
**9GA0612P6G001**

With PWM control function · With pulse sensor



**9GA0612P6S001**

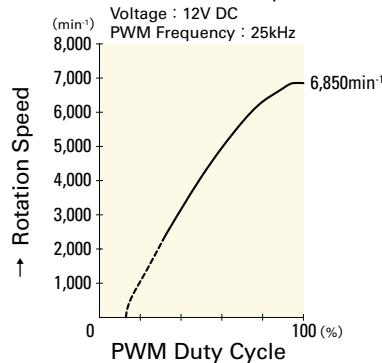
With PWM control function · With pulse sensor



**9GA0624P6G001**

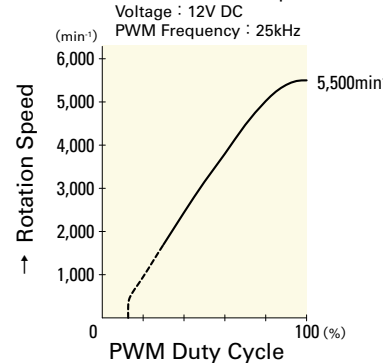
**PWM Duty - Speed Characteristics Example**

With PWM control function · With pulse sensor



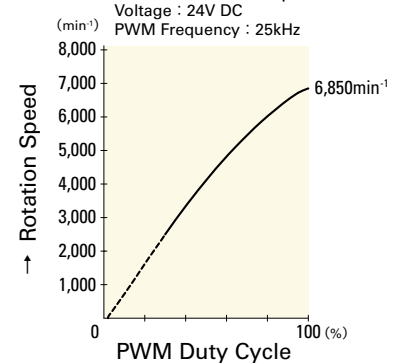
**9GA0612P6G001**

With PWM control function · With pulse sensor



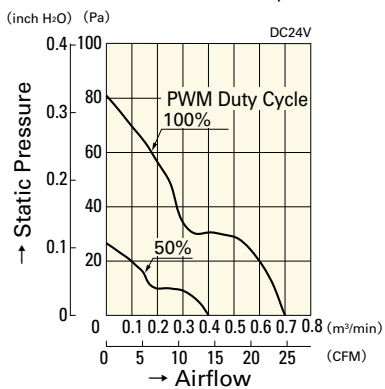
**9GA0612P6S001**

With PWM control function · With pulse sensor



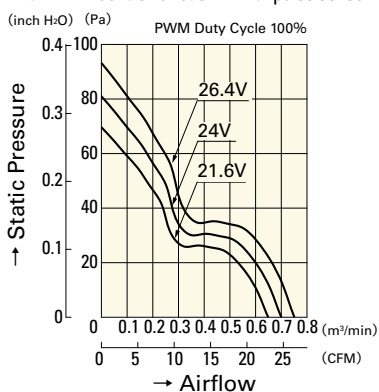
**9GA0624P6G001**

With PWM control function · With pulse sensor



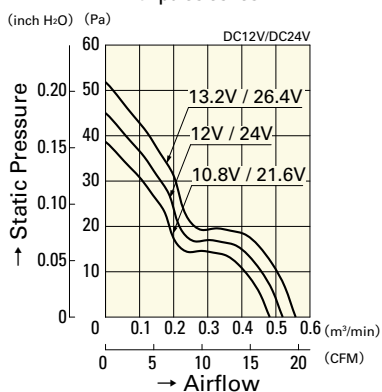
**9GA0624P6S001**

With PWM control function · With pulse sensor



**9GA0624P6S001**

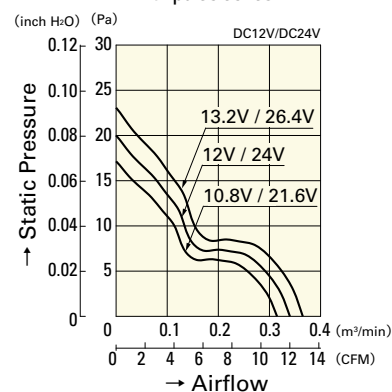
With pulse sensor



**9GA0612H6001**

**9GA0624H6001**

With pulse sensor

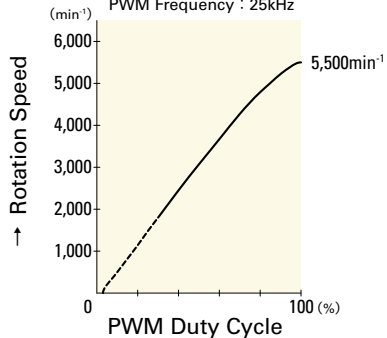


**9GA0612M6001**

**9GA0624M6001**

With PWM control function · With pulse sensor

Voltage : 24V DC  
PWM Frequency : 25kHz



**9GA0624P6S001**