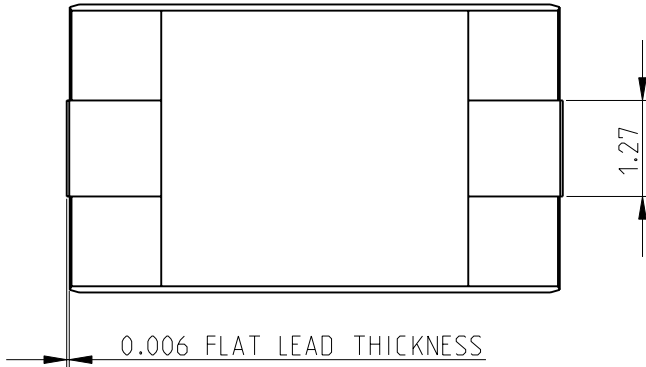
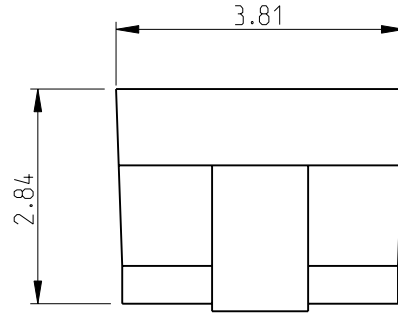
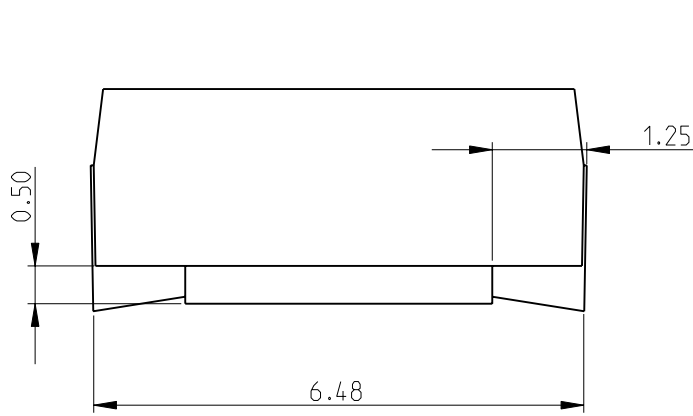
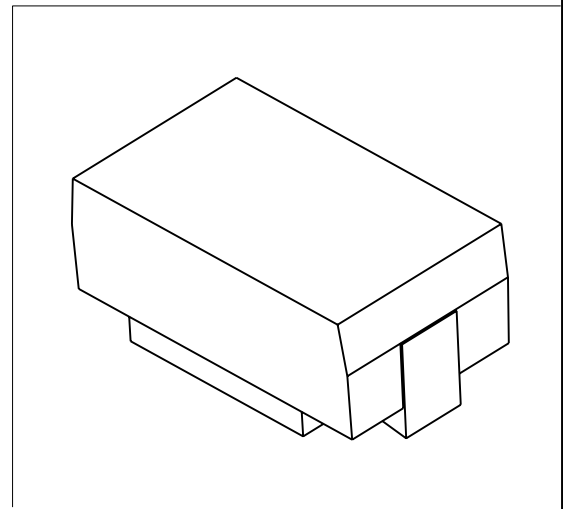
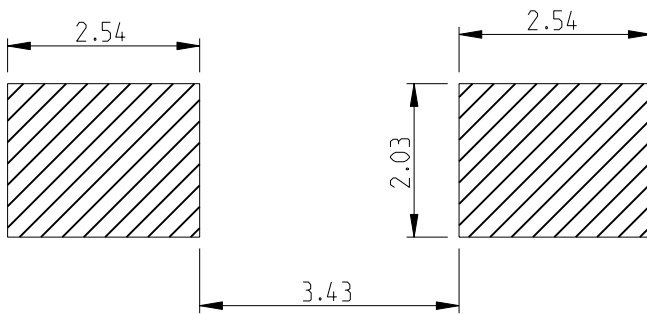


LOC	DIST	REVISIONS					
E	B	P	LTR	DESCRIPTION	DATE	DWN	APVD
		BA		NEW RELEASE	10JULY2010	PT	St.P

FOR FURTHER INFORMATION SEE DATA SHEET FOR
SERIES S - SMD MOULDED POWER RESISTOR



RECOMMENDED LAND PATTERN



2008

RELEASED FOR PUBLICATION

THIS DRAWING IS UNPUBLISHED.

BY TYCO ELECTRONICS CORPORATION. ALL RIGHTS RESERVED.

DIMENSIONS:	DWN	10JULY2010	MATERIAL	FINISH		
mm	PARUSURAM.T		-	-		
TOLERANCES UNLESS OTHERWISE SPECIFIED:	CHK	10JULY2010	Tyco Electronics Corporation Dorcan, Swindon, SN3 5HH			
0 PLC ±0.2	ALLAN.P					
1 PLC ±0.1	APVD	10JULY2010	NAME SMD MOULDED POWER RESISTOR SERIES SP1			
2 PLC ±	STEPHEN.P					
3 PLC ±	PRODUCT SPEC		SIZE	CAGE CODE	DRAWING NO	RESTRICTED TO
4 PLC ±	APPLICATION SPEC		A 4	00779	©=1624274	-
ANGLES ±5°	WEIGHT		CUSTOMER DRAWING			
			SCALE	SHEET	OF	REV
			10:1	1	1	BA