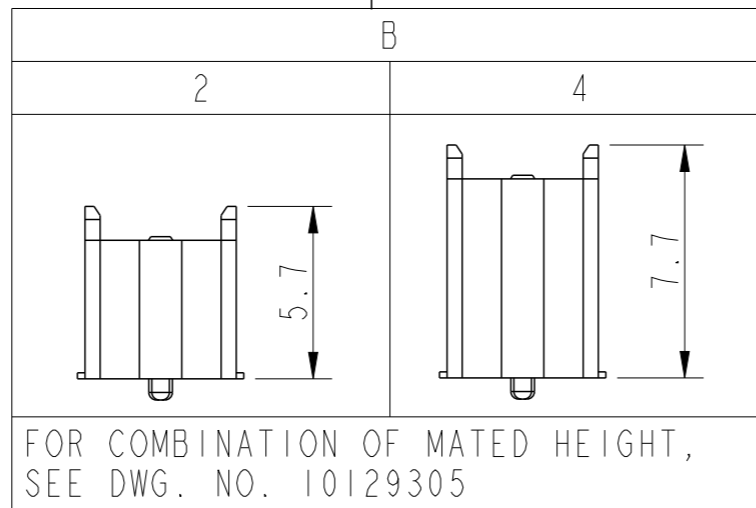


10129304- AA B C D E G FF

AA	NO. OF POSITIONS	B(NOTE 7)	
		2	4
06	2X30	YES	YES
08	2X40	YES	YES
10	2X50	YES	NA
12	2X60	YES	NA

G	DATE CODE
/	NOT PRINT DATE CODE
P	PRINT DATE CODE

E	PACKAGING
0	TUBE WITHOUT METAL CAP
2	TRAY WITHOUT CAP
9	TUBE WITH METAL CAP
6	T&R WITH METAL CAP
7	T&R WITH PLASTIC CAP



D	PLASTIC PEG	FEATURE
0	YES	

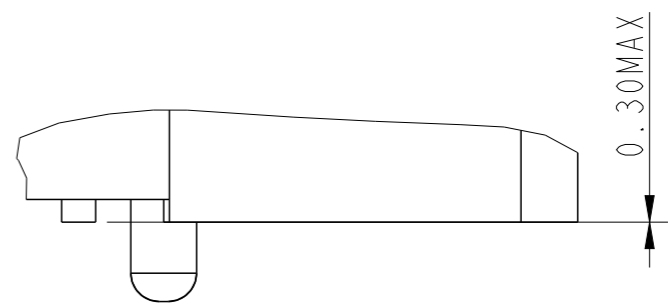
C	PLATING	FF
4	GOLD 0.2um Min / PURE MATTE TIN NICKEL UNDERPLATE OVERALL 1.27um (LEADFREE PLATING)	LF
5	GOLD 0.38um Min / PURE MATTE TIN NICKEL UNDERPLATE OVERALL 1.27um (LEADFREE PLATING)	LF
6	GOLD FLASH (0.065um Min) OVER PALLADIUM-NICKEL 0.69um Min / PURE MATTE TIN NICKEL UNDERPLATE OVERALL 1.27um (LEADFREE PLATING)	LF

NOTE:

- MATERIAL:  
HOUSING: HIGH TEMPERATURE THERMOPLASTIC, NATURAL, UL94 V-0  
TERMINAL: COPPER ALLOY
- PLATING: AS SHOWN IN TABLE.
- SEE GS-12-1229 FOR PRODUCT SPEC.
- THIS PRODUCT MEETS THE EUROPEAN UNION DIRECTIVES AND OTHER COUNTRY REGULATIONS AS DESCRIBED IN GS-22-008.
- THE HOUSING WILL WITHSTAND EXPOSURE UP TO 260~ PEAK TEMPERATURE FOR 30 SECONDS IN A CONVECTION, INFRA-RED OR VAPOR PHASE REFLOW OVEN.
- THE P/N 10129304-\*\*\*\*\*LF DOES NOT PRINT DATE CODE. THE P/N 10129304-\*\*\*\*\*PLF NEED PRINT DATE CODE.
- REMARK "YES" MEANS TOOLING CAN SUPPORT THIS TYPE. REMARK "NA" MEANS NO TOOLING CAN SUPPORT THIS TYPE.

spec ref	dr	Guo-Min Sun	2014/07/28	projection	mm	size	A3	scale	4:1
tolerance std	eng	Bob Gu	2016/10/22		← →	ecn no	ELX-N-25200-1		
TOLERANCES UNLESS OTHERWISE SPECIFIED							product family	-	rel level
surface	linear	0.X	±0.20	Amphenol FCI	BERGSTAK 0.8mm BTB	dwg no	10129304		rev
		0.XX	±0.15						
		0.XXX	±0.10						
angular	0°	±3°	www.fci.com	cat. no.	-	Product - Customer Drw	sheet 1 of 4		

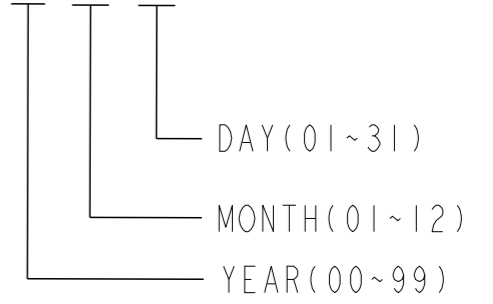
PRODUCT NO.	NO. OF POSITION	DIMENSION			PACKAGING INFORMATION(SHEET 4)		
		A	B	C	CARRIER TAPE WIDTH / PITCH	REEL WIDTH (DIM W)	Q'TY FOR ONE REEL/CARTON
10129304-062XXX	2X30	23.2	32.0	24.7	44.0/16.0	50.4	500
10129304-082XXX	2X40	31.2	40.0	32.7	56.0/16.0	62.4	500
10129304-102XXX	2X50	39.2	48.0	40.7	72.0/16.0	78.4	500
10129304-122XXX	2X60	47.2	56.0	48.7	72.0/16.0	78.4	500



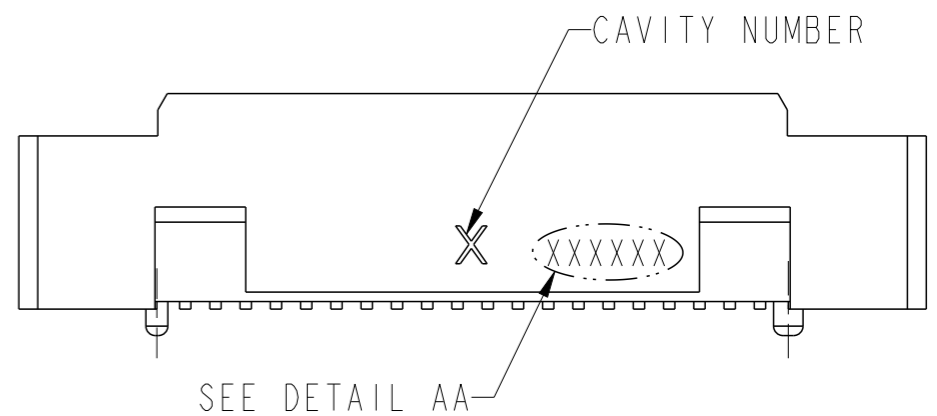
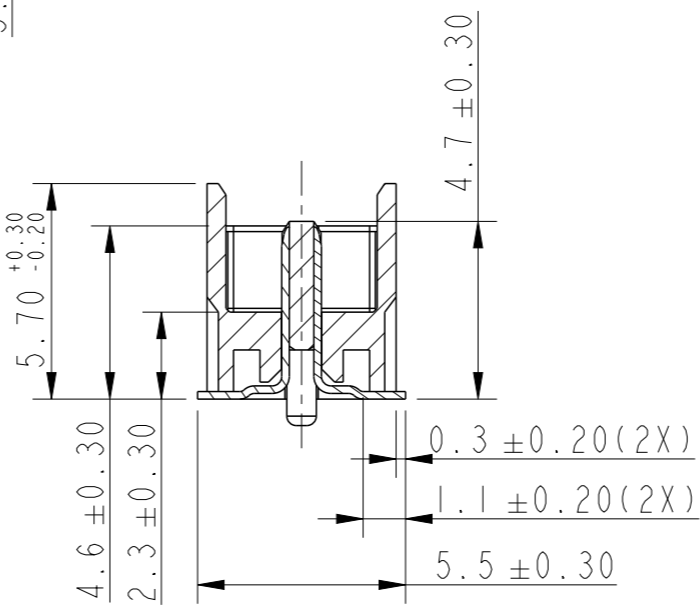
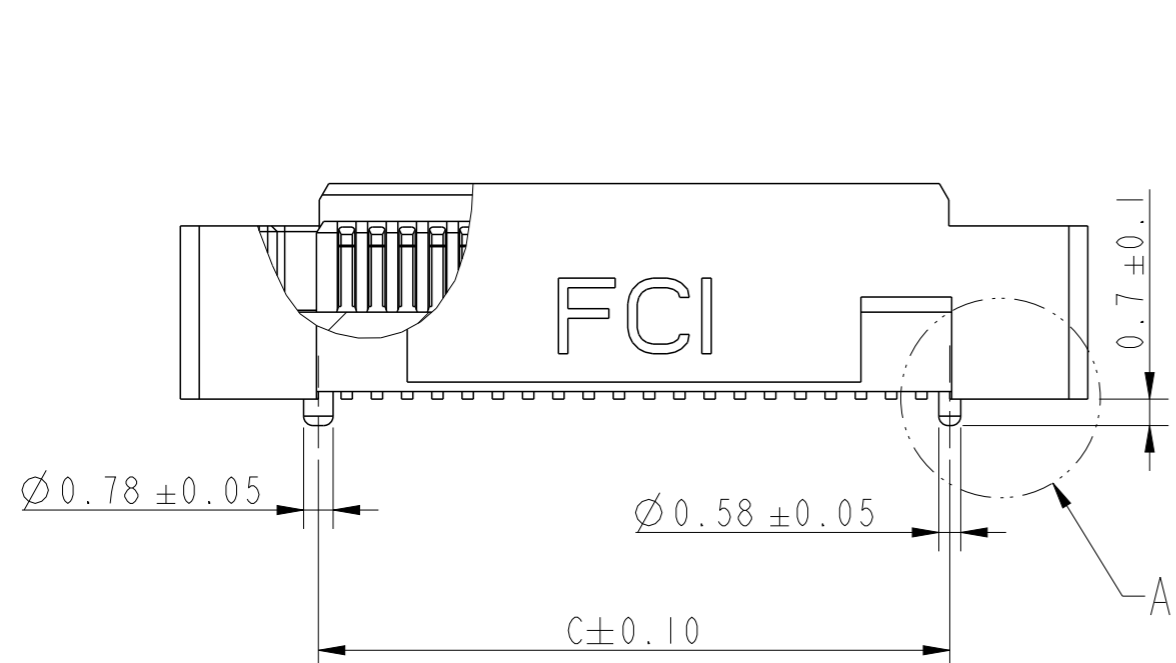
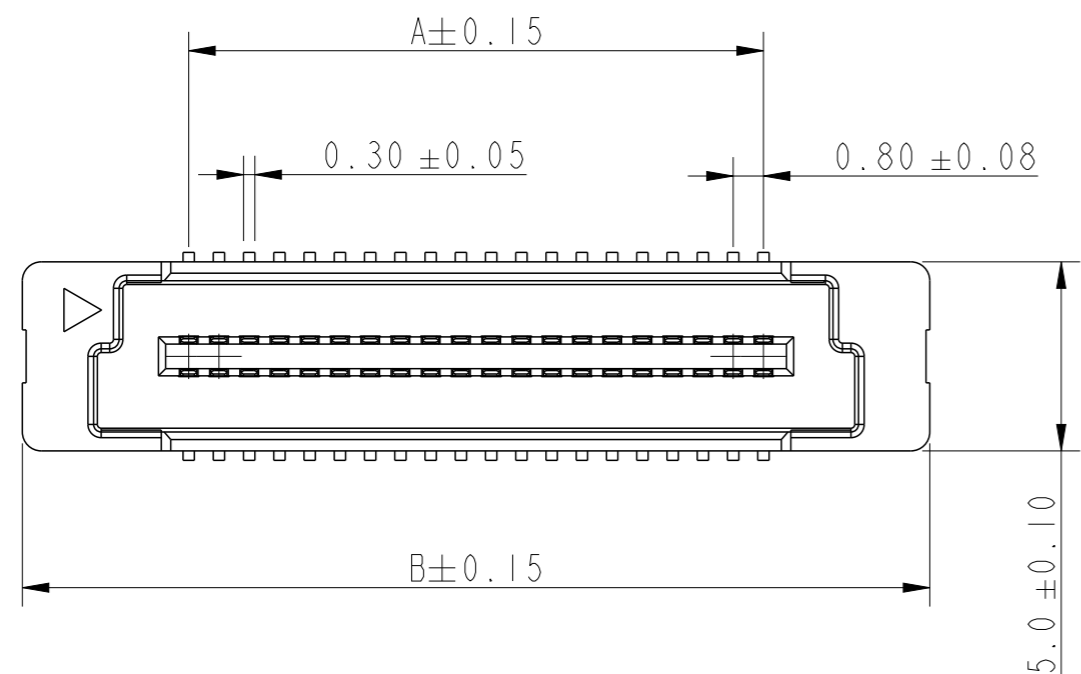
A(15:1)

COPLANARITY OF TAIL : 0.10 MAX

DATE CODE: XX XX XX



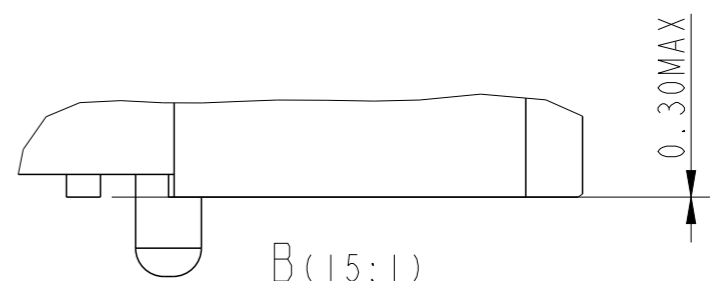
DETAIL AA



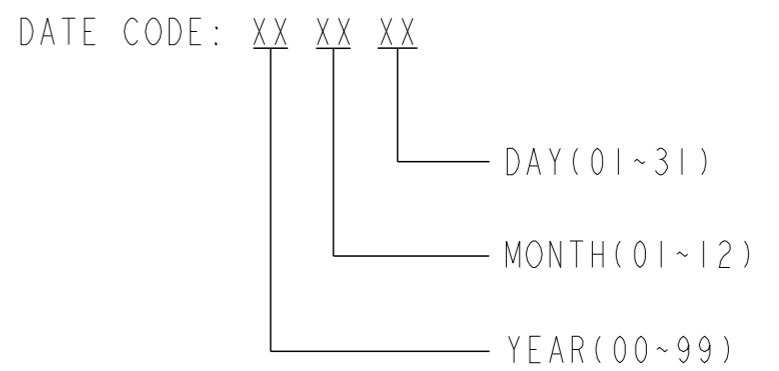
dr	Guo-Min Sun	2014/07/28	projection	mm	size	A3	scale	5:1
eng	Bob Gu	2016/10/22			ecn no	ELX-N-25200-1		
chr	-	-			rel level	Released		
appr	Tim Yao	2016/11/17	product family	-	rel level	Released		
<b>Amphenol FCI</b>		BERGSTAK 0.8mm BTB PLUG ASSY			dwg no 10129304	rev <b>C</b>		
<a href="http://www.fci.com">www.fci.com</a>		cat. no.	Product - Customer Drw		sheet 2 of 4			

© 2016 AFCI Amphenol FCI

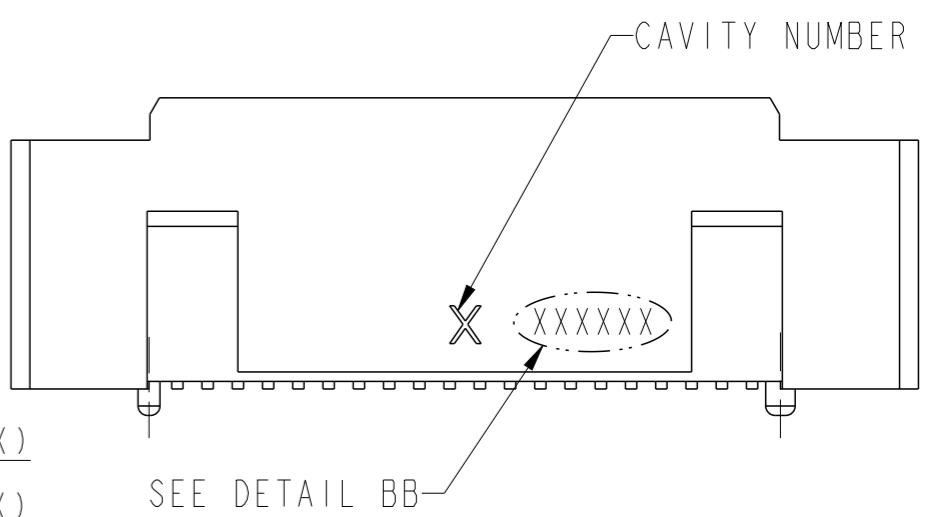
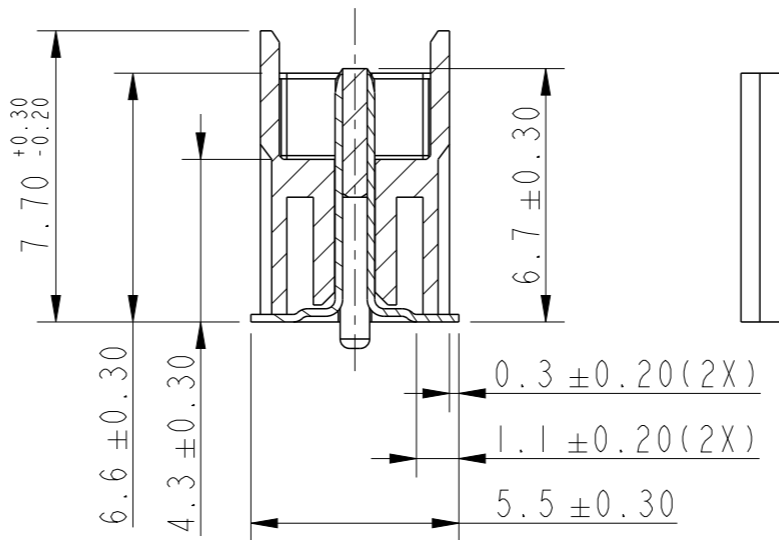
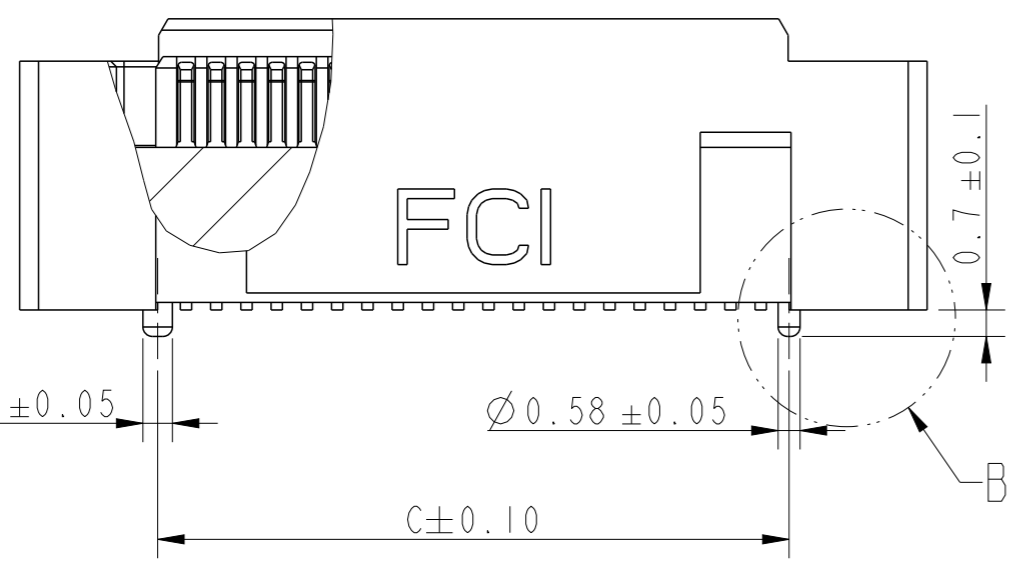
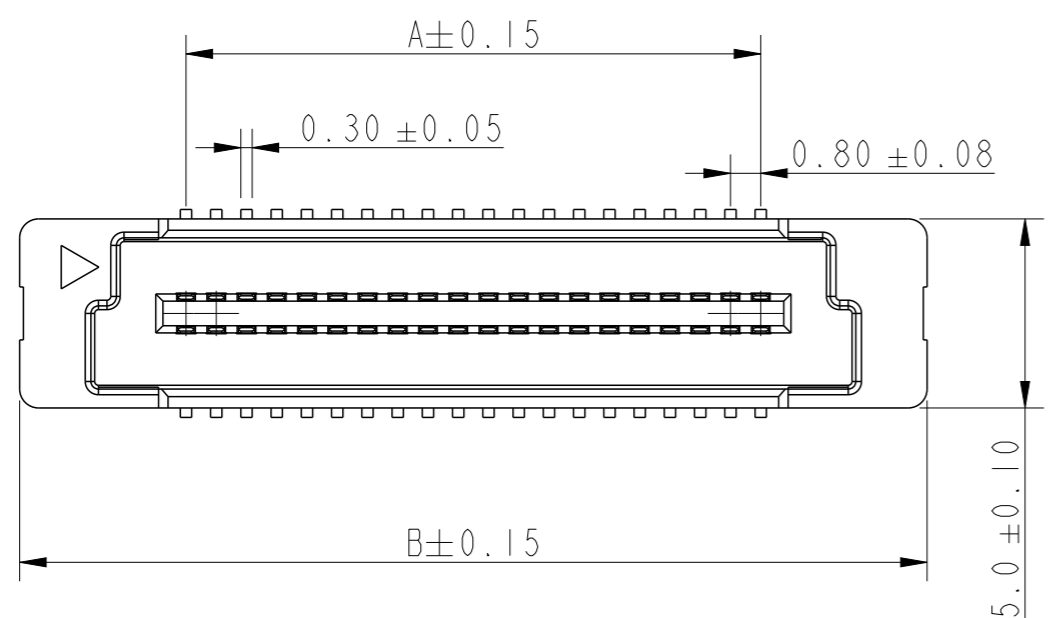
PRODUCT NO.	NO. OF POSITION	DIMENSION			PACKAGING INFORMATION(SHEET 4)		
		A	B	C	CARRIER TAPE WIDTH / PITCH	REEL WIDTH (DIM W)	Q'TY FOR ONE REEL/CARTON
10129304-064XXX	2X30	23.2	32.0	24.7	44.0/16.0	50.4	400
10129304-084XXX	2X40	31.2	40.0	32.7	56.0/16.0	62.4	400
10129304-104XXX	2X50	39.2	48.0	40.7	72.0/16.0	78.4	400
10129304-124XXX	2X60	47.2	56.0	48.7	72.0/16.0	78.4	400



COPLANARITY OF TAIL : 0.10 MAX



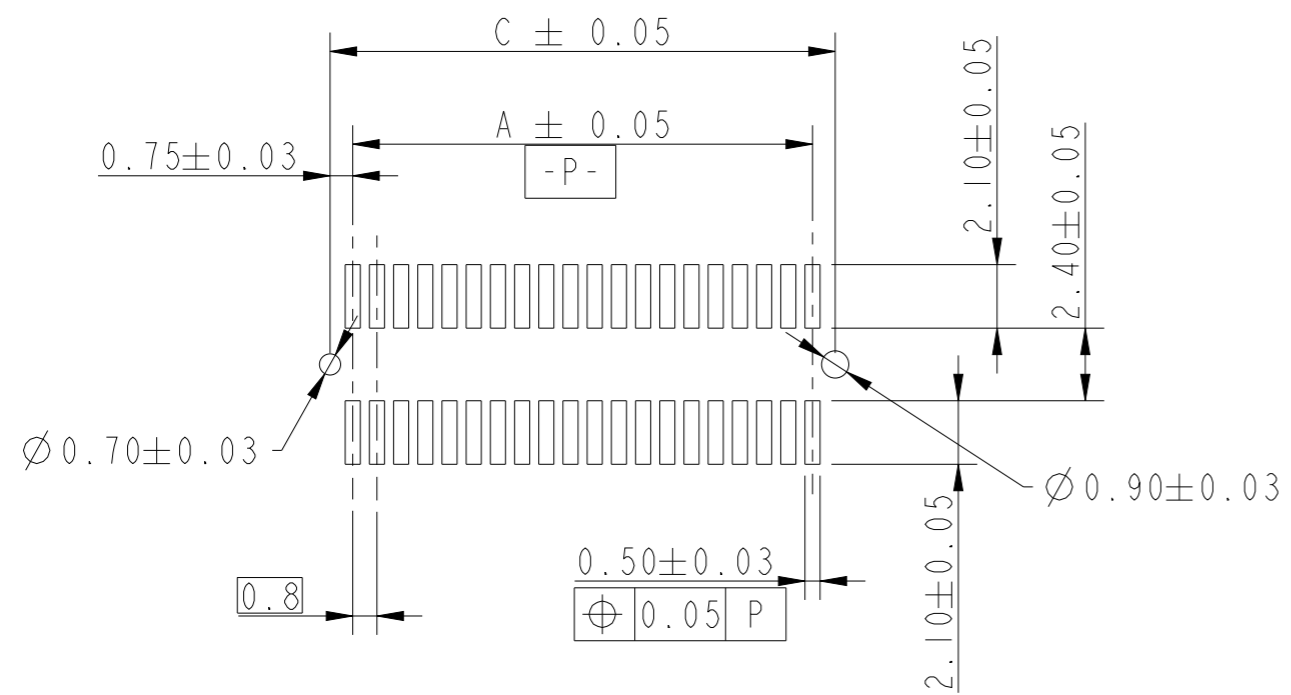
DETAIL BB



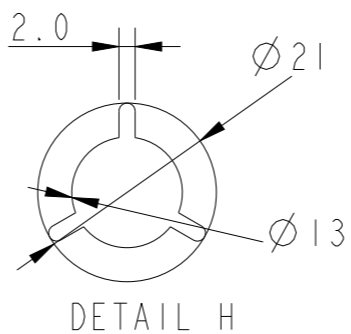
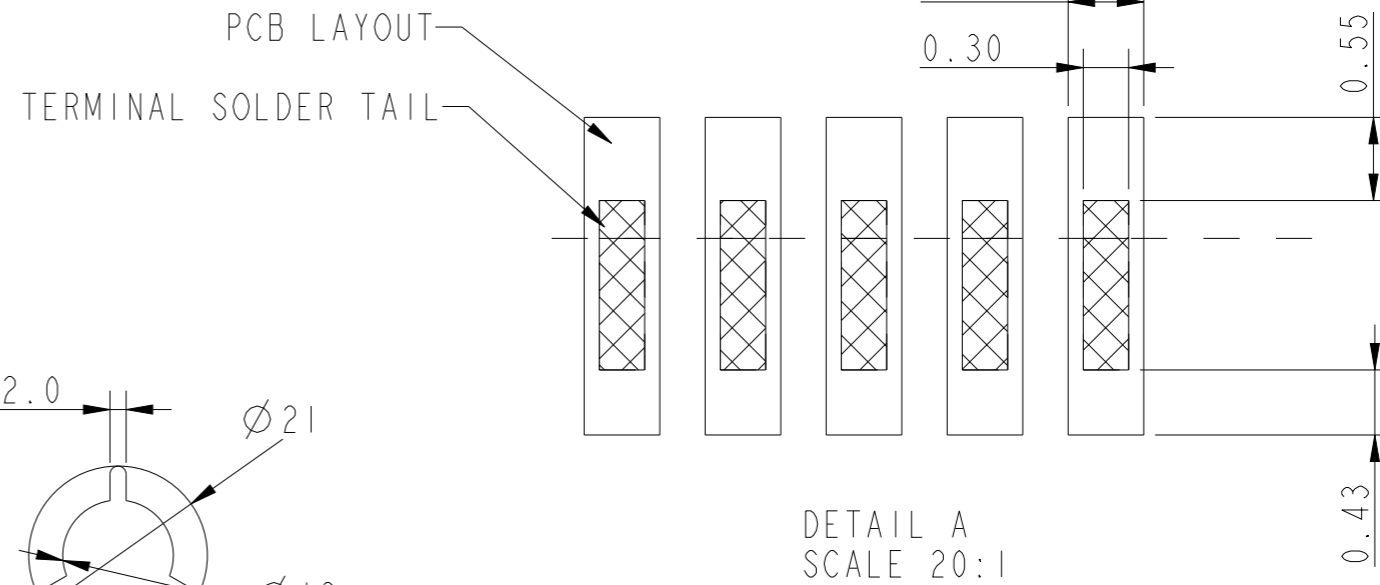
dr	Guo-Min Sun	2014/07/28	projection	mm	size	A3	scale	5:1
eng	Bob Gu	2016/10/22			ecn no	ELX-N-25200-1		
chr	-	-			rel level	Released		
appr	Tim Yao	2016/11/17	product family	-	rel level	Released		
<b>Amphenol FCI</b>		title BERGSTAK 0.8mm BTB PLUG ASSY			dwg no 10129304	rev <b>C</b>		
www.fci.com		cat. no.	Product - Customer Drw		sheet 3 of 4			

© 2016 AFCI  
 Amphenol FCI

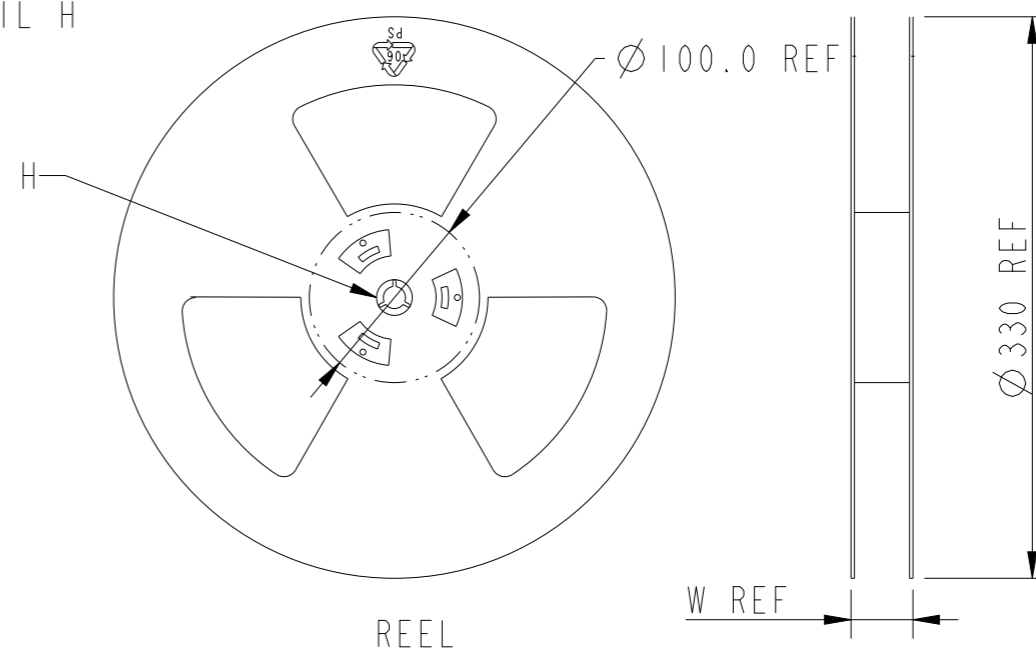
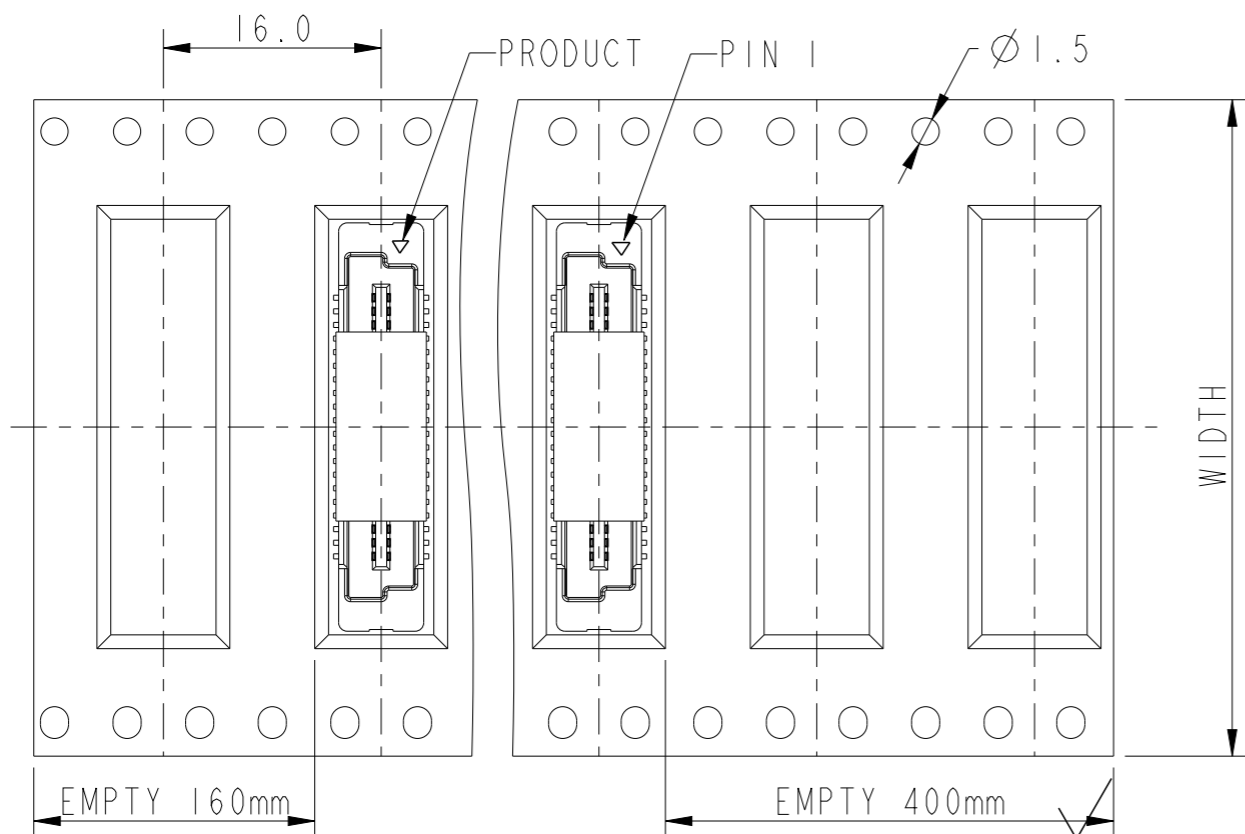
APPLY TO PLUG 2 & 4



RECOMMENDED PCB LAYOUT WITH PLASTIC PEG



CUSTOMER FEEDING DIRECTION  
CARRIER TAPE



dr	Guo-Min Sun	2014/07/28	projection	mm	size	A3	scale	4:1
eng	Bob Gu	2016/10/22		← →	ecn no	ELX-N-25200-1		
chr	-	-			rel level	Released		
appr	Tim Yao	2016/11/17	product family	-	rel level	Released		
<b>Amphenol FCI</b>		BERGSTAK 0.8mm BTB PLUG ASSY			dwg no 10129304	rev C		
www.fci.com		cat. no.	Product - Customer Drw		sheet 4 of 4			