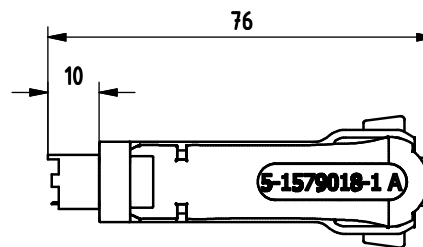
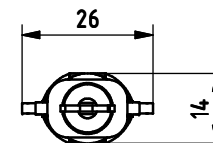
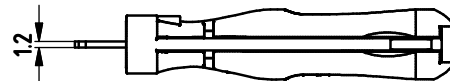
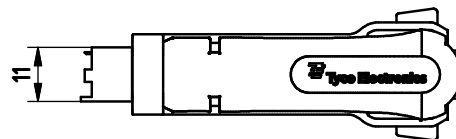
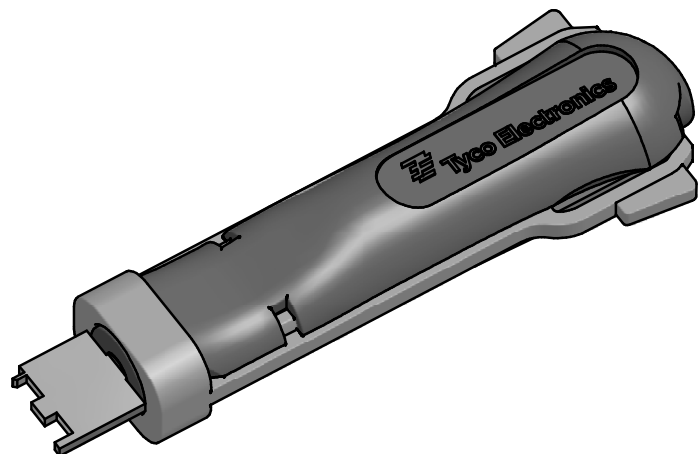


THIS DRAWING IS UNPUBLISHED. RELEASED FOR PUBLICATION
 © COPYRIGHT - BY TYCO ELECTRONICS CORPORATION. ALL INTERNATIONAL RIGHTS RESERVED.

LOC	DIST	REVISIONS			
P	LTR	DESCRIPTION	DATE	DWN	APVD
A		INITIAL REVISION	13FEB09	LS	SA

(2:1)



APPLICATION RANGE / Anwendungsbereich:

FOR MQS-CONTACT : 1379419-1, 1379419-2,
 1379418-1, 1379418-2

FOR SOCKET HOUSING : 1379914

THIS DRAWING IS A CONTROLLED DOCUMENT.		DWN L. Sandhu 13FEB09	Tyco Electronics Tyco Electronics AMP GmbH 64625 Bensheim (Germany)	
DIMENSIONS: mm	TOLERANCES UNLESS OTHERWISE SPECIFIED:	CHK S. Samstag 23OCT09	NAME EXTRACTION TOOL Entriegelungswerkzeug	
	0 PLC +++ 1 PLC +++ 2 PLC +++ 3 PLC +++ 4 PLC +++ ANGLES ±	APVD S. Samstag 23OCT09	SIZE A3	CAGE CODE 00779
	MATERIAL	FINISH	DRAWING NO 5-1579018-1	
		Gewicht / Weight in Kg 0,011	RESTRICTED TO	
CUSTOMER DRAWING			SCALE 1:1	SHEET 1 OF 1
			REV A	