

EMG 45-DIO 8E-1N5408

Order No.: 2949389

The illustration shows version EMG 45-DIO 8E

<http://eshop.phoenixcontact.de/phoenix/treeViewClick.do?UID=2949389>

Diode module, with eight diodes, can be individually wired, diode type
1N 5408

Commercial data

EAN	4017918083779
Pack	5 pcs.
Customs tariff	85411000
Weight/Piece	0.09184 KG
Catalog page information	Page 664 (IF-2009)

Product notes

WEEE/RoHS-compliant since:
05/10/2006



<http://www.download.phoenixcontact.com>
Please note that the data given here has been taken from the online catalog. For comprehensive information and data, please refer to the user documentation. The General Terms and Conditions of Use apply to Internet downloads.

Technical data

General data

Diode type	1 N 5408
Max. operating voltage	250 V AC
Peak reverse voltage per diode	1000 V
Reverse current per diode	10 μ A
Conducting state voltage per diode	Approx. 0.8 V

Conducting state current per diode	1.5 A (with single load)
	0.3 A (with simultaneous loads)
Width	45 mm
Height	55 mm
Depth	75 mm
Ambient temperature (operation)	-20 °C ... 50 °C
Ambient temperature (storage/transport)	-40 °C ... 70 °C
Surge voltage category	III, basic insulation (as per EN 50178)
Mounting position	Any
Assembly instructions	In rows with zero spacing

Connection data

Conductor cross section solid min.	0.2 mm ²
Conductor cross section solid max.	4 mm ²
Conductor cross section stranded min.	0.2 mm ²
Conductor cross section stranded max.	2.5 mm ²
Conductor cross section AWG/kcmil min.	24
Conductor cross section AWG/kcmil max	12
Stripping length	8 mm
Screw thread	M3
Type of connection	Screw connection

Certificates / Approvals



Certification GOST

Accessories

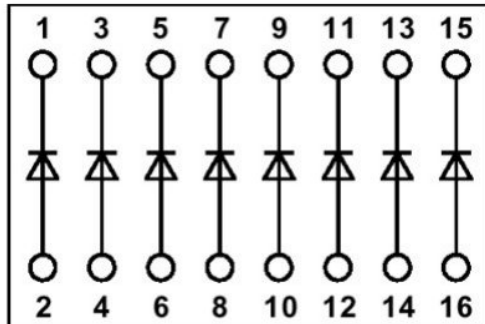
Item	Designation	Description
------	-------------	-------------

Marking

2947035	EMG-GKS 12	Equipment marker, width 12 mm
---------	------------	-------------------------------

Diagrams/Drawings

Circuit diagram



Address

PHOENIX CONTACT Inc., USA
586 Fulling Mill Road
Middletown, PA 17057, USA
Phone (800) 888-7388
Fax (717) 944-1625
<http://www.phoenixcon.com>



© 2010 Phoenix Contact
Technical modifications reserved;