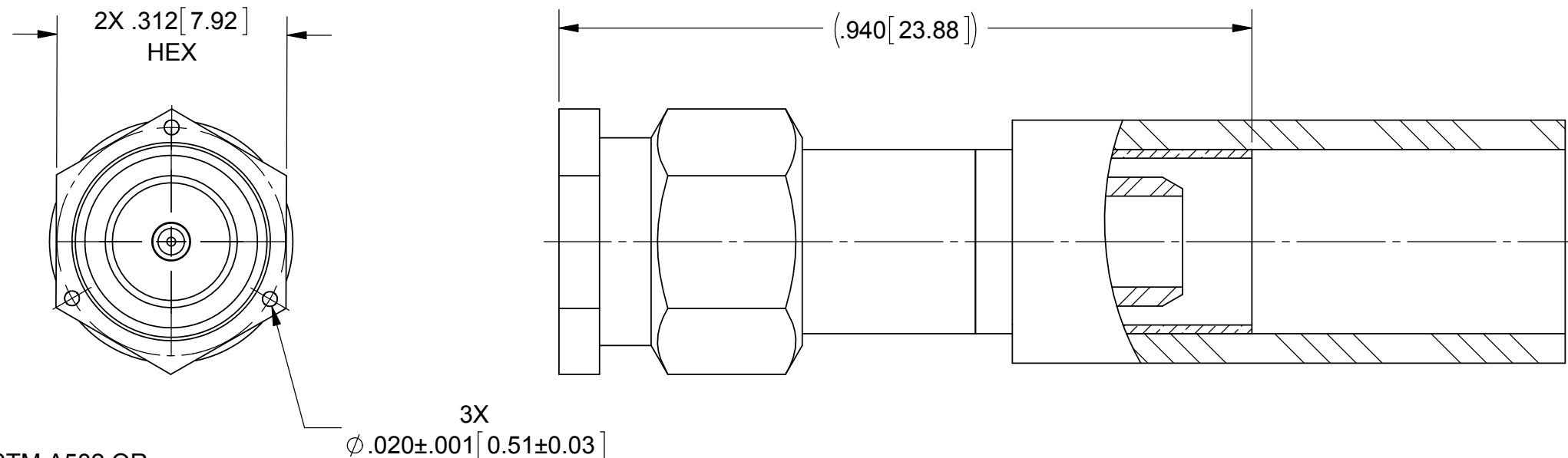
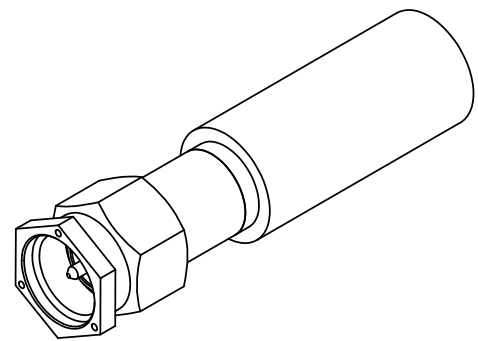


PRODUCT DATA DRAWING

REVISION HISTORY			
REV	DESCRIPTION	DATE	APPROVED
A	DCN 41763	10/15	MAL
B	DCN 42024	1/16	STW



MATERIAL:

- BODY & COUPLING NUT:** STAINLESS STEEL PER ASTM A582 OR AMS-5640, ALLOY UNS S30300
- LOCK RING:** BERYLLIUM COPPER PER ASTM B196, ALLOY UNS C17300 OR ASTM B194, ALLOY UNS C17200
- CONTACT:** BERYLLIUM COPPER PER ASTM B196, ALLOY UNS C17300
- CRIMP RING:** BRASS PER ASTM B16, ALLOY UNS C36000
- INSULATOR:** PTFE PER ASTM D1710, TYPE I, GRADE 1, CLASS B
- GASKET:** SILICONE RUBBER PER A-A-59588, CLASS 2B, GRADE 50/60
- TUBING:** SCL POLYOLEFIN PER MIL-I-23053/4, CLASS I

FINISH:

- BODY & COUPLING NUT:** PASSIVATED PER AMS-2700
- CONTACT:** GOLD PER ASTM B488, TYPE II, CODE C, CLASS 1.27, OVER NICKEL PER AMS-QQ-N-290, CLASS 1 .00005" MIN.
- CRIMP RING:** NICKEL PER AMS-QQ-N-290, CLASS 2, .00005" MIN.

PERFORMANCE:

- IMPEDANCE:** 50 OHMS
- FREQ. RANGE:** DC TO 12.4 GHz
- VSWR:** 1.15 + .02(F):1 DC TO 12.4 GHz
- INSERTION LOSS:** .06 X SQRT(F IN GHz)

MATERIAL: SEE NOTES	DIMENSIONS ARE IN INCHES TOLERANCES: FRACTIONAL: ±1/64 ANGULAR: X° ±1'0" X'X' ±15'	UNLESS OTHERWISE SPECIFIED 1) ALL DIMENSIONS ARE IN INCHES (MILLIMETERS) 2) ALL DIMENSIONS ARE AFTER PLATING. 3) BREAK CORNERS & EDGES .005 R. MAX. 4) CHAM. 1ST & LAST THREADS. 5) SURFACE ROUGHNESS 63-MIL-STD-10. 6) DIA. 'S ON COMMON CENTERS TO BE CONCENTRIC WITHIN .005 T.I.R. 7) REMOVE ALL BURRS	 2400 Centrepark West Drive, Suite 100 West Palm Beach, FL 33409 TITLE: SMA MALE FOR RG-142
FINISH: SEE NOTES	DECIMAL: X ±.030 .XX ±.010 .XXX ±.005	INTERPRET DIMENSIONS AND TOLERANCES PER ASME Y14.5M - 1994	
SURFACE AREA: N/A	THIRD ANGLE PROJECTION	DRAWN: DAL 10/12/15	SIZE: B CAGE CODE: 95077 DWG. NO.: M39012/55-3028
PROPRIETARY THE INFORMATION CONTAINED IN THIS DRAWING IS THE SOLE PROPERTY OF SV MICROWAVE, INC. ANY REPRODUCTION IN PART OR AS A WHOLE WITHOUT THE WRITTEN PERMISSION OF SV MICROWAVE, INC IS PROHIBITED.		CHECKED: MAL 10/12/15	SCALE: 5:1
		APPROVED: ND 02/26/86	SHEET 1 OF 1