



10 Watt F-Series Adapter with Interchangeable AC Clips PSA10F Level VI Adapter with DC Cord



Features

- Folding Blades
- Constant Current for Battery Charging
- 15mm Thick with Blades Folded
- Standard Barrel or Micro-B
- Interchangeable AC Clips
- Level VI Efficiency Compliant
- No load power draw <0.10W

Applications

- Tablets
- Networking Equipment
- Personal Electronics
- Peripherals

Safety Approvals

- cUL/UL
- RCM ⁽¹⁾
- BSMI
- CE
- TUV-Brazil
- PSE

Mechanical Characteristics

- Length: 60mm (2.36in)
- Width: 47mm (1.85in)
- Height: 15.0mm (0.59in)
- Weight: 67 (2.36oz)

Output Specifications

Model	DC Output Voltage			Load		Output Connector
	Min.	Typ.	Max.	Min.	Max.	
PSA10F-050	4.75V	5V	5.25V	0A	2A	Micro-B
PSA10F-050(P) ⁽²⁾	4.75V	5V	5.25V	0A	2A	Standard Barrel
PSA10FC-050 ⁽³⁾⁽²⁾	4.75V	5V	5.25V	0A	2A	Micro-B

(1) May need registration by Australian local representative.

(2) Minimum order quantity applies for this model

(3) China Model

Phihong is not responsible for any error, and reserves the right to make changes without notice. Please visit our website at www.phihong.com for the most up-to-date specifications and contact information.

INPUT:**AC Input Voltage Range**

90 to 264VAC

AC Input Voltage Rating

100 to 240VAC

AC Input Frequency

47 to 63Hz

AC Input Current

0.3A RMS maximum at 120VAC

0.15A RMS maximum at 240VAC

Leakage Current

100uA maximum at 240VAC

Inrush Current

60A at 240VAC

OUTPUT:**Output Power**

10W Continuous

Efficiency

DOE Level VI

EU CoC Ver5 Tier2

Standby Power

<100mW at 230VAC

Ripple and Noise

100mVp-p at 0A-1A load

200mVp-p at 1A-2A load

Current Limit

2.5A when less than 3V (auto-restart)

ENVIRONMENTAL:**Temperature**

Operating 0 to 40C

Non-operating -40 to +85C

Humidity 10 to 90%

EMI

FCC Class B, EN55022 Class B

Immunity

ESD: EN61000-4-2 Level 3

Radiated: EN61000-4-3 Level 2

EFT: EN61000-4-4 Level 2

Surge: EN61000-4-5 Level 3

C/T: EN61000-4-6 Level 2

PFMT: EN61000-4-8

VDT: EN61000-4-11

Harmonic: EN61000-3-2 Class A

Flicker: EN61000-3-3

Dielectric Withstand (HI-POT) Test

Primary to secondary: 3000VAC, 10mA, 60 seconds

Insulation Resistance

Primary to secondary: 500V >7M OHM

FEATURES:**Over Voltage Protection**

Auto-restart 6.3V maximum

Short Circuit Protection

Must withstand continuous short circuit

Over Temperature Protection

Auto shutdown without fault

DC Output

PSA10F-050 Micro-B USB: D+/D- Shorted

PSA10F-050(P) Standard Barrel: Center Positive 5.5x2.1x10mm

AC Input

US Fixed Blade folding prong

Interchangeable AC Clips (fit over US prongs)

FPBAG (FPE, FPK, FPS)

FPB: Brazil FPI: India

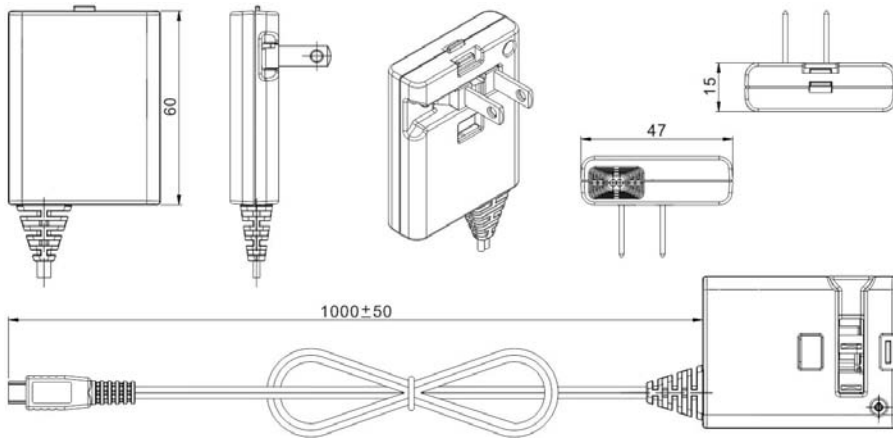
FPC: China FPK: UK

FPE: Europe FPN: Argentina

FPH: Korea FPS: Australia

(Sold Separately)

PSA10F-050 Micro-B USB



PSA10F-050(P) Standard Barrel

