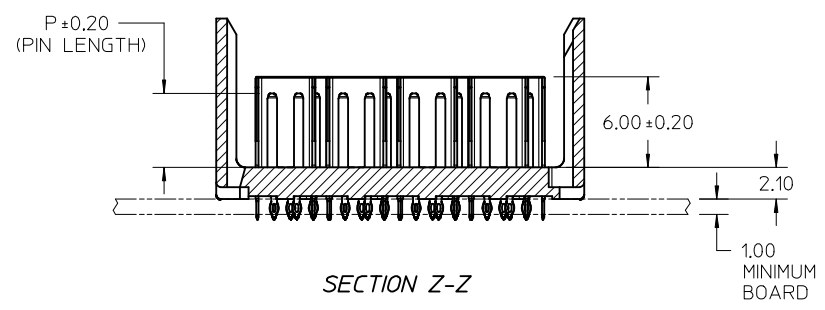
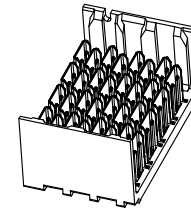


- NOTES:
1. MATERIALS: HOUSING - LIQUID CRYSTAL POLYMER (LCP)
GLASS-FILLED, UL94V-0
TERMINALS - HIGH PERFORMANCE COPPER ALLOY
 2. FINISH: 30µIN GOLD IN CONTACT AREA.
SELECTIVE TIN ON PCB TAILS.
NICKEL OVERALL.
 3. REFER TO MOLEX PRODUCT SPECIFICATION PS-171320-999 FOR PERFORMANCE SPECIFICATIONS.
 4. THIS PART CONFORMS TO CLASS B REQUIREMENTS OF MOLEX COSMETIC SPEC PS-45499-002.
 5. PRODUCT WILL BE PACKAGED PER PK-78888-084.
 6. SEE SHEETS 6 AND 7 FOR HOLE PATTERN AND MATED PART DIMENSIONS.
 7. MATES WITH IMPEL DC SERIES NUMBER 171320.
 8. REFER TO IMPEL PCB ROUTING GUIDE AS-171320-990 FOR ANTIPAD, ROUTING RECOMMENDATIONS, AND ADDITIONAL PCB INFORMATION.
 9. WHEN STACKING MODULES END TO END, THE MINIMUM COLUMN TO COLUMN SPACING IS 2.65mm.

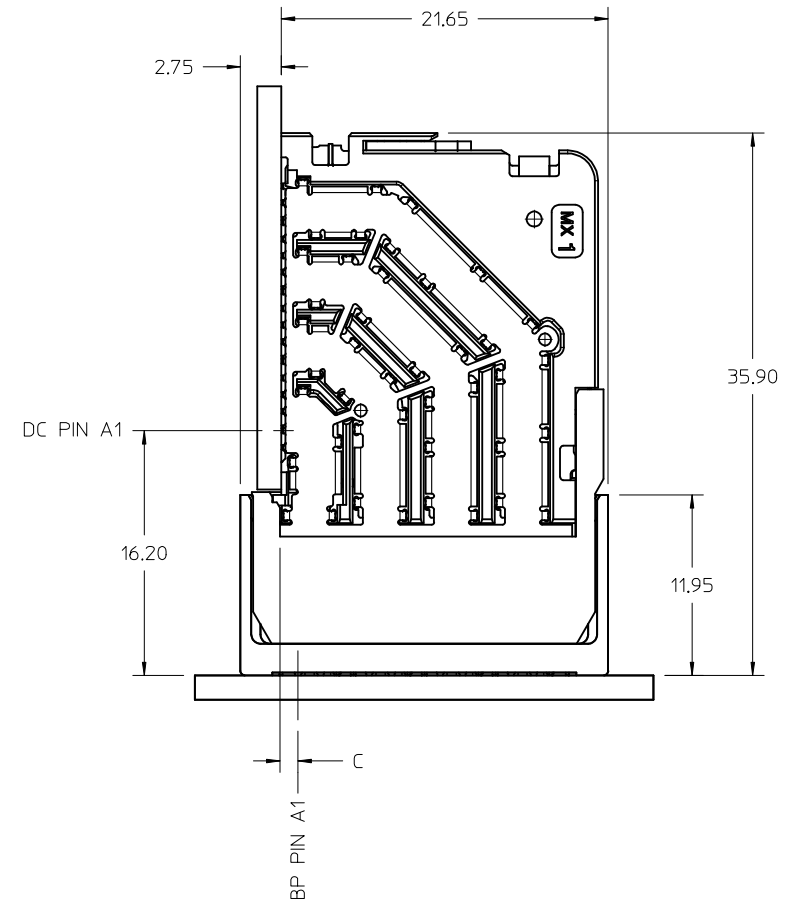


ADD 14-COL & SHEET 7 EC NO: UCP2016-0311 DRWING: VARVARA 2015/07/21 CHKD: APPR: TELO 2016/04/04 REV: A2	QUALITY SYMBOLS ▽=0 ▽=0 ▽=0	GENERAL TOLERANCES (UNLESS SPECIFIED) <table border="1"> <thead> <tr> <th></th> <th>mm</th> <th>INCH</th> </tr> </thead> <tbody> <tr> <td>4 PLACES</td> <td>± ---</td> <td>± ---</td> </tr> <tr> <td>3 PLACES</td> <td>± ---</td> <td>± ---</td> </tr> <tr> <td>2 PLACES</td> <td>± 0.13</td> <td>± ---</td> </tr> <tr> <td>1 PLACE</td> <td>± 0.25</td> <td>± ---</td> </tr> </tbody> </table>		mm	INCH	4 PLACES	± ---	± ---	3 PLACES	± ---	± ---	2 PLACES	± 0.13	± ---	1 PLACE	± 0.25	± ---	DIMENSION STYLE MM ONLY	SCALE 4:1	DESIGN UNITS METRIC	THIRD ANGLE PROJECTION
		mm	INCH																		
	4 PLACES	± ---	± ---																		
	3 PLACES	± ---	± ---																		
2 PLACES	± 0.13	± ---																			
1 PLACE	± 0.25	± ---																			
DRAFT WHERE APPLICABLE MUST REMAIN WITHIN DIMENSIONS	DRAWN BY B.JANOWIAK	DATE 2012/09/18	TITLE IMPEL 4 PAIR BACKPLANE UNGUIDED ASSEMBLY SALES DRAWING	MOLEX MOLEX INCORPORATED	SHEET NO. 1 OF 7																
	APPROVED BY JLAURX	DATE 2013/12/09	MATERIAL NO. SEE CHART	DOCUMENT NO. SD-171315-0001																	
			SIZE C	THIS DRAWING CONTAINS INFORMATION THAT IS PROPRIETARY TO MOLEX INCORPORATED AND SHOULD NOT BE USED WITHOUT WRITTEN PERMISSION																	

MATERIAL NUMBER	NUMBER OF COLUMNS	NUMBER OF DIFF PAIR	DIM "A"	DIM "B"	DIM "C"	DIM "P"	PTH ϕ
171315-1804	8	32	15.80	13.30	1.10	4.90	0.46±0.05
171315-1805	8	32	15.80	13.30	1.10	5.50	0.46±0.05
171315-1807	8	32	15.80	13.30	1.20	4.90	0.36±0.05
171315-1808	8	32	15.80	13.30	1.20	5.50	0.36±0.05
171315-1104	10	40	19.60	17.10	1.10	4.90	0.46±0.05
171315-1105	10	40	19.60	17.10	1.10	5.50	0.46±0.05
171315-1107	10	40	19.60	17.10	1.20	4.90	0.36±0.05
171315-1108	10	40	19.60	17.10	1.20	5.50	0.36±0.05
171315-1204	12	48	23.40	20.90	1.10	4.90	0.46±0.05
171315-1205	12	48	23.40	20.90	1.10	5.50	0.46±0.05
171315-1207	12	48	23.40	20.90	1.20	4.90	0.36±0.05
171315-1208	12	48	23.40	20.90	1.20	5.50	0.36±0.05
171315-1404	14	56	27.20	24.70	1.10	4.90	0.46±0.05
171315-1405	14	56	27.20	24.70	1.10	5.50	0.46±0.05
171315-1407	14	56	27.20	24.70	1.20	4.90	0.36±0.05
171315-1408	14	56	27.20	24.70	1.20	5.50	0.36±0.05
171315-1604	16	64	31.00	28.50	1.10	4.90	0.46±0.05
171315-1605	16	64	31.00	28.50	1.10	5.50	0.46±0.05
171315-1607	16	64	31.00	28.50	1.20	4.90	0.36±0.05
171315-1608	16	64	31.00	28.50	1.20	5.50	0.36±0.05



OPEN
WALL OPTION



MATED PART DIMENSIONS

171315-1***

MODULE TYPE
1 = UNGUIDED

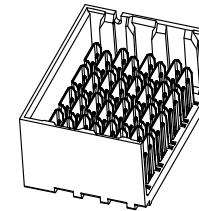
OF COLUMNS
8 = 8 COL
1 = 10 COL
2 = 12 COL
4 = 14 COL
6 = 16 COL

PIN LENGTH (P)
4 = 4.90 (0.46 PTH)
5 = 5.50 (0.46 PTH)
7 = 4.90 (0.36 PTH)
8 = 5.50 (0.36 PTH)

HOUSING STYLE
0 = OPEN ENDS
1 = LEFT END WALL
2 = DUAL END WALL
3 = RIGHT END WALL

SEE SHEET 1 EC NO: UCP2016-0311 DRWNG: VYVARA 2015/07/21 CHKD: APPR: TELO 2016/04/04	QUALITY SYMBOLS 	GENERAL TOLERANCES (UNLESS SPECIFIED)		DIMENSION STYLE MM ONLY	SCALE 4:1	DESIGN UNITS METRIC	THIRD ANGLE PROJECTION
		4 PLACES ± --- ± --- 3 PLACES ± --- ± --- 2 PLACES ± 0.13 ± --- 1 PLACE ± 0.25 ± --- ANGULAR ± 1/2°	mm INCH ± --- ± --- ± --- ± --- ± --- ± --- ± --- ± ---	DRAWN BY B.JANOWIAK	DATE 2012/09/18	TITLE IMPEL 4 PAIR BACKPLANE UNGUIDED ASSEMBLY SALES DRAWING	MOLEX INCORPORATED
A2	REV	DRAFT WHERE APPLICABLE MUST REMAIN WITHIN DIMENSIONS		APPROVED BY JLAURX	DATE 2013/12/09	SHEET NO. 2 OF 7	THIS DRAWING CONTAINS INFORMATION THAT IS PROPRIETARY TO MOLEX INCORPORATED AND SHOULD NOT BE USED WITHOUT WRITTEN PERMISSION

MATERIAL NUMBER	NUMBER OF COLUMNS	NUMBER OF DIFF PAIR	DIM "A"	DIM "B"	DIM "C"	DIM "P"	PTH ϕ
171315-1814	8	32	17.20	13.30	1.10	4.90	0.46±0.05
171315-1815	8	32	17.20	13.30	1.10	5.50	0.46±0.05
171315-1817	8	32	17.20	13.30	1.20	4.90	0.36±0.05
171315-1818	8	32	17.20	13.30	1.20	5.50	0.36±0.05
171315-1114	10	40	21.00	17.10	1.10	4.90	0.46±0.05
171315-1115	10	40	21.00	17.10	1.10	5.50	0.46±0.05
171315-1117	10	40	21.00	17.10	1.20	4.90	0.36±0.05
171315-1118	10	40	21.00	17.10	1.20	5.50	0.36±0.05
171315-1214	12	48	24.80	20.90	1.10	4.90	0.46±0.05
171315-1215	12	48	24.80	20.90	1.10	5.50	0.46±0.05
171315-1217	12	48	24.80	20.90	1.20	4.90	0.36±0.05
171315-1218	12	48	24.80	20.90	1.20	5.50	0.36±0.05
171315-1414	14	56	28.60	24.70	1.10	4.90	0.46±0.05
171315-1415	14	56	28.60	24.70	1.10	5.50	0.46±0.05
171315-1417	14	56	28.60	24.70	1.20	4.90	0.36±0.05
171315-1418	14	56	28.60	24.70	1.20	5.50	0.36±0.05
171315-1614	16	64	32.40	28.50	1.10	4.90	0.46±0.05
171315-1615	16	64	32.40	28.50	1.10	5.50	0.46±0.05
171315-1617	16	64	32.40	28.50	1.20	4.90	0.36±0.05
171315-1618	16	64	32.40	28.50	1.20	5.50	0.36±0.05



LEFT END WALL OPTION

171315-1***

MODULE TYPE
1 = UNGUIDED

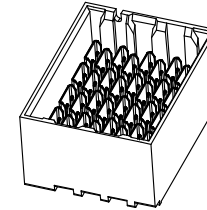
OF COLUMNS
8 = 8 COL
1 = 10 COL
2 = 12 COL
4 = 14 COL
6 = 16 COL

PIN LENGTH (P)
4 = 4.90 (0.46 PTH)
5 = 5.50 (0.46 PTH)
7 = 4.90 (0.36 PTH)
8 = 5.50 (0.36 PTH)

HOUSING STYLE
0 = OPEN ENDS
1 = LEFT END WALL
2 = DUAL END WALL
3 = RIGHT END WALL

SEE SHEET 1 EC NO: UCP2016-0311 DRWNG: DVARVARA 2015/07/21 CHKD: APPR: TELO 2016/04/04 REV:	QUALITY SYMBOLS	GENERAL TOLERANCES (UNLESS SPECIFIED)	DIMENSION STYLE MM ONLY	SCALE 4:1	DESIGN UNITS METRIC	THIRD ANGLE PROJECTION
	$\nabla = 0$	4 PLACES \pm ---	mm INCH	DRAWN BY BJANOWIAK	DATE 2012/09/18	TITLE IMPEL 4 PAIR BACKPLANE UNGUIDED ASSEMBLY SALES DRAWING
	$\nabla = 0$	3 PLACES \pm ---		CHECKED BY	DATE	molex DOCUMENT NO. SD-171315-0001 SHEET NO. 3 OF 7
	$\nabla = 0$	2 PLACES ± 0.13		APPROVED BY JLAURX	DATE 2013/12/09	
	1 PLACE ± 0.25	ANGULAR $\pm 1/2^\circ$	MATERIAL NO.	SEE CHART		
	0 PLACE \pm ---	DRAFT WHERE APPLICABLE MUST REMAIN WITHIN DIMENSIONS	SIZE	THIS DRAWING CONTAINS INFORMATION THAT IS PROPRIETARY TO MOLEX INCORPORATED AND SHOULD NOT BE USED WITHOUT WRITTEN PERMISSION		

MATERIAL NUMBER	NUMBER OF COLUMNS	NUMBER OF DIFF PAIR	DIM "A"	DIM "B"	DIM "C"	DIM "P"	PTH ϕ
171315-1824	8	32	18.60	13.30	1.10	4.90	0.46+0.05
171315-1825	8	32	18.60	13.30	1.10	5.50	0.46+0.05
171315-1827	8	32	18.60	13.30	1.20	4.90	0.36+0.05
171315-1828	8	32	18.60	13.30	1.20	5.50	0.36+0.05
171315-1124	10	40	22.40	17.10	1.10	4.90	0.46+0.05
171315-1125	10	40	22.40	17.10	1.10	5.50	0.46+0.05
171315-1127	10	40	22.40	17.10	1.20	4.90	0.36+0.05
171315-1128	10	40	22.40	17.10	1.20	5.50	0.36+0.05
171315-1224	12	48	26.20	20.90	1.10	4.90	0.46+0.05
171315-1225	12	48	26.20	20.90	1.10	5.50	0.46+0.05
171315-1227	12	48	26.20	20.90	1.20	4.90	0.36+0.05
171315-1228	12	48	26.20	20.90	1.20	5.50	0.36+0.05
171315-1424	14	56	30.00	24.70	1.10	4.90	0.46+0.05
171315-1425	14	56	30.00	24.70	1.10	5.50	0.46+0.05
171315-1427	14	56	30.00	24.70	1.20	4.90	0.36+0.05
171315-1428	14	56	30.00	24.70	1.20	5.50	0.36+0.05
171315-1624	16	64	33.80	28.50	1.10	4.90	0.46+0.05
171315-1625	16	64	33.80	28.50	1.10	5.50	0.46+0.05
171315-1627	16	64	33.80	28.50	1.20	4.90	0.36+0.05
171315-1628	16	64	33.80	28.50	1.20	5.50	0.36+0.05



DUAL END WALL OPTION

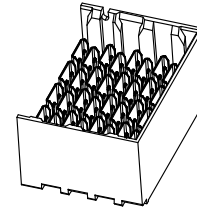
171315-1***

MODULE TYPE ————— PIN LENGTH (P)
 1 = UNGUIDED
 4 = 4.90 (0.46 PTH)
 5 = 5.50 (0.46 PTH)
 7 = 4.90 (0.36 PTH)
 8 = 5.50 (0.36 PTH)

OF COLUMNS ————— HOUSING STYLE
 8 = 8 COL
 1 = 10 COL
 2 = 12 COL
 4 = 14 COL
 6 = 16 COL
 0 = OPEN ENDS
 1 = LEFT END WALL
 2 = DUAL END WALL
 3 = RIGHT END WALL

SEE SHEET 1 EC NO: UCP2016-0311 DRWNG: DVARVARA 2015/07/21 CHKD: APPR: TELO 2016/04/04	QUALITY SYMBOLS	GENERAL TOLERANCES (UNLESS SPECIFIED)	DIMENSION STYLE MM ONLY	SCALE 4:1	DESIGN UNITS METRIC	THIRD ANGLE PROJECTION
	▽=0	mm INCH	DRAWN BY DATE BJANOWIAK 2012/09/18	TITLE IMPEL 4 PAIR BACKPLANE UNGUIDED ASSEMBLY SALES DRAWING		
	▽=0	4 PLACES ± --- ± ---	CHECKED BY DATE	molex		
	▽=0	3 PLACES ± --- ± ---	APPROVED BY DATE JLAURX 2013/12/09			
	2 PLACES ± 0.13 ± ---	MATERIAL NO. SEE CHART		DOCUMENT NO. SD-171315-0001	SHEET NO. 4 OF 7	
	1 PLACE ± 0.25 ± ---	DRAFT WHERE APPLICABLE MUST REMAIN WITHIN DIMENSIONS				
	0 PLACE ± --- ± ---	ANGULAR ±1/2°				
A2		THIS DRAWING CONTAINS INFORMATION THAT IS PROPRIETARY TO MOLEX INCORPORATED AND SHOULD NOT BE USED WITHOUT WRITTEN PERMISSION				

MATERIAL NUMBER	NUMBER OF COLUMNS	NUMBER OF DIFF PAIR	DIM "A"	DIM "B"	DIM "C"	DIM "P"	PTH ϕ
171315-1834	8	32	17.20	13.30	1.10	4.90	0.46±0.05
171315-1835	8	32	17.20	13.30	1.10	5.50	0.46±0.05
171315-1837	8	32	17.20	13.30	1.20	4.90	0.36±0.05
171315-1838	8	32	17.20	13.30	1.20	5.50	0.36±0.05
171315-1134	10	40	21.00	17.10	1.10	4.90	0.46±0.05
171315-1135	10	40	21.00	17.10	1.10	5.50	0.46±0.05
171315-1137	10	40	21.00	17.10	1.20	4.90	0.36±0.05
171315-1138	10	40	21.00	17.10	1.20	5.50	0.36±0.05
171315-1234	12	48	24.80	20.90	1.10	4.90	0.46±0.05
171315-1235	12	48	24.80	20.90	1.10	5.50	0.46±0.05
171315-1237	12	48	24.80	20.90	1.20	4.90	0.36±0.05
171315-1238	12	48	24.80	20.90	1.20	5.50	0.36±0.05
171315-1434	14	56	28.60	24.70	1.10	4.90	0.46±0.05
171315-1435	14	56	28.60	24.70	1.10	5.50	0.46±0.05
171315-1437	14	56	28.60	24.70	1.20	4.90	0.36±0.05
171315-1438	14	56	28.60	24.70	1.20	5.50	0.36±0.05
171315-1634	16	64	32.40	28.50	1.10	4.90	0.46±0.05
171315-1635	16	64	32.40	28.50	1.10	5.50	0.46±0.05
171315-1637	16	64	32.40	28.50	1.20	4.90	0.36±0.05
171315-1638	16	64	32.40	28.50	1.20	5.50	0.36±0.05



RIGHT END WALL OPTION

171315-1***

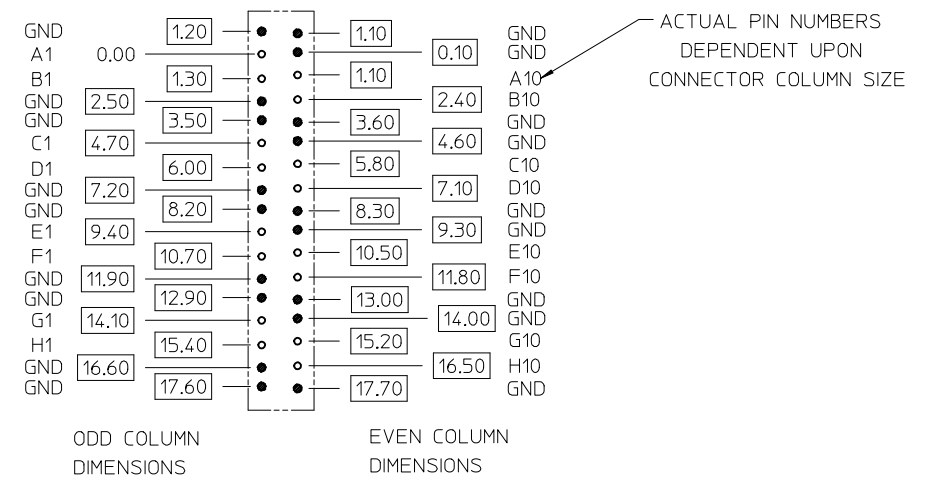
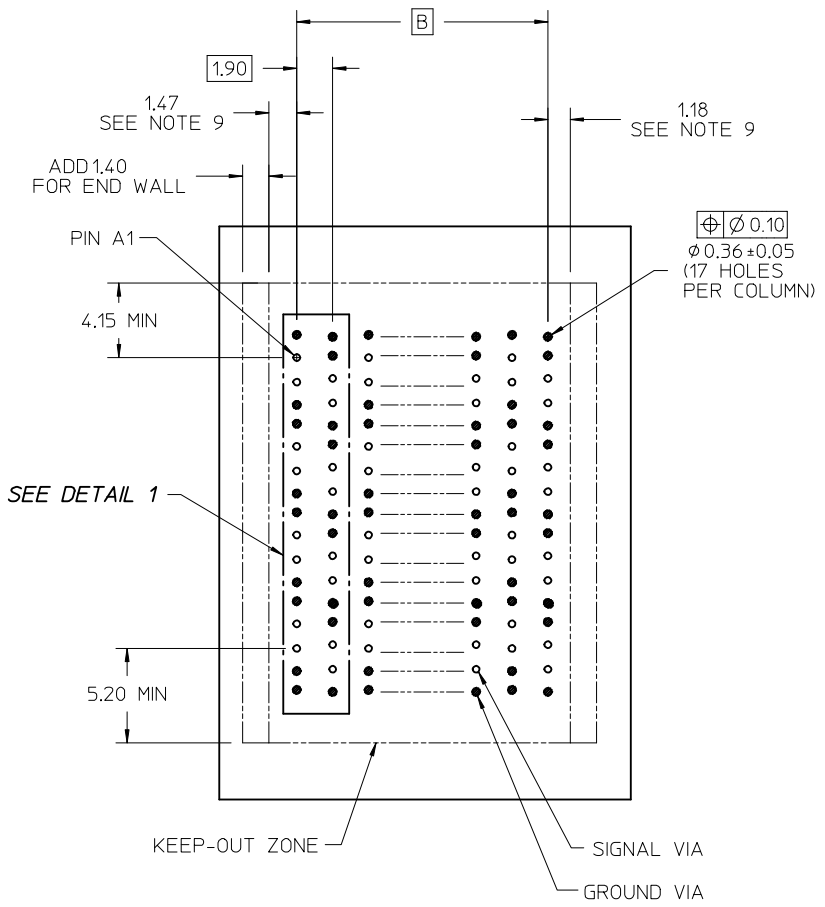
MODULE TYPE
1 = UNGUIDED

OF COLUMNS
8 = 8 COL
1 = 10 COL
2 = 12 COL
4 = 14 COL
6 = 16 COL

PIN LENGTH (P)
4 = 4.90 (0.46 PTH)
5 = 5.50 (0.46 PTH)
7 = 4.90 (0.36 PTH)
8 = 5.50 (0.36 PTH)

HOUSING STYLE
0 = OPEN ENDS
1 = LEFT END WALL
2 = DUAL END WALL
3 = RIGHT END WALL

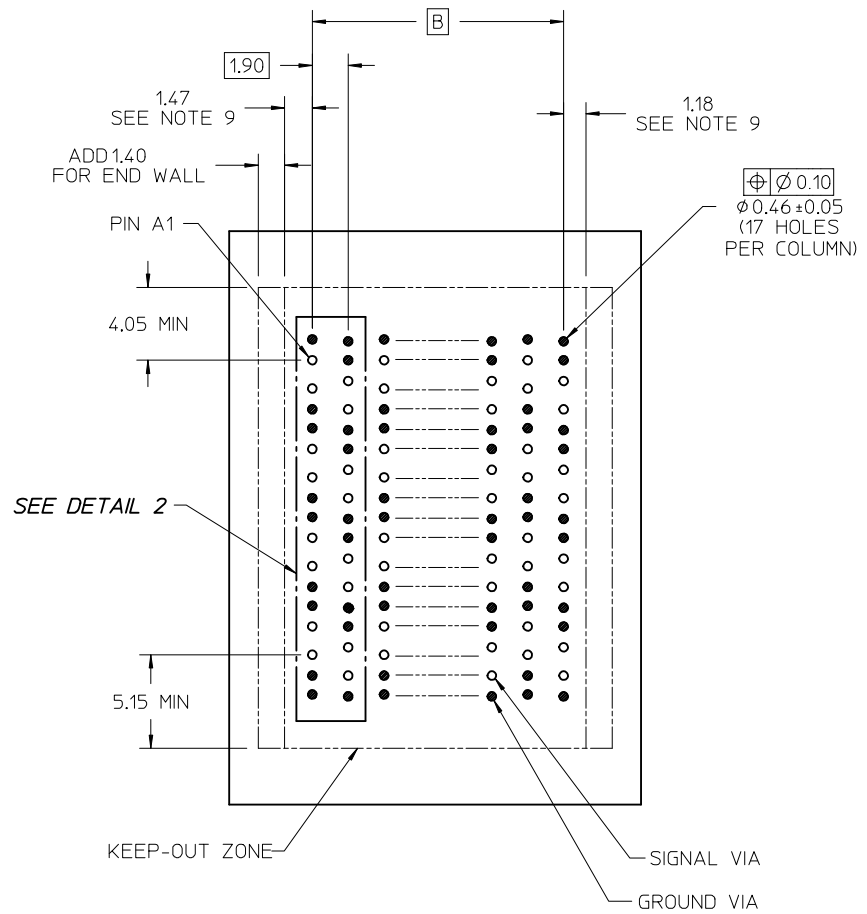
SEE SHEET 1 EC NO: UCP2016-0311 DRWNG: DVARVARA 2015/07/21 CHKD: APPR: TELO 2016/04/04 REV:	QUALITY SYMBOLS	GENERAL TOLERANCES (UNLESS SPECIFIED)	DIMENSION STYLE MM ONLY	SCALE 4:1	DESIGN UNITS METRIC	THIRD ANGLE PROJECTION
	▽=0	mm INCH	DRAWN BY DATE BJANOWIAK 2012/09/18	TITLE IMPEL 4 PAIR BACKPLANE UNGUIDED ASSEMBLY SALES DRAWING		
	▽=0	4 PLACES ± --- ± ---	CHECKED BY DATE	molex DOCUMENT NO. SD-171315-0001 SHEET NO. 5 OF 7		
	▽=0	3 PLACES ± --- ± ---	APPROVED BY DATE JLAURX 2013/12/09			
	2 PLACES ±0.13 ± ---	MATERIAL NO. SEE CHART				
	1 PLACE ±0.25 ± ---	DRAFT WHERE APPLICABLE MUST REMAIN WITHIN DIMENSIONS				
	0 PLACE ± --- ± ---	ANGULAR ±1/2° SIZE C THIS DRAWING CONTAINS INFORMATION THAT IS PROPRIETARY TO MOLEX INCORPORATED AND SHOULD NOT BE USED WITHOUT WRITTEN PERMISSION				



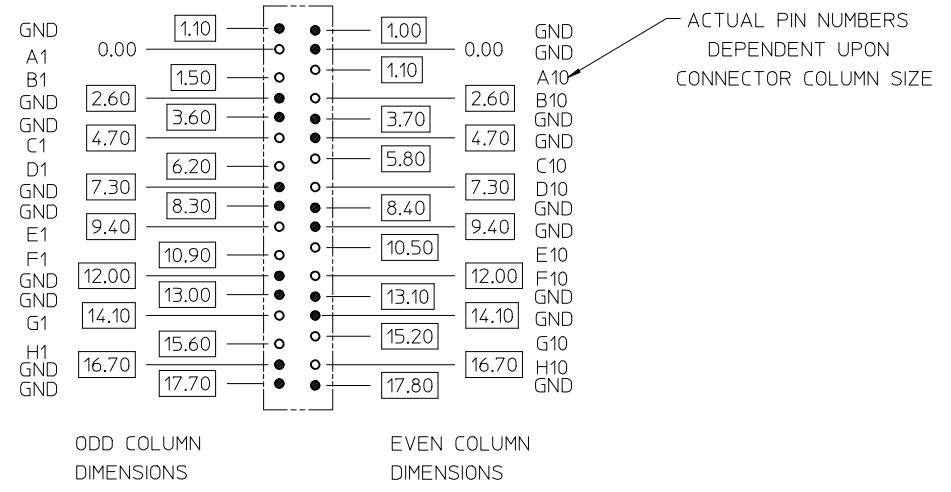
DETAIL 1
SCALE 5:1

BACKPLANE HOLE PATTERN
FOR $\phi 0.36$ PTH
(CONNECTOR SIDE)

SEE SHEET 1 EC NO: UCP2016-0311 DRWN: DVARVARA 2015/07/21 CHKD: APPR: TELO 2016/04/04 A2	QUALITY SYMBOLS	GENERAL TOLERANCES (UNLESS SPECIFIED)	DIMENSION STYLE MM ONLY	SCALE 5:1	DESIGN UNITS METRIC	THIRD ANGLE PROJECTION
	$\nabla = 0$	4 PLACES ± --- ± ---	mm INCH	DRAWN BY BJANOWIAK	DATE 2012/09/18	TITLE IMPEL 4 PAIR BACKPLANE UNGUIDED ASSEMBLY SALES DRAWING
	$\nabla = 0$	3 PLACES ± --- ± ---		CHECKED BY	DATE	MOLEX INCORPORATED DOCUMENT NO. SD-171315-0001 SHEET NO. 6 OF 7
	$\nabla = 0$	2 PLACES ± 0.13 ± ---		APPROVED BY JLAURX	DATE 2013/12/09	
		1 PLACE ± 0.25 ± ---		MATERIAL NO. SEE CHART		SIZE THIS DRAWING CONTAINS INFORMATION THAT IS PROPRIETARY TO MOLEX INCORPORATED AND SHOULD NOT BE USED WITHOUT WRITTEN PERMISSION
		ANGULAR ± 1/2°	DRAFT WHERE APPLICABLE MUST REMAIN WITHIN DIMENSIONS			



BACKPLANE HOLE PATTERN
FOR $\phi 0.46$ PTH
(CONNECTOR SIDE)



DETAIL 2
SCALE 5:1

SEE SHEET 1 EC NO: UCP2016-0311 DRWINDYARVARA 2015/07/21 CHKD: APPR:TELO 2016/04/04 REV: A2	QUALITY SYMBOLS	GENERAL TOLERANCES (UNLESS SPECIFIED)	DIMENSION STYLE MM ONLY	SCALE 4:1	DESIGN UNITS METRIC	THIRD ANGLE PROJECTION
	$\nabla=0$	mm INCH	DRAWN BY DATE BJANOWIAK 2012/09/18	TITLE	IMPEL 4 PAIR BACKPLANE UNGUIDED ASSEMBLY SALES DRAWING	
	$\nabla=0$	4 PLACES \pm --- \pm ---	CHECKED BY DATE	APPROVED BY DATE JLAURX 2013/12/09	molex	
	$\nabla=0$	3 PLACES \pm --- \pm --- 2 PLACES ± 0.13 \pm --- 1 PLACE ± 0.25 \pm --- 0 PLACE \pm --- \pm ---	ANGULAR $\pm 1/2^\circ$	MATERIAL NO. SEE CHART	DOCUMENT NO. SD-171315-0001	SHEET NO. 7 OF 7
DRAFT WHERE APPLICABLE MUST REMAIN WITHIN DIMENSIONS			THIS DRAWING CONTAINS INFORMATION THAT IS PROPRIETARY TO MOLEX INCORPORATED AND SHOULD NOT BE USED WITHOUT WRITTEN PERMISSION			