

4

3

2

1

THIS DRAWING IS UNPUBLISHED.

RELEASED FOR PUBLICATION

20

LOC

DIST

REVISIONS

© COPYRIGHT 20 BY TYCO ELECTRONICS CORPORATION. ALL RIGHTS RESERVED.

DS

-

P

LTR

DESCRIPTION

DATE

DWN

APVD

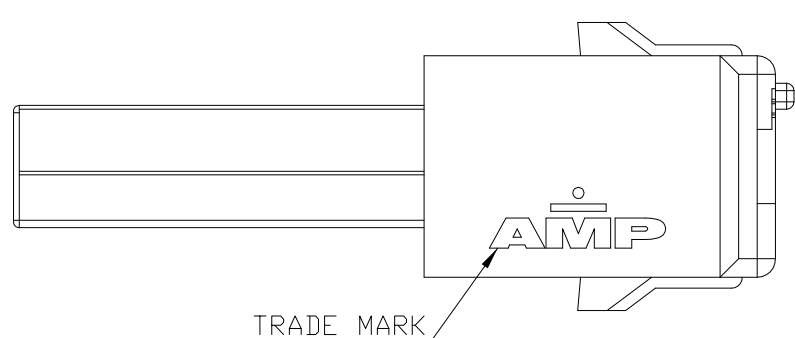
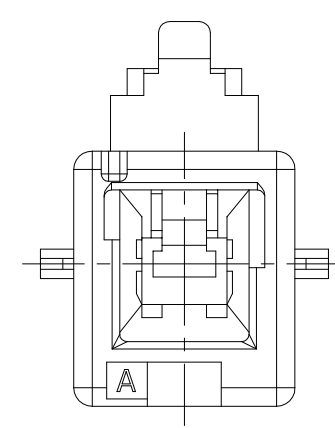
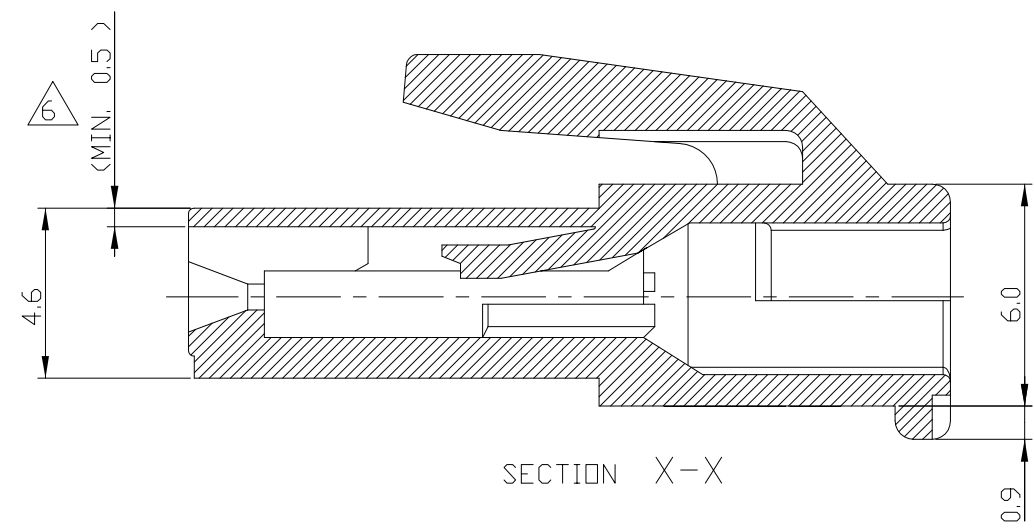
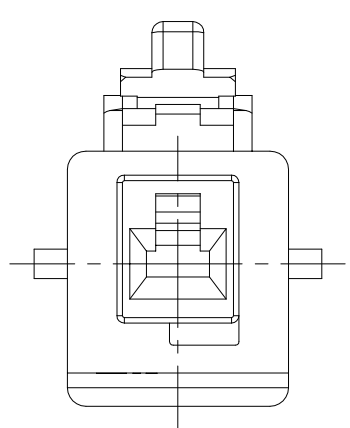
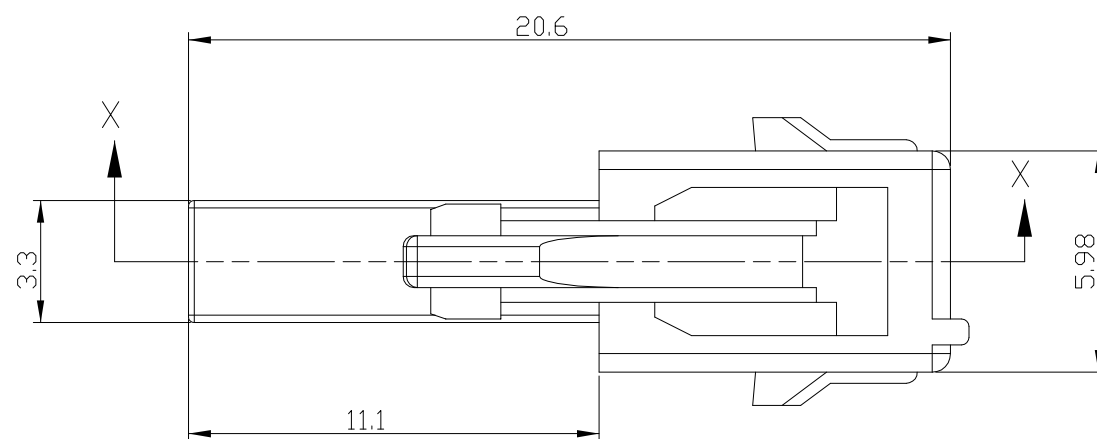
A

RELEASED

01.OCT'09

SC

JK



NOTE;

- 1.APPLICABLE CONTACT P/N
-REC CONTACT:177915- □(AWG#16-#20)
:177914- □(AWG#22-#26)
- 2.MATING CONN.P/N
-TAB CONTACT:177917- □(AWG#16-#20)
177916- □(AWG#22-#26)
- 3.APPLICABLE DOUBLE LOCK PLATE:316770-1
*IT SHOULD BE USED CERTAINLY WHEN CABLE ASS'Y
- 4.GENERAL TOLERANCES:±0.3
- 5.ACCORDING TO IEC 60335-1 4.2 EDITION
-PART MEETS GWT 750°& 850°C.
-MATERIAL MEETS BALL PRESSURE TESTING AT 125°C.
-MATERIAL HAS CTI VALUE OF 250V.
- △MIN.THICKNESS OF INSULATING WALL

2005246-9	BLACK
2005246-6	BLUE
2005246-4	YELLOW
2005246-2	RED
2005246-1	NATURAL
P/N	COLOR

THIS DRAWING IS A CONTROLLED DOCUMENT FOR TYCO ELECTRONICS CORPORATION IT IS SUBJECT TO CHANGE AND THE CONTROLLING ENGINEERING ORGANIZATION SHOULD BE CONTACTED FOR THE LATEST REVISION.		DWN SC KIM	AMP KOREA Kyungsan, Korea	
DIMENSIONS: mm		CHK BW KANG	NAME PDL 1P PLUG HSG (GWT)	
TOLERANCES UNLESS OTHERWISE SPECIFIED: 0 PLC ±- 1 PLC ±0.1 2 PLC ±0.01 3 PLC ±0.001 4 PLC ±0.0001 ANGLES ±-		APVD JK SONG	PRODUCT SPEC 108-61106	
MATERIAL PA66 (UL94V-0)		FINISH -	APPLICATION SPEC -	RESTRICTED TO -
		WEIGHT -	SIZE A3	CAGE CODE 00779
		DRAWING NO 2005246		REV A
		CUSTOMER DRAWING		SCALE 5:1
		SHEET 1		OF 1