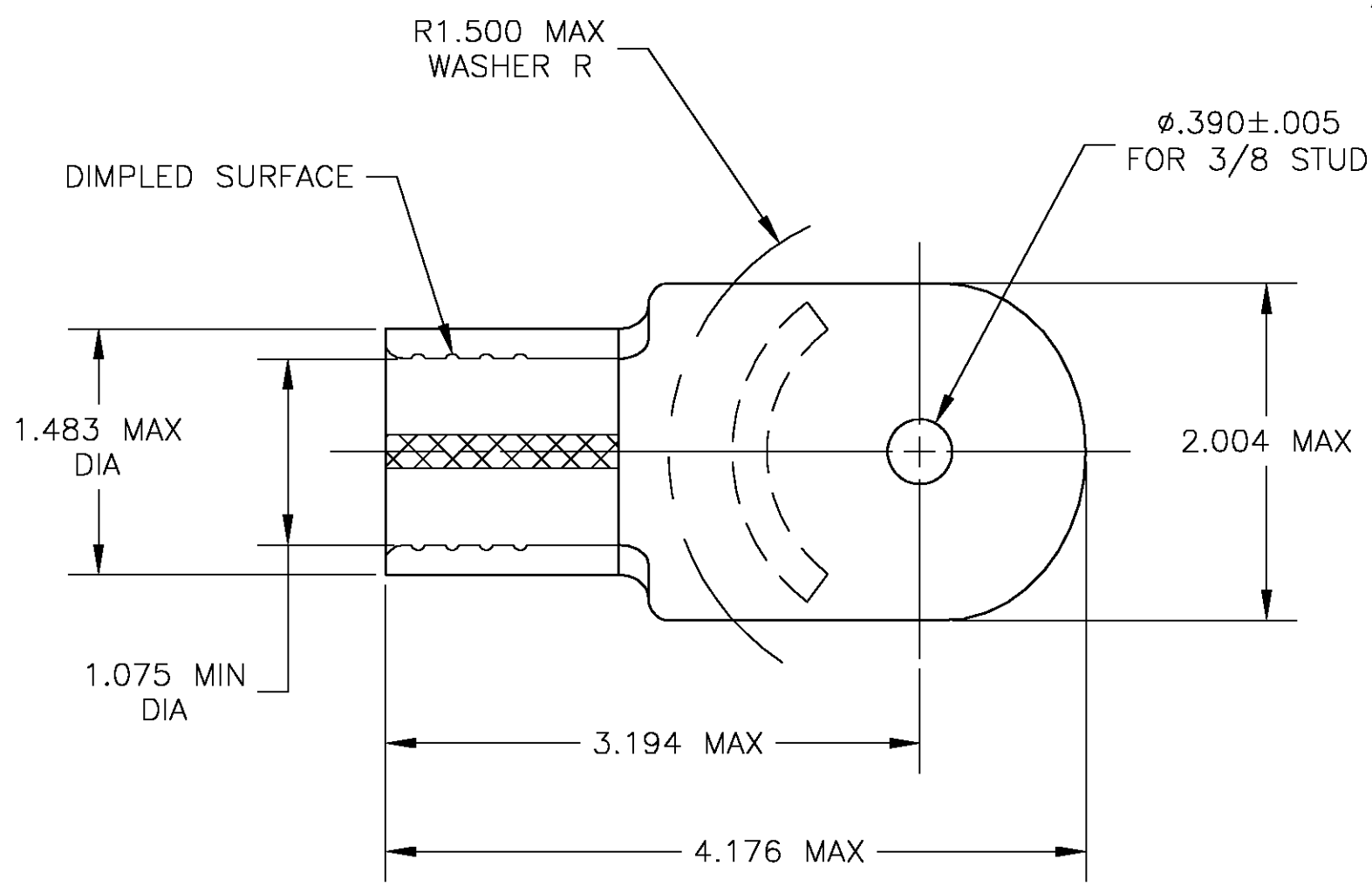


THIS DRAWING IS UNPUBLISHED. RELEASED FOR PUBLICATION
 © COPYRIGHT BY TYCO ELECTRONICS CORPORATION. ALL RIGHTS RESERVED.

LOC	DIST	REVISIONS					
		P	LTR	DESCRIPTION	DATE	DWN	APVD
G	14		B	REV PER 0G3A-0294-04	16APR04	JR	MS

- 1 TONGUE MATERIAL THICKNESS IS $.178 \pm .004$
- △2 COPPER PER ASTM B-152, ANNEALED
- △3 TIN PLATE PER ASTM B-545



322772
 PART NO

THIS DRAWING IS A CONTROLLED DOCUMENT.		DWN jr_ruth 16APR04	Tyco Electronics Corporation Harrisburg, PA 17105		
DIMENSIONS: INCHES	TOLERANCES UNLESS OTHERWISE SPECIFIED:	CHK MJ SPICER 16APR04	NAME		
	0 PLC ± -	APVD MJ SPICER 16APR04	WIRE TERMINAL		
	1 PLC ± -	PRODUCT SPEC	SOLISTRAND, RING TONGUE,		
	2 PLC ± -	APPLICATION SPEC	WIRE SIZE: 500-600 MCM		
	3 PLC ± .008	WEIGHT	SIZE	CAGE CODE	DRAWING NO
	4 PLC ± -		A3	00779	C-322772
	ANGLES ± 5°	CUSTOMER DRAWING	SCALE	SHEET	REV
MATERIAL - △2	FINISH - △3		1:1	1 OF 1	B