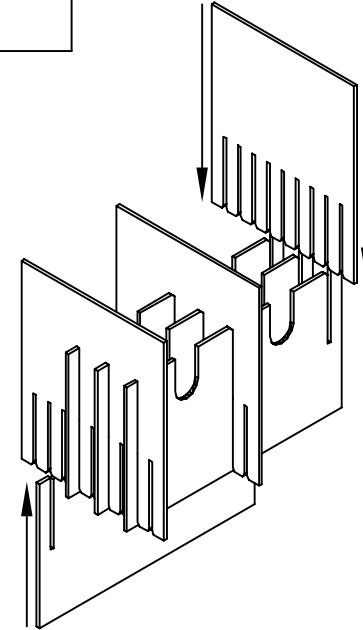
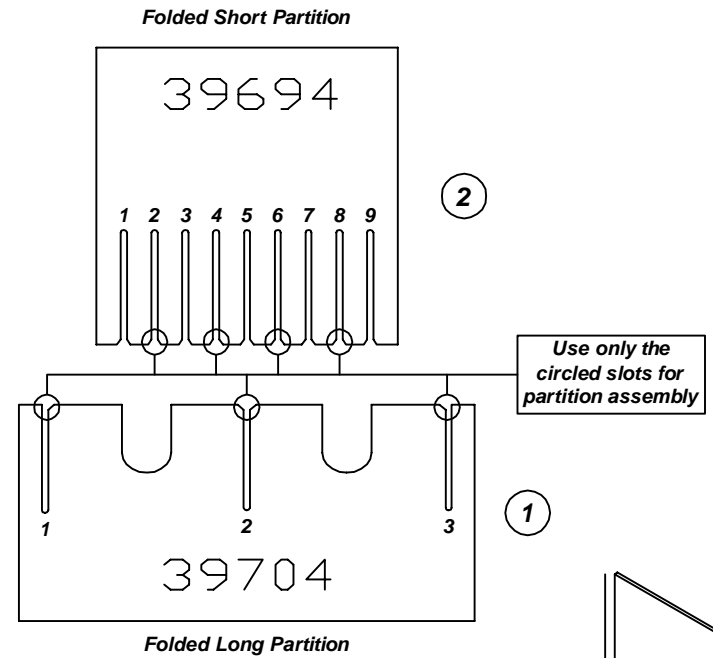
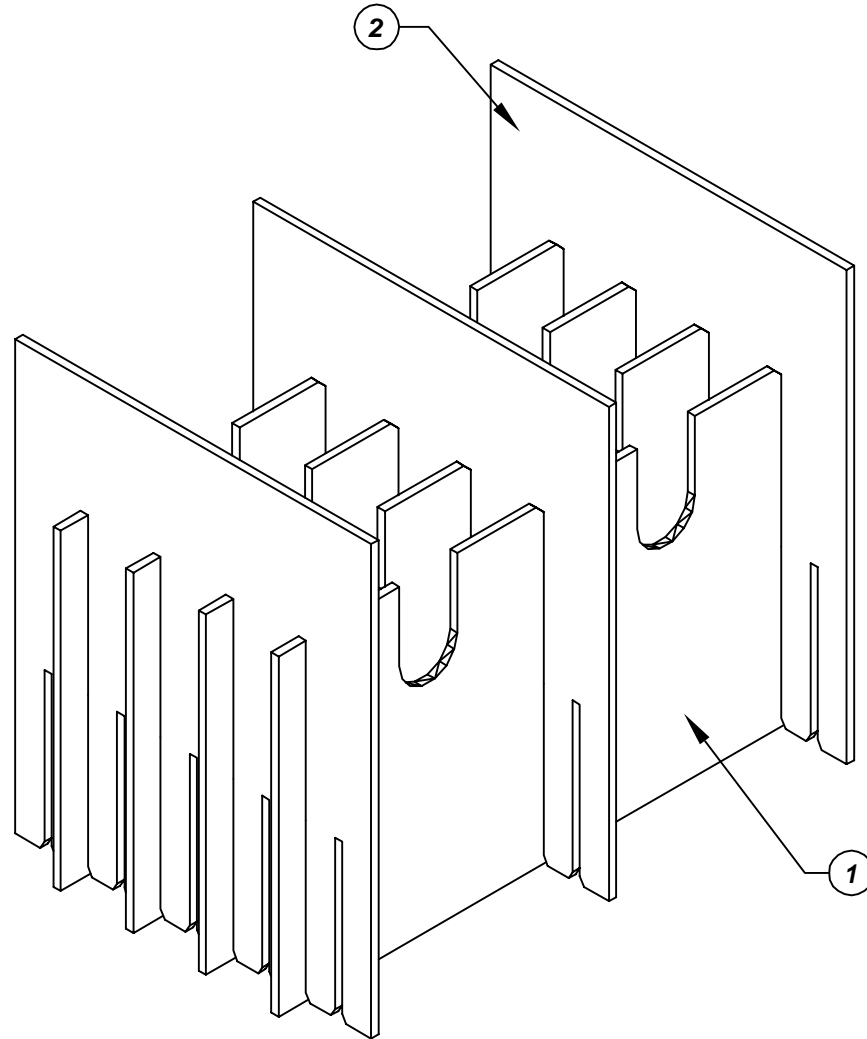


Assembly Instructions for - 37311



Made in America

F/N ①	Part # 39704	Dimensions: 21-3/4" x 18-1/2"	Description: 459/452/455-LP Long Partition	Qty: 4
F/N ②	Part # 39694	Dimensions: 29-3/4" x 12-1/4"	Description: 455-SP Short Partition	Qty: 3

37311 - 10 Cell Inplant Handler
Cell Size - 14-3/4" x 7-3/4" x 2-1/4"

Notes:
 For use with the following storage container & lid:
 37519 - Storage Container
 37553 - Lid

PROTEKTIVE PAK
 13520 MONTE VISTA AVENUE, CHINO, CA 91710
 PHONE (909) 627-2578, FAX (909) 363-7331
 ProtektivePak.com



DRAWING NUMBER
IPH-37311

DATE
 Dec.
 2007