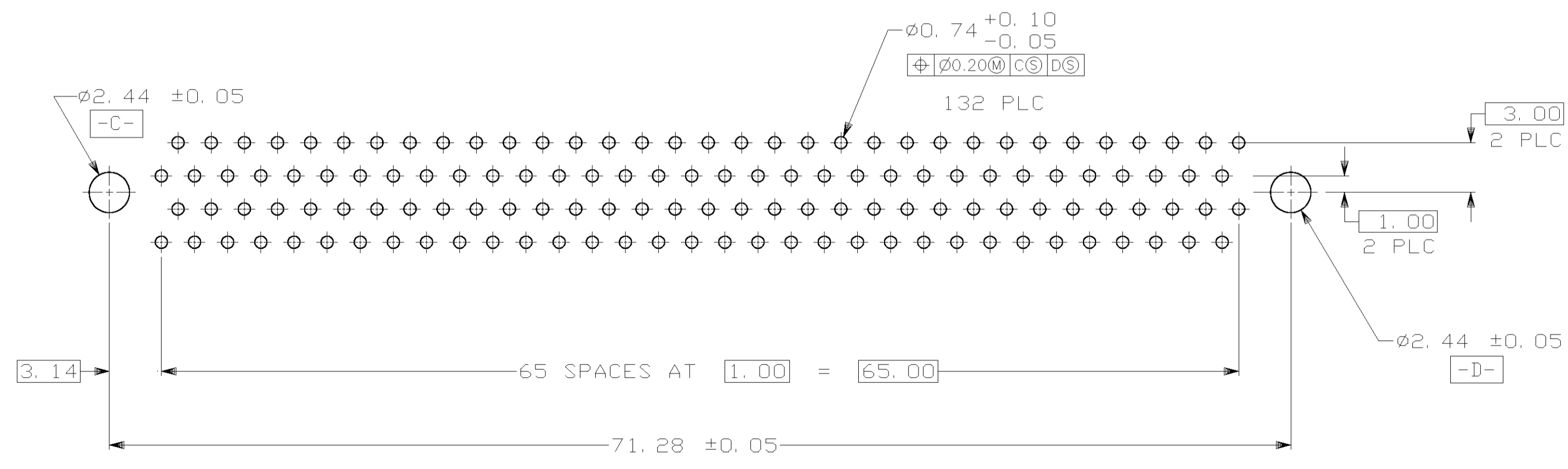
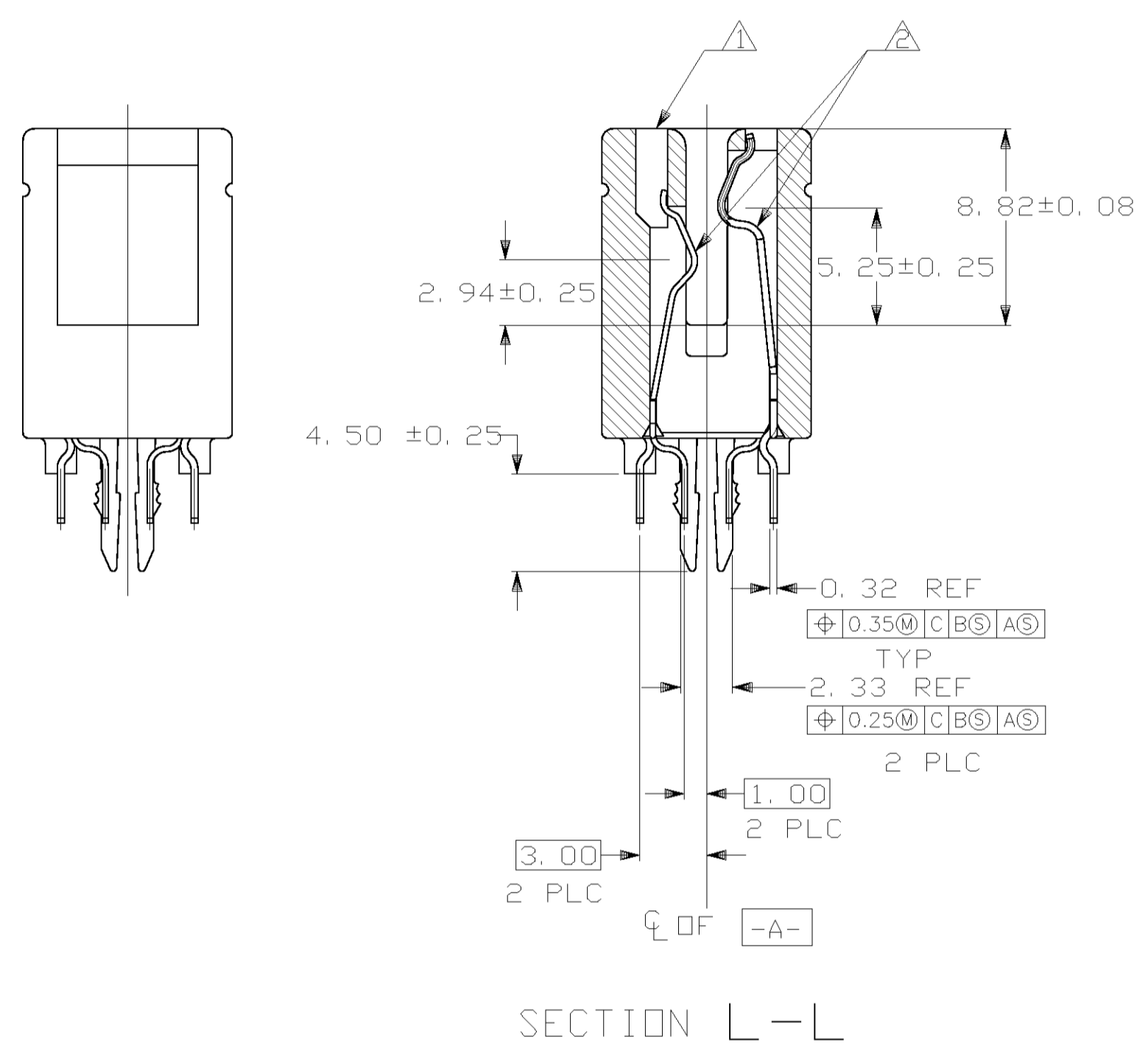
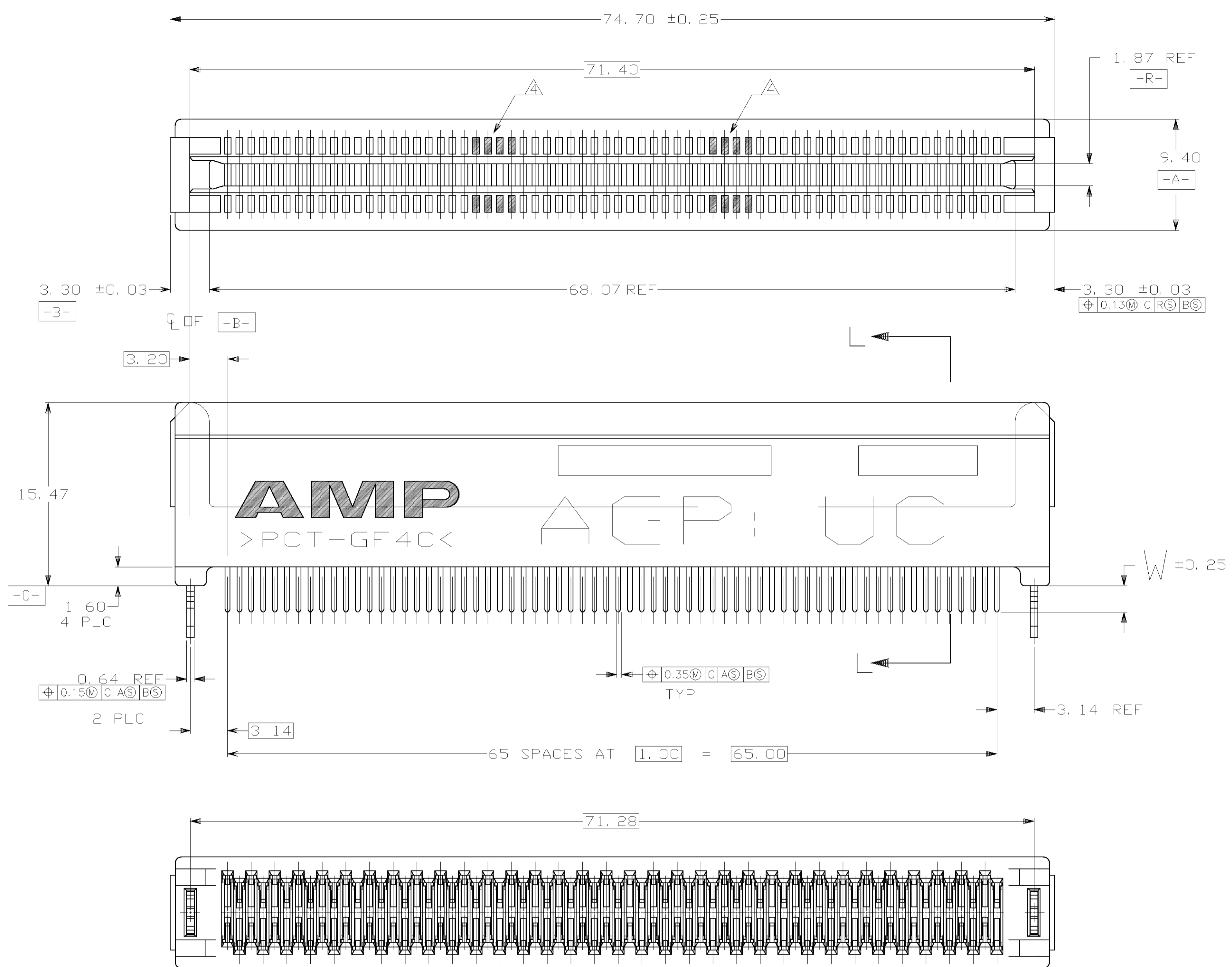


REVISONS		DATE	DWN	APVD
A	RELEASED ECR-09-010116	08MAY09	AZ	SY
A1	REVISED PER ECO-09-024927	08JAN10	KK	AEG



RECOMMENDED CONNECTOR MOUNTING HOLE PATTERN
 (CONNECTOR SIDE SHOWN)

- △ MATERIAL: HOUSING, THERMOPLASTIC, COLOR: BROWN. CONTACTS, PHOSPHOR BRONZE. HOLD-DOWNS, BRASS.
- △ FINISH: CONTACTS, 1.27 MIN. MICROMETERS NICKEL ALL OVER, 0.38 MIN. MICROMETERS GOLD OVER NICKEL IN CONTACT AREA, 2.54 MIN MICROMETERS TIN OVER NICKEL ON SOLDER TAILS.
- △ REFER TO INTEL ACCELERATED GRAPHICS PORT INTERFACE SPECIFICATION FOR RECOMMENDED MATING PAD PATTERNS FOR AGP 1X, 2X AND 4X BOARDS.
- △ SHADED CONTACT LOCATIONS ARE AT RISK OF DAMAGE DURING MATING AND UNMATING WITH AGP-1X AND AGP-2X/4X CIRCUITS.
- △ FINISH: CONTACTS, 1.27 MIN. MICROMETERS NICKEL ALL OVER, 0.0254-0.0762 MICROMETERS GOLD OVER NICKEL IN CONTACT AREA, 2.54 MIN. MICROMETERS TIN OVER NICKEL ON SOLDER TAILS.
- △ OBSOLETE PARTS: OBSOLETE CIS STREAMLINING PER D. RENAUD/D. SINISI

OBSOLETE	△	3.18	5145376-6
	△	2.54	5145376-5
	△	3.18	5145376-3
	△	2.54	5145376-2
	△	2.16	5145376-1
PLATING	W		PART NO

THIS DRAWING IS A CONTROLLED DOCUMENT.

DIMENSIONS: mm	TOLERANCES UNLESS OTHERWISE SPECIFIED:	DWN: GAVIN ZHANG 23MAR05	APVD: J. ENOMOTO 23MAR05	NAME: ASSEMBLY, 132 POSITION 1mm, CARD EDGE CONNECTOR
0 PLC ± -	1 PLC ± 0.13	CIR: STEVEN YAO 23MAR05	PRODUCT SPEC: -	SIZE: A1
2 PLC ± -	3 PLC ± -	APVD: J. ENOMOTO 23MAR05	APPLICATION SPEC: -	SCALE: 4:1
4 PLC ± -	ANGLES ± °	WEIGHT: -	RESTRICTED TO: -	SHEET 1 OF 1
MATERIAL: △	FINISH: △△	CUSTOMER DRAWING	SCALE: 4:1	REV A1

Tyco Electronics Corporation
 Shanghai, P.R.China, 200233

00779 C=5145376