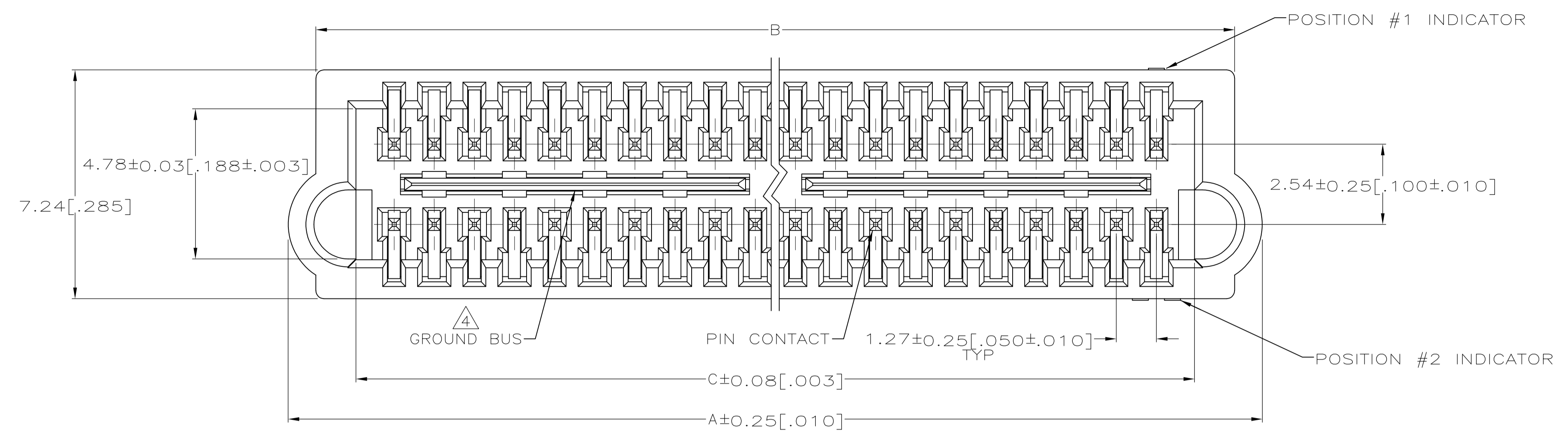
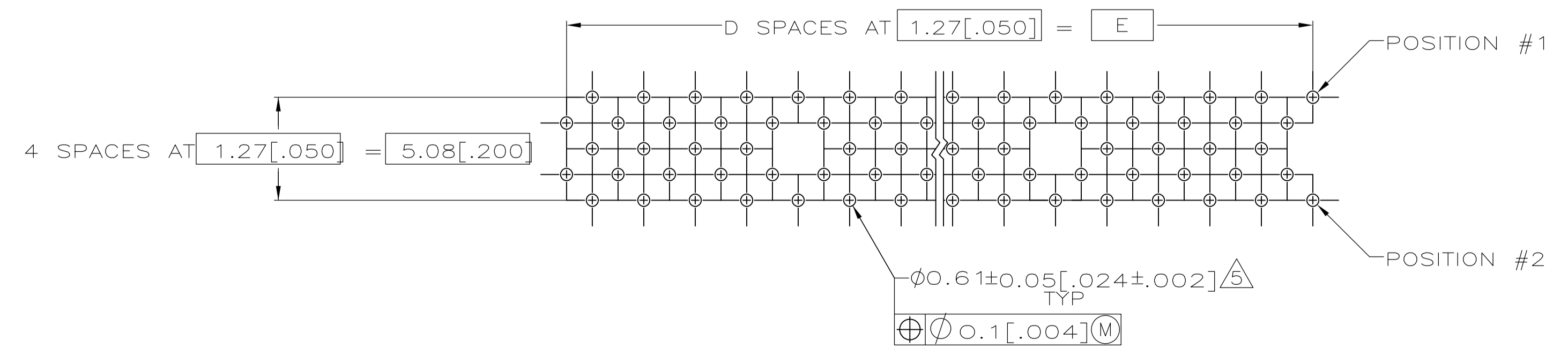
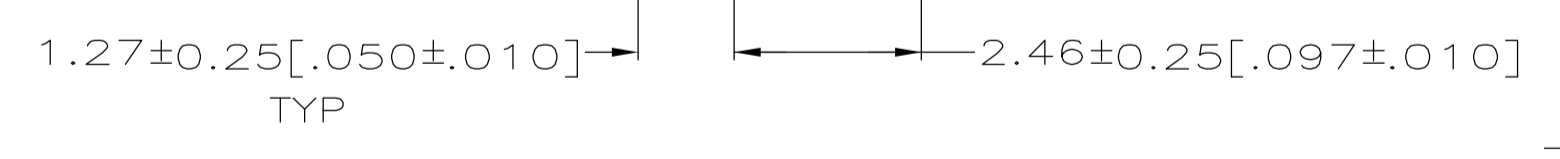
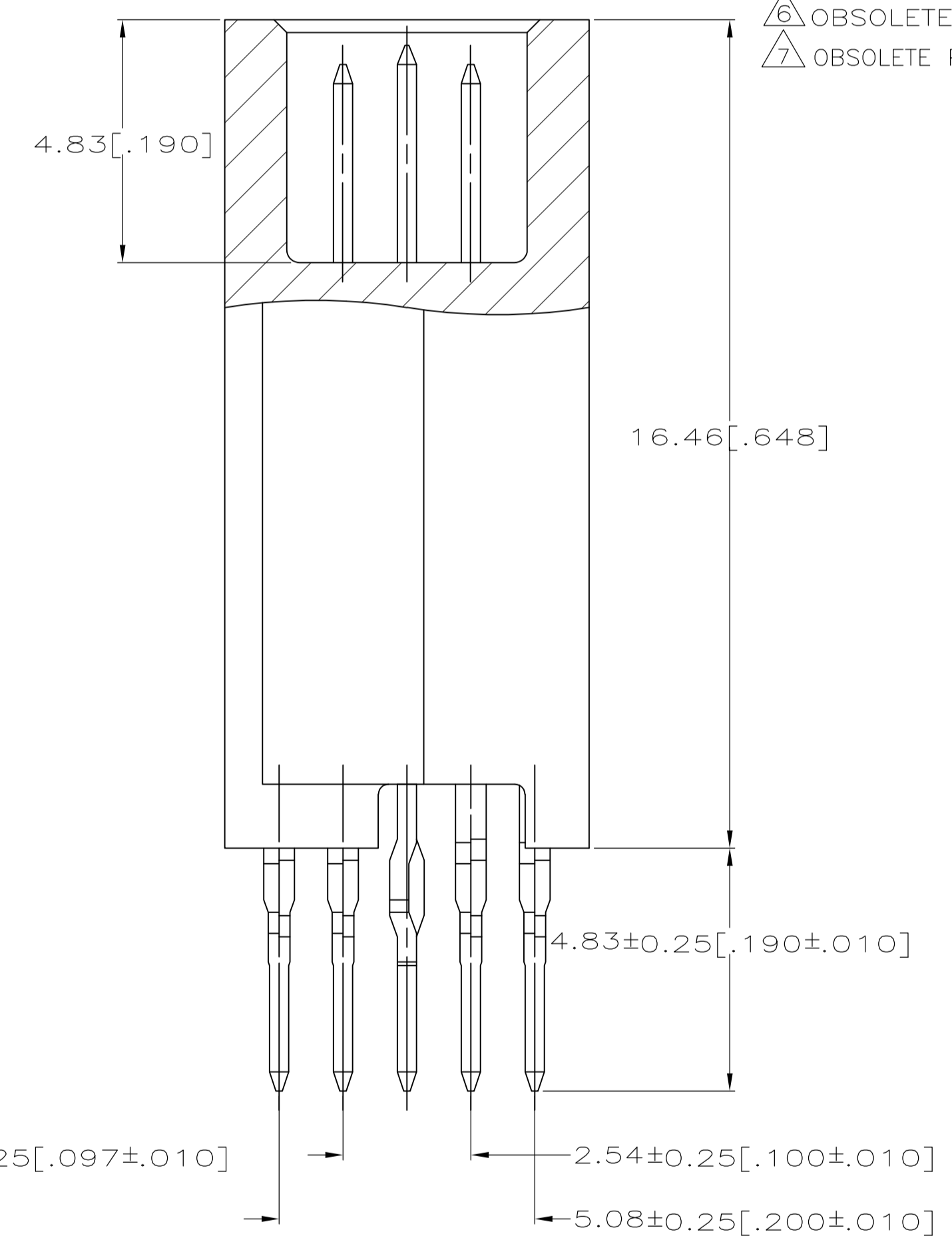
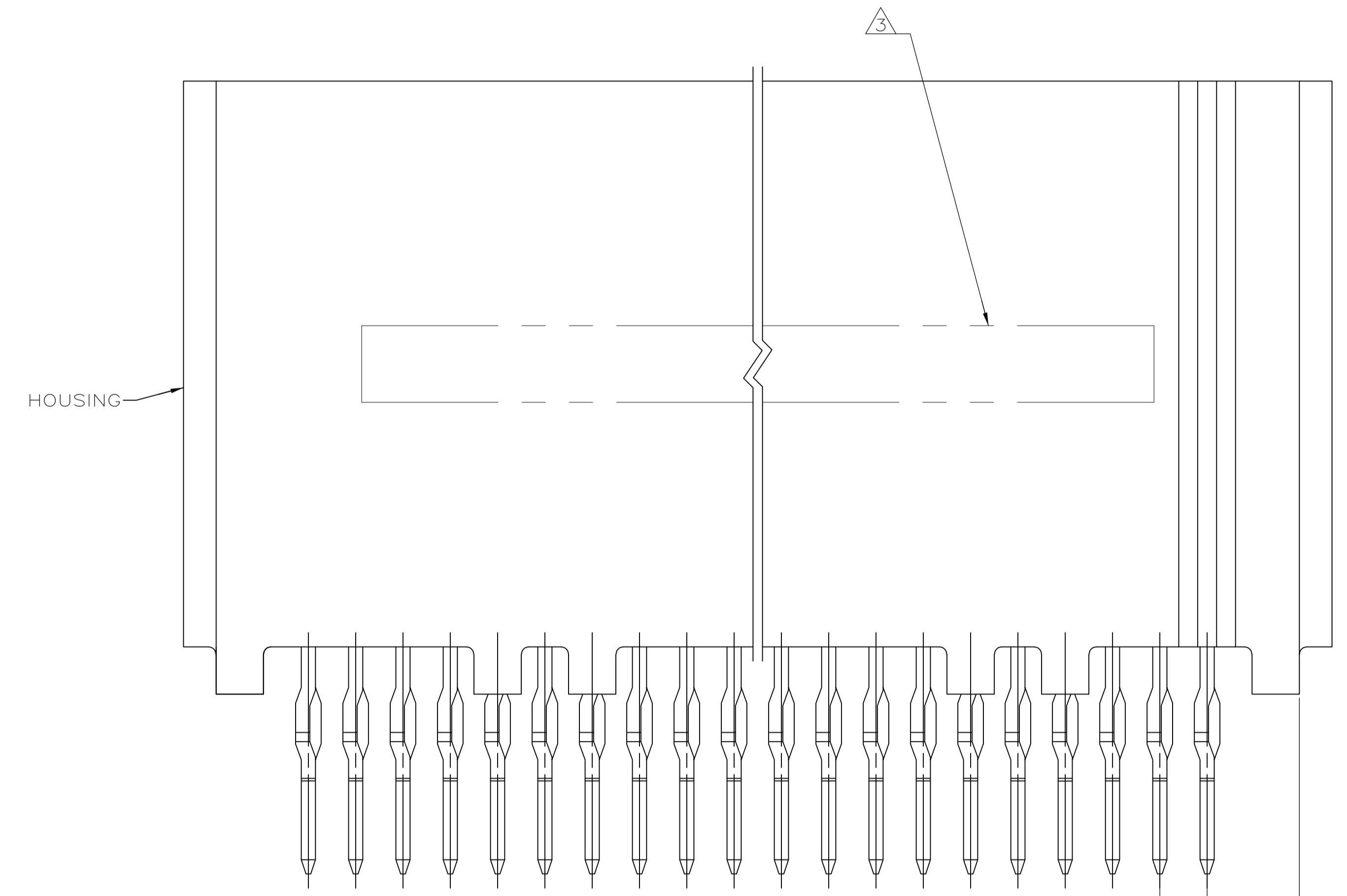


REVISIONS					
P	LTR	DESCRIPTION	DATE	DMN	APVD
B		REVISED PER ECO-16-010704	20JUL2016	SY	SY



- ① HOUSING: HIGH TEMPERATURE THERMOPLASTIC, COLOR NATURAL OR LIGHT NATURAL.
PIN CONTACTS: PHOSPHOR BRONZE.
GROUND BUSSES: PHOSPHOR BRONZE.
- ② PIN CONTACTS: 0.00076[.000030] MIN GOLD IN CONTACT AREA, 0.00063-0.00191[.000025-.000075] TIN-LEAD ON SOLDER TAIL, ALL OVER 0.00127-0.00254[.000050-.000100] NICKEL ON ENTIRE CONTACT.
GROUND BUSSES: 0.00076[.000030] MIN GOLD IN CONTACT AREA, 0.00063-0.00191[.000025-.000075] TIN-LEAD ON SOLDER TAIL, ALL OVER 0.00127-0.00254[.000050-.000100] NICKEL ON ENTIRE BUS.
- ③ AMP AND DATE CODE MARKED IN AREA INDICATED, ON SAME SIDE AS POSITION NUMBER 2 INDICATOR.
- ④ ONE GROUND BUS WITH 4 TAILS PER EACH 20 PIN CONTACTS.
- ⑤ 0.701[.0276] DIA HOLE, PLATE WITH 0.0076-0.0254[.00030-.00100] TIN-LEAD OVER 0.025-0.038[.0010-.0015] COPPER, 0.61±0.05[.024±.002] DIA HOLE AFTER PLATING.
- ⑥ OBSOLETE
- ⑦ OBSOLETE PARTS: OBSOLETE CIS STREAMLINING PER D.RENAUD/D.SINISI



RECOMMENDED PC BOARD HOLE LAYOUT (VIEWED FROM CONNECTOR SIDE)

⑥	125.73[4.950]	99	128.22[5.048]	130.81[5.150]	132.44[5.214]	200	149014-9
⑥	113.03[4.450]	89	115.52[4.548]	118.11[4.650]	119.74[4.714]	180	149014-8
⑥	100.33[3.950]	79	102.82[4.048]	105.41[4.150]	107.04[4.214]	160	149014-7
⑦ OBSOLETE	87.63[3.450]	69	90.12[3.548]	92.71[3.650]	94.34[3.714]	140	149014-6
⑥	74.93[2.950]	59	77.42[3.048]	80.01[3.150]	81.64[3.214]	120	149014-5
⑥	62.23[2.450]	49	64.72[2.548]	67.31[2.650]	68.94[2.714]	100	149014-4
⑥	49.53[1.950]	39	52.02[2.048]	54.61[2.150]	56.24[2.214]	80	149014-3
⑥	36.83[1.450]	29	39.32[1.548]	41.91[1.650]	43.54[1.714]	60	149014-2
⑥	24.13[.950]	19	26.62[1.048]	29.21[1.150]	30.84[1.214]	40	149014-1
	E	D	C	B	A	NO OF POS	PART NUMBER

THIS DRAWING IS A CONTROLLED DOCUMENT.

DIMENSIONS: mm

TOLERANCES UNLESS OTHERWISE SPECIFIED:

0. PLC	± -
1. PLC	± -
2. PLC	± -
3. PLC	± -
4. PLC	± 0.13[.005]
ANGLES	± -

MATERIAL: ①

FINISH: ②

THIS DRAWING IS A CONTROLLED DOCUMENT.

DIN J. GERACE 1-23-95

CIK P. MATAR 1-23-95

APVD A. MONK 1-23-95

NAME: PLUG ASSEMBLY, 18.75 STACK, 4.83 ACTION PIN TAIL BTB, MICROSTRIP

PRODUCT SPEC: 108-1272

APPLICATION SPEC: 114-11005

WEIGHT: 0.000000

CUSTOMER DRAWING

SCALE: 10:1

SHEET: 1 OF 1

REV: B

STE TE Connectivity